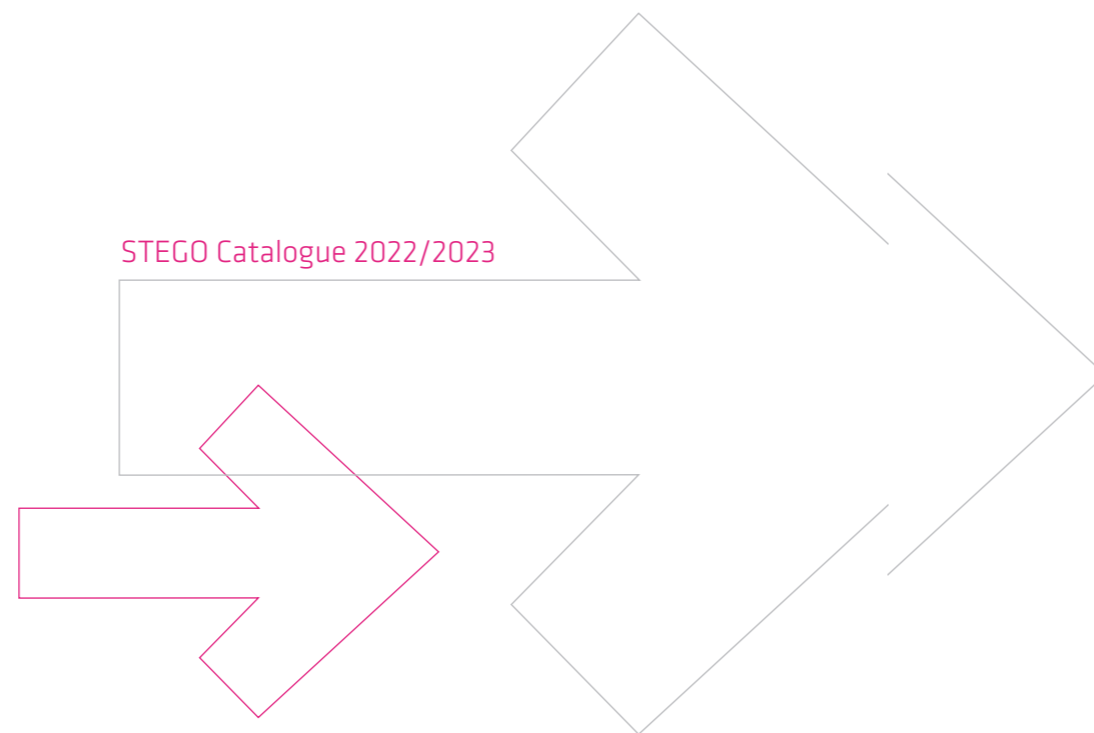




# INNOVATION

FOR PERFECT THERMAL  
MANAGEMENT WORLDWIDE





STEGO Catalogue 2022/2023

# Global presence in Thermal Management



This catalogue contains the full range of STEGO products for protection of electronic components. You will discover why STEGO products are perfectly suitable for the needs of professional users and how easy it is to obtain them worldwide – wherever you are out to succeed.



# COMPANY

## INNOVATION MADE IN GERMANY

We have been developing and producing innovative products for perfect thermal management for over 40 years in Schwäbisch Hall, Germany.

## STEGO:

## SAFETY IS WHAT DRIVES US

STEGO products are used in all places where sensitive electronic components must be protected from humidity and other climatic influences. Heating elements, regulators, fans and STEGO accessories help you to optimise operating conditions and to reach maximum protection for your installations. So that you can be sure of lasting success!

## PERFECT THERMAL MANAGEMENT

Since it was founded in 1980, STEGO Elektrotechnik in Schwäbisch Hall, Germany, has been developing, producing and selling an ever-growing range of products for the protection of electric and electronic components. All STEGO products are aimed at reaching optimum climatic conditions in the most varied environments, ensuring that all sensitive components work reliably at all times.

Tried and tested temperature and humidity control systems ensure these optimised climatic conditions. If temperature and/or humidity are too low or too high, the necessary countermeasure is immediately initiated, for example a heater is turned on or a filter fan circulates cool air. A diversity of conditions such as the change from day to night, or particularly warm or cold regions, make climatisation an ever-increasing and challenging task. To meet this challenge, STEGO offers everything that is needed to protect sensitive components from corrosion and malfunction.

## WORLDWIDE SERVICE SUPPORTING QUALITY WORLDWIDE

STEGO's thermal management solutions are exported internationally and find use in the most diverse areas of application and climatic conditions. STEGO maintains an on-going exchange with partners and customers from many branches of industry in order to develop innovative products meeting the demands of the market. This close contact enables STEGO to incorporate market requirements from experts directly into our product design. As part of this global cooperation valuable know-how is permanently exchanged, thus strengthening the competence of our designers beyond local market knowledge. The continuous flow of information not only increases the quality of STEGO products, but also the final products our customers bring onto the market. STEGO believes in sustainability, acts in an environmentally-friendly manner and is quality-oriented. The company is DIN EN ISO 9001:2018 and 14001:2018 certified and has introduced the Six Sigma method to improve quality management. Furthermore STEGO meets the requirements of the new health & safety management standard for workplaces - ISO 45001. STEGO is now represented at 10 locations, one sales office in China and by more than 1500 sales partners worldwide.



## PRODUCT SAFETY

The necessity for the safety of electrical devices has always been priority. STEGO continuously invests in product certifications by national and international testing authorities, who test and mark the products according to product safety requirements.

## VDE

The VDE Testing and Certification Institute (Verband Deutscher Elektrotechnik) is an authority accredited in Germany but also internationally renowned, which ensures that products comply with applicable standards in terms of safety, quality, health and environmental protection, etc. VDE certified products are subject to factory inspections, manufacturing supervision, as well as product inspections. Depending on classification, our products carry the following VDE marks:



VDE Mark  
(electro-technical products)



VDE GS Mark  
(technical working equipment)



VDE Registration Number  
(factory surveillance for electro-technical products)



ENEC Mark of VDE  
(safety mark for the European market)

## UL

The operation of STEGO products in the US and Canada requires a safety approval by a North American authority due to stricter product liability laws and safety guidelines that deviate from the European IEC standard. The UL mark is the most accepted proof that a product meets applicable safety requirements, not only in the US and Canada but also in many other international markets, as well as in Europe. Underwriter Laboratories (UL) is one of the most recognized product testing and certification organisations today.



## EAC

The distribution of electro-technical products within the territory of the Eurasian Economic Union (EAWU) requires EAC labeling. The Eurasian Conformity label indicates that the product complies with applicable safety requirements in the EAWU.



## CCC/CQC

In the People's Republic of China the CCC mark (China Compulsory Certification) is the applicable standard for products that are subject to certification, which can then be imported, sold and used in business activities in China. Most STEGO products are not required to be certified. Only our products in the categories "Lighting" and "Ex-Protection" must be CCC-certified. CQC is the non-mandatory counterpart to the CCC mark. CQC is provided for individual product categories to simplify their use in China.



## CE/UKCA

The CE mark is considered „Key to the European market“. It indicates that a product complies with applicable EU laws. It is not a test mark by an authority, but a self-declaration by the manufacturer. With this mark, the manufacturer documents that a marked product complies with all relevant European directives and national laws for product safety and that it has undergone required conformity assessment procedures. With the beginning of 2022, the UK will have UKCA as its variation of the CE mark, due to its secession from the EU.



## EXPLOSION PROTECTION

Our Ex heaters and thermostats that find use in hazardous areas, such as the chemical, petrochemical and pharmaceutical industry, oil and gas production, mining, etc. are subject to special requirements. The requirements for explosion protection are legally anchored in the ATEX Directive 2014/34/EU of the European Union and the basis for the certification of our Ex products.

Our products are also internationally approved within the scope of a certification process according to IEC standards by an ExCB (Ex Certification Body).



# CONTENT

## COMPANY STEGO 4

## HEATING 13

Catridge Heater RCE 016   5 W, 9 W.....	14
Flat Enclosure Heater RC 016   8 W, 10 W, 13 W .....	15
Enclosure Heater LTS 064   20 W to 40 W.....	16
Enclosure Heater CSK 060   10 W, 20 W, 30 W.....	17
Enclosure Heater LPS 164   10 W to 50 W.....	18
Enclosure Heater HGK 047   10 W to 30 W .....	19
Enclosure Heater LT 065   50 W to 150 W.....	20
Enclosure Heater CS 060   50 W to 150 W .....	21
Enclosure Heater LTF 065   50 W to 150 W.....	22
Enclosure Heater CSF 060   50 W to 150 W.....	23
Enclosure Heater LP 165   60 W to 150 W.....	24
Enclosure Heater HG 140   15 W to 150 W.....	25
Flat Enclosure Heater CP 061   50 W, 100 W.....	26
Enclosure Heater with Fan HV 031 / HVL 031   100 W to 400 W.....	27
Enclosure Heater with Fan HGL 046   250 W, 400 W.....	28
Enclosure Heater with Fan CR 027   up to 650 W .....	29
Enclosure Heater with Fan CS 028 / CSL 028   150 W to 400 W.....	30
Enclosure Heater CSF 028   250 W, 400 W.....	32
Enclosure Heater HVI 030   500 W to 700 W.....	34
Enclosure Heater with Fan HVI 030   500 W to 700 W.....	35
Enclosure Heater with Fan CR 030   950 W.....	36
Enclosure Heater with Fan CR 130   950 W.....	37
Enclosure Heater with Fan CS 032 / CSF 032   1,000 W.....	38
Enclosure Heater with Fan CS 030   1,200 W.....	40
Enclosure Heater with Fan CS 130   1,200 W.....	41
Enclosure Heater with Fan DCR 030   DC 24 V, DC 56 V – 200 W to 800 W.....	42
Enclosure Heater with Fan DCR 130   DC 24 V, DC 56 V – 200 W to 800 W .....	44
Explosion-proof Enclosure Heater CREx 020   50 W to 250 W (T3).....	46
Explosion-proof Enclosure Heater CREx 020   50 W to 200 W (T4).....	47
Explosion-proof Enclosure Heater CREx 020   50 W, 100 W (T5).....	48

## COOLING 49

„Filter Fan Plus“ Principle.....	50
Filter Fan Plus FPI/FPO 018   up to 32 m <sup>3</sup> /h (92 x 92 mm).....	52
Filter Fan Plus FPI/FPO 018   up to 117 m <sup>3</sup> /h (124 x 124 mm).....	54
Filter Fan Plus FPI/FPO 018   up to 313 m <sup>3</sup> /h (176 x 176 mm).....	56
Filter Fan Plus FPI/FPO 018   up to 581 m <sup>3</sup> /h (223 x 223 mm).....	58
Filter Fan Plus FPI/FPO 018   up to 1031 m <sup>3</sup> /h (291 x 291 mm).....	60
Filter Fan Plus FPI/FPO 018 – DC Line   up to 33 m <sup>3</sup> /h (92 x 92 mm).....	62
Filter Fan Plus FPI/FPO 018 – DC Line   up to 125 m <sup>3</sup> /h (124 x 124 mm).....	64
Filter Fan Plus FPI/FPO 018 – DC Line   up to 277 m <sup>3</sup> /h (176 x 176 mm).....	66
Hose-Proof Hood FFH 086   IP56 .....	68
Roof Filter Fan RFP 018   345 m <sup>3</sup> /h, 575 m <sup>3</sup> /h.....	69
Fan Tray LE 019.....	70

We offer calculation modules on our websites ([www.stego.de](http://www.stego.de), etc.) helping you to determine the required heating or cooling performance for an application. You will also find there latest news, as well as further information about STEGO.

## REGULATING 71

Thermostat Switch KTO 111 / KTS 111.....	72
Thermostat Switch STO 011 / STS 011.....	73
Tamper-proof Thermostat (Pre-set) FTO 011 / FTS 011.....	74
Dual Thermostat ZR 011.....	75
Tamper-proof Dual Thermostat (Pre-set) FTD 011.....	76
Mechanical Thermostat FZK 011.....	77
Electronic Thermostat ETR 011.....	78
Mechanical Hygrostat MFR 012.....	79
Electronic Hygrostat EFR 012.....	80
Electronic Hygrotherm ETF 012.....	81
Electronic Thermostat DC-Line DCT 010   DC 20 to 56 V.....	82
Electronic Hygrostat DC-Line DCF 010   DC 20 to 56 V.....	83
Switch Module DC-Line DCM 010   DC 20 to 56 V.....	84
Explosion-proof Thermostat REX 011   15 °C, 25 °C (T6).....	85

## MEASURING 87

Smart Sensor Digital CSS 014   IO-Link, DC 24 V.....	88
Smart Sensor Analog CSS 014   DC 24 V.....	89
Distance Sensor DSS 015   IO-Link, DC 24 V.....	90
Sensor Hub & Sensors SHC 071   IO-Link, DC 24 V, 4 Sensor Ports .....	91
Actuator Hub AHC 072   IO-Link, DC 24 V, 3 Relais Outputs.....	94

## LIGHTING 95

LED Enclosure Lamp LED 021/022.....	96
LED Enclosure Lamp LED 121/122.....	98
LED Enclosure Lamp LED 025   Ecoline .....	101
LED Enclosure Lamp LED 025 .....	102
Enclosure Lamp with energy-saving bulb SL 025   on/off Switch.....	104
Enclosure Lamp with energy-saving bulb SL 025   movement sensor.....	105

## ACCESSORIES 107

Electrical Socket SD 035.....	108
Pressure Compensation Device DA 084   IP55.....	109
Pressure Compensation Device DA 284 Snap-in   IP66.....	110
Pressure Compensation Device DA 284   IP66 / IP67.....	111
Pressure Compensation Device (Stainless Steel/Aluminium) DA 284   IP66 / IP67.....	112
Drainage Device DD 084   IP66 / IP67 / IP69K.....	113

## LOCATIONS 114

Indication of measurements in mm. Errors and omissions excepted. Specifications are subject to change without notice. Suitability of the products for their intended use and any associated risks must be determined by the end customer/buyer in their final application. Up-to-date versions of all technical data sheets in pdf-format can be found in the Internet on [www.stego.de](http://www.stego.de), [www.stego.co.uk](http://www.stego.co.uk) or [www.stegonorden.se](http://www.stegonorden.se) for download.

### **PROTECTION AGAINST FROST AND CONDENSATION**

Optimised temperatures are of utmost importance in switch cabinets: STEGO heaters and fan heaters prevent dangerously low temperatures and ensure equal distribution of warm air.

---

# HEATING

### **PROTECTION AGAINST OVERHEATING**

To protect installations from excessively high temperatures STEGO filter fans ensure efficient cooling by circulating air.

---

# COOLING

### **CONSTANT REGULATING**

STEGO's temperature and humidity control systems perfect operating conditions for electric and electronic installations and therefore safeguard their performance.

---

# REGULATING

### **MEASURE SMART**

Smart sensors from STEGO record environmental conditions within enclosures, but also beyond, digitally and analogue.

---

# MEASURING

### **IDEAL LIGHTING SOLUTIONS**

Our lighting solutions ensure that maintenance on electronic installations can be carried out night and day.

---

# LIGHTING

### **COMPLEMENTARY ELECTRONICS PROTECTION**

Accessory products from STEGO expand the climatisation portfolio appropriately and offer more specific solutions for individual needs.

# ACCESSORIES



## CARTRIDGE HEATER

RCE 016 | 5 W, 9 W



> Wide voltage range  
> Dynamic heating up

> Energy saving  
> Compact

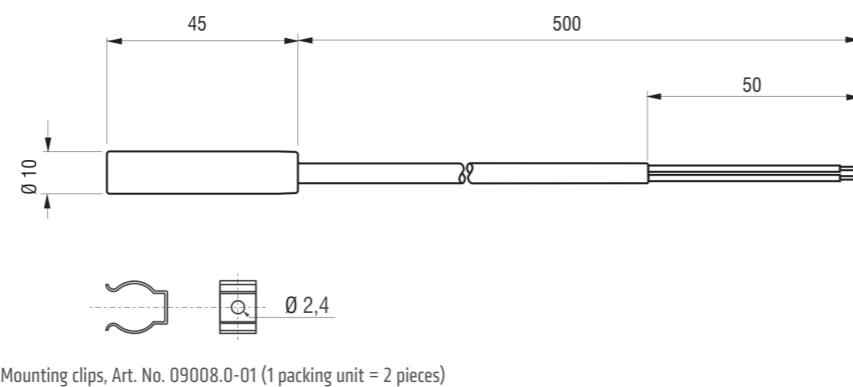
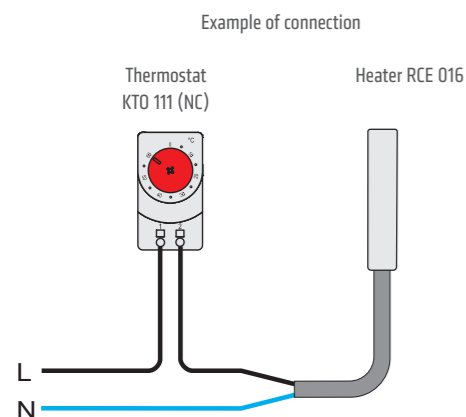
Small heaters designed to prevent condensation and to ensure a minimum operating temperature in small enclosures. The heaters are designed for permanent operation.



### TECHNICAL DATA

Operating voltage	AC/DC 120 – 240 V <sup>1</sup> (min. 110 V, max. 265 V)
Heating element	PTC resistor, temperature limiting
Heater body	aluminium
Mounting	see Accessories
Fitting position	variable
Dimensions	length 45 mm, Ø 10 mm
Operating/Storage temperature	-45 to +70 °C (-49 to +158 °F)
Operating/Storage humidity	< 90 % RH (non-condensing)
Protection type/Protection class	IP54 / II (double insulated)
Approvals	VDE, UL File No. E234324, EAC
Accessories	mounting clips (see illustration), Art. No. 09008.0-01
Note	other voltages on request

<sup>1</sup> Operating with voltages below AC/DC 140 V reduces heating performance by approx. 10 %.



Art. No.	Heating capacity <sup>2</sup>	Inrush current max.	Recommended pre-fuse T (time-delay)	Surface temperature (approx.)	Connection	Weight (approx.)
01622.0-00	5 W	2.0 A	2.0 A	+165 °C	2 x AWG 22 cable (silicone)	20 g
01623.0-00	9 W	2.5 A	4.0 A	+175 °C	2 x AWG 22 cable (silicone)	20 g

<sup>2</sup> at +20 °C (+68 °F) ambient temperature

## FLAT ENCLOSURE HEATER

RC 016 | 8 W, 10 W, 13 W



> Wide voltage range  
> PTC resistor heats up dynamically

> High heating output per volume  
> Compact dimensions

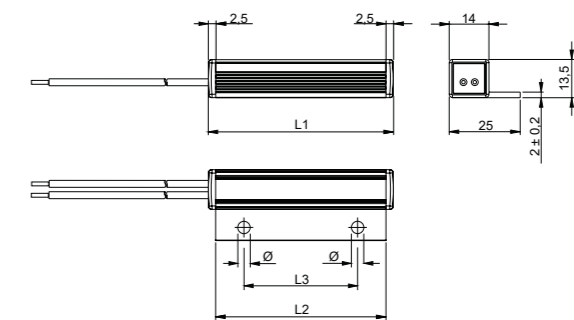
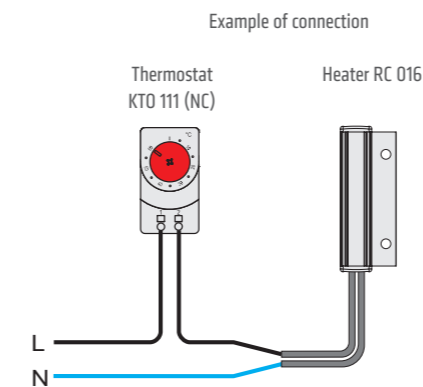
Small enclosure heaters as the RC 016 are used to evenly distribute heat within compact enclosures thereby protecting electronic components from harmful condensation. Used as a convection heater, the RC 016 heats up the immediate ambient air. When used as a contact heater, a surface connection with the component to be heated or the enclosure housing is necessary. This compact heater is designed for continuous operation. The unique design of its clamping increases its longevity due to the minimisation of load through thermal cycles.



### TECHNICAL DATA

Operating voltage	AC/DC 120 – 240 V <sup>1</sup> (min. 110 V, max. 265 V)
Heating element	PTC resistor – temperature limiting
Heater body	aluminium, anodised
Surface temperature	< +180 °C (+356 °F)
Connection	2 x AWG 20 stranded wire, 300 mm (±8)
Mounting	screw fixing
Fitting position	variable
Operating temperature	VDE: -45 to +70 °C (-49 to +158 °F) UL: -45 to +40 °C (-49 to +104 °F)
Storage temperature	-45 to +70 °C (-49 to +158 °F)
Operating/Storage humidity	< 90 % RH (non-condensing)
Protection type/Protection class	IP40 / II (double insulated)
Approvals	VDE, UL File No. E234324, EAC
Note	other voltages on request

<sup>1</sup> Operating with voltages below AC/DC 140 V reduces heating performance by approx. 10 %.



Art. No.	Heating capacity <sup>2</sup>	Inrush current max.	Recommended pre-fuse T (time-delay)	Dimensions				Weight (approx.)
				L1	L2	L3	Ø	
01651.0-00	8 W	2.0 A	2.0 A	35 mm	30 mm	18 mm	3,2 mm	20 g
01662.0-00	10 W	2.5 A	4.0 A	55 mm	50 mm	30 mm	4,5 mm	30 g
01673.0-00	13 W	3.0 A	4.0 A	65 mm	60 mm	40 mm	4,5 mm	40 g

<sup>2</sup> at +20 °C (+68 °F) ambient temperature



## ENCLOSURE HEATER

LTS 064 | 20 W to 40 W



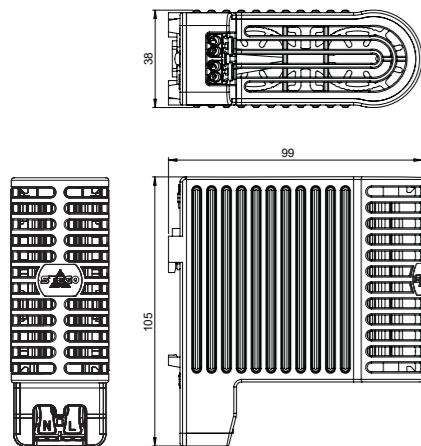
- > Clip fixing and pressure clamp for quick mounting
- > Low surface temperature
- > Earthed plastic casing
- > Wide voltage range
- > Safe and stable performance under stressful conditions
- > Shock and vibration proof

Compact heater for the protection of electrical and electronic components in enclosures. Its design ensures good self-convection, effecting in high warm air flow. A touch-safe plastic cover provides for low surface temperatures on the side of the device. The practical push-in clamping terminal enables quick and easy electrical connection. The heaters are designed for continuous operation.

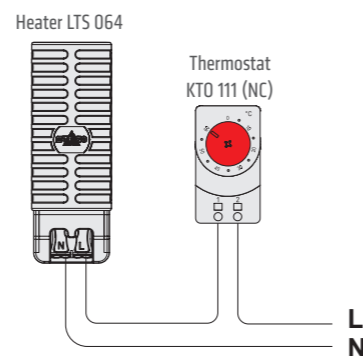


## TECHNICAL DATA

Operating voltage	AC/DC 120 –240 V (min. 110 V, max. 265 V)
Heating element	PTC resistor – temperature limiting
Surface temperature	< +80 °C (+176 °F), except upper protective grille
Connection	2 x pressure clamps for stranded wire 0.5 - 1.5 mm <sup>2</sup> (with wire end ferule) and rigid wire 0.5 – 2.5 mm <sup>2</sup>
Casing	plastic according to UL94 V-0, black and white
Dimensions	105 x 38 x 99 mm
Mounting	clip for 35 mm DIN rail, EN 60715
Fitting position	vertical airflow (air outlet up, connection on bottom)
Operating/Storage temperature	-45 °C to +70 °C (-49 °F to +158 °F)
Operating/Storage humidity	< 90 % RH (non-condensing)
Protection type/Protection class	IP20 / II (double insulated)
Approvals	VDE UL File No. E234324 EAC DIN EN 60068-2-27:2010-02 DIN EN 60068-2-64:2009-04 in connection with DIN EN IEC 61373:2011-04, Cat. 1 B
Note	other voltages on request



Example of connection



Art. No.	Heating capacity <sup>1</sup>	Inrush current max.	Recommended pre-fuse T (time-delay)	Weight (approx.)
06401.0-00	20 W	2.0 A	4.0 A	0.2 kg
06402.0-00	30 W	2.0 A	4.0 A	0.2 kg
06403.0-00	40 W	4.0 A	6.0 A	0.2 kg

<sup>1</sup> at +20 °C (+68 °F) ambient temperature

## ENCLOSURE HEATER

CSK 060 | 10 W, 20 W, 30 W



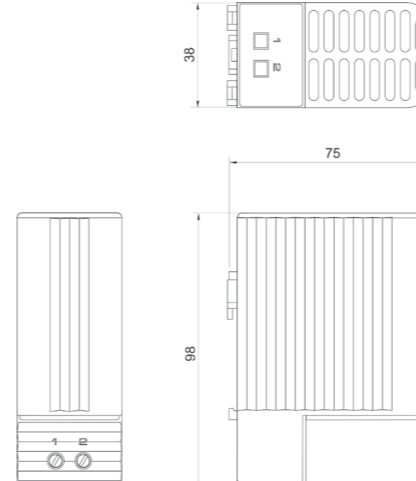
- > Low surface temperature
- > Double insulated (plastic housing)
- > Wide voltage range
- > Dynamic heating up
- > Clip fixing

The heaters are used in enclosures where condensation is to be prevented or the temperature may not fall below a minimum value. In this way corrosion is avoided and an even temperature is ensured. The heaters are designed for permanent operation.

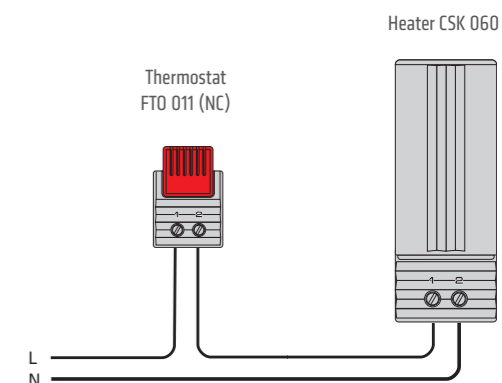


## TECHNICAL DATA

Operating voltage	AC/DC 120 –240 V <sup>1</sup> (min. 110 V, max. 265 V)
Heating element	PTC resistor – temperature limiting
Surface temperature	< +85 °C (+185 °F) (according to VDE 0100), except upper protective grille
Connection	2-pole terminal 2.5 mm <sup>2</sup> , torque 0.8 Nm max.
Casing	plastic according to UL94 V-0, black
Dimensions	98 x 38 x 75 mm
Mounting	clip for 35mm DIN rail, EN 60715
Fitting position	vertical airflow (air outlet up, connection on bottom)
Operating/Storage temperature	-45 °C to +70 °C (-49 °F to +158 °F)
Operating/Storage humidity	< 90 % RH (non-condensing)
Protection type/Protection class	IP20 / II (double insulated)
Approvals	VDE, UL File No. E150057, EAC
Note	other voltages on request

<sup>1</sup> Operating with voltages below AC/DC 140 V reduces heating performance by approx 10 %.

Example of connection



Art. No.	Heating capacity <sup>2</sup>	Inrush current max.	Recommended pre-fuse T (time-delay)	Weight (approx.)
06040.0-00	10 W	1.0 A	2.0 A	0.2 kg
06030.0-00	20 W	2.5 A	4.0 A	0.3 kg
06050.0-00	30 W	2.5 A	4.0 A	0.3 kg

<sup>2</sup> at +20 °C (+68 °F) ambient temperature

## ENCLOSURE HEATER

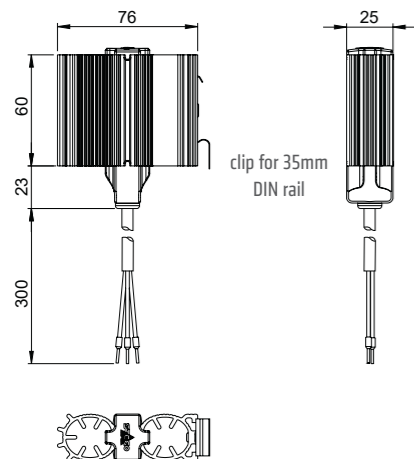
LPS 164 | 10 W to 50 W



- > Clip fixing for quick mounting
- > Dynamic heating up through PTC technology

- > Wide voltage range
- > Additional approvals

Compact heater with PTC heating elements for heating enclosures with electrical or electronic components. The heater prevents too low temperatures and thus condensation harming the components. The design of the aluminium profile creates a chimney effect, which ensures even temperature distribution within the enclosure. The heaters are designed for continuous operation.

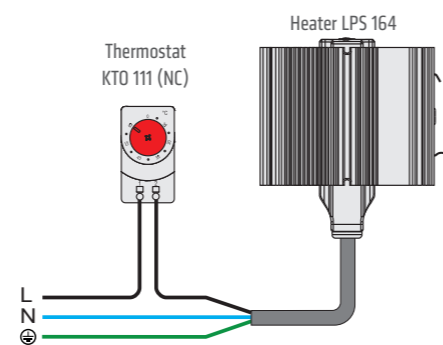


## TECHNICAL DATA

Operating voltage	AC/DC 120-240 V (min. 110 V, max. 265 V)
Heating element	PTC resistor - temperature limiting
Heater body	aluminium profile, anodised
Connection	3 x 0.5 mm <sup>2</sup> x 300 mm cable
Dimensions	83 x 25 x 76 mm
Mounting	clip for 35 mm DIN rail, EN 60715
Fitting position	vertical airflow (air outlet up, connection on bottom)
Weight	~ 0.2 kg
Operating/Storage temperature	-45 to +70 °C (-49 to +158 °F)
Operating/Storage humidity	< 90 % RH (non-condensing)
Protection type/Protection class	IP20 / I (earthed)
Note	other voltages on request



Example of connection

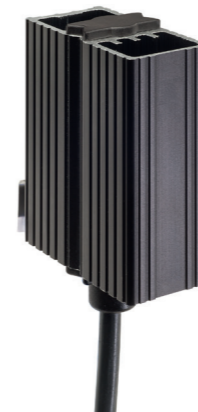


Art. No.	Heating capacity <sup>1</sup>	Inrush current max.	Recommended pre-fuse T (time-delay)	Approvals
16400.0-00	10 W	2.0 A	4.0 A	VDE EAC
16401.0-00	20 W	2.0 A	4.0 A	VDE EAC
16402.0-00	30 W	2.0 A	4.0 A	VDE EAC
16403.0-00	40 W	4.0 A	6.0 A	VDE EAC
16404.0-00	50 W	4.0 A	6.0 A	VDE EAC
16400.9-00	10 W	2.0 A	4.0 A	UL <sup>2</sup> EAC
16401.9-00	20 W	2.0 A	4.0 A	UL <sup>2</sup> EAC
16402.9-00	30 W	2.0 A	4.0 A	UL <sup>2</sup> EAC
16403.9-00	40 W	4.0 A	6.0 A	UL <sup>2</sup> EAC
16404.9-00	50 W	4.0 A	6.0 A	UL <sup>2</sup> EAC

<sup>1</sup> measured at +20 °C (+68 °F) ambient temperature; <sup>2</sup> according to UL 508 A, File No. E234324

## ENCLOSURE HEATER

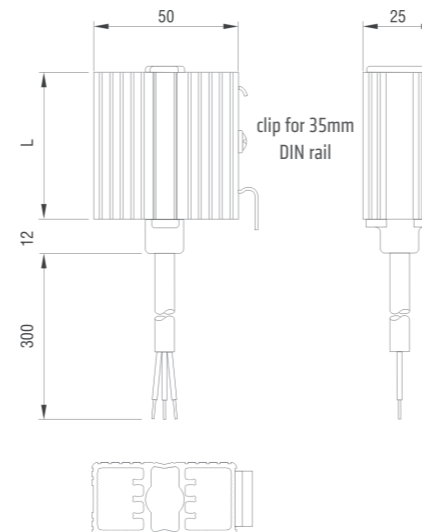
HGK 047 | 10 W to 30 W



- > Dynamic heating up through PTC technology
- > Energy saving

- > Wide voltage range
- > Clip fixing

The heaters are used in enclosures where condensation is to be prevented or the temperature may not fall below a minimum value. In this way corrosion is avoided and an even temperature is ensured. The heaters are designed for permanent operation.

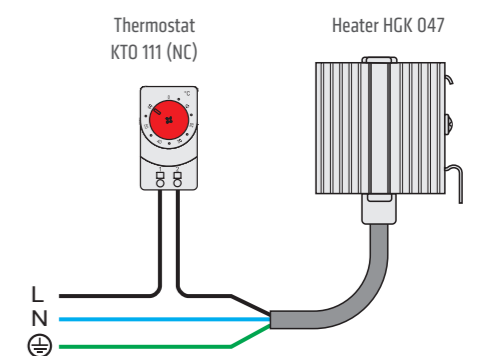


## TECHNICAL DATA

Heating element	PTC resistor - temperature limiting
Heater body	extruded aluminium profile, anodised
Mounting	clip for 35mm DIN rail, EN 60715
Fitting position	vertical airflow (air outlet up, connection on bottom)
Operating/Storage temperature	-45 to +70 °C (-49 to +158 °F)
Operating/Storage humidity	< 90 % RH (non-condensing)
Protection type/Protection class	IP44 / I (earthed)
Accessoires	screw fixing, Art. No. 09024.0-00 (1 packing unit = 2 pieces)
Note	other voltages on request



Example of connection



Art. No.	Operating voltage	Heating capacity <sup>1</sup>	Inrush current max.	Recommended pre-fuse T (time-delay)	Length (L)	Weight (approx.)	Connection	Approvals
04700.0-00	AC/DC 120 - 240 V <sup>2</sup>	10 W	1.0 A	2.0 A	52 mm	0.1 kg	3 x 0.5 mm <sup>2</sup> x 300 mm cable (silicone)	VDE EAC
04701.0-00	AC/DC 120 - 240 V <sup>2</sup>	20 W	2.5 A	4.0 A	60 mm	0.2 kg	3 x 0.5 mm <sup>2</sup> x 300 mm cable (silicone)	VDE EAC
04702.0-00	AC/DC 120 - 240 V <sup>2</sup>	30 W	3.0 A	4.0 A	70 mm	0.2 kg	3 x 0.5 mm <sup>2</sup> x 300 mm cable (silicone)	VDE EAC
04700.9-00	AC/DC 120 - 230 V	10 W	1.0 A	2.0 A	52 mm	0.1 kg	3 x AWG 20 x 300 mm cable	UL File No. E150057 EAC
04701.9-00	AC/DC 120 - 230 V	20 W	1.5 A	2.0 A	70 mm	0.2 kg	3 x AWG 20 x 300 mm cable	UL File No. E150057 EAC
04702.9-00	AC/DC 120 - 230 V	30 W	1.5 A	2.0 A	100 mm	0.2 kg	3 x AWG 20 x 300 mm cable	UL File No. E150057 EAC

<sup>1</sup> at +20 °C (+68 °F) ambient temperature, <sup>2</sup> (min. 110 V, max 265 V) Operating with voltages below AC/D 140 V reduces heating performance by approx. 10 %.

## ENCLOSURE HEATER

LT 065 | 50 W to 150 W



- > Clip fixing and pressure clamp for quick mounting
- > Low surface temperature
- > Earthed plastic casing
- > Wide voltage range
- > Safe and stable performance under stressful conditions
- > Shock and vibration proof

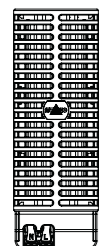
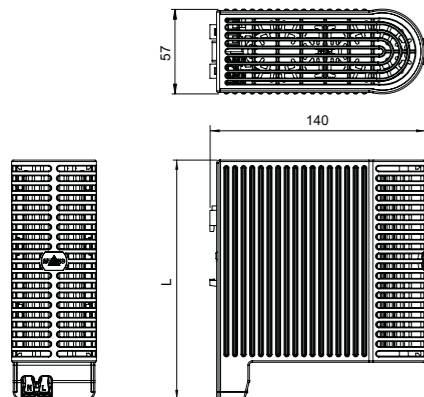
Compact heater for the protection of electrical and electronic components in enclosures. Its design ensures good self-convection, effecting in high warm air flow. A touch-safe plastic cover provides for low surface temperatures on the side of the device. The practical push-in clamping terminal enables quick and easy electrical connection. The heaters are designed for continuous operation. The heater is also available in a version with thermostat (LTF 065 series).



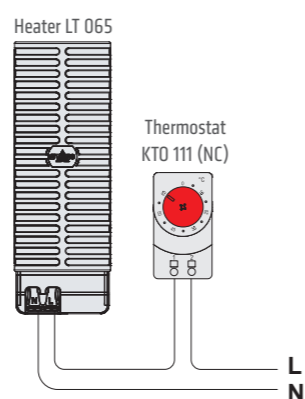
## TECHNICAL DATA

Operating voltage	AC/DC 120 – 240 V (min. 110 V, max. 265 V)
Heating element	PTC resistor – temperature limiting
Surface temperature	< +80 °C (+176 °F), except upper protective grille
Connection	2 x pressure clamps for stranded wire 0.5 - 1.5 mm <sup>2</sup> (with wire end ferule) and rigid wire 0.5 – 2.5 mm <sup>2</sup>
Casing	plastic according to UL94 V-0, black and white
Mounting	clip for 35mm DIN rail, EN 60715
Fitting position	vertical airflow (air outlet up, connection on bottom)
Operating/Storage temperature	-45 °C to +70 °C (-49 °F to +158 °F)
Operating/Storage humidity	< 90 % RH (non-condensing)
Protection type/Protection class	IP20 / II (double insulated)
Approvals	VDE UL File No. E234324 EAC DIN EN 60068-2-27:2010-02 DIN EN 60068-2-64:2009-04 in connection with DIN EN IEC 61373:2011-04, Cat. 1 B

Note other voltages on request



Example of connection



Art. No.	Heating capacity <sup>1</sup>	Inrush current max.	Recommended pre-fuse T (time-delay)	Length (L)	Weight (approx.)
06500.0-00	50 W	4.0 A	6.0 A	101 mm	0.4 kg
06503.0-00	100 W	6.0 A	8.0 A	161 mm	0.75 kg
06504.0-00	150 W	8.0 A	10.0 A	161 mm	0.75 kg

<sup>1</sup> measured at +20 °C (+68 °F) ambient temperature

## ENCLOSURE HEATER

CS 060 | 50 W to 150 W



- > Low surface temperature
- > Quick mounting due to clip fixing
- > Double insulated (plastic)
- > Wide voltage range
- > Small size

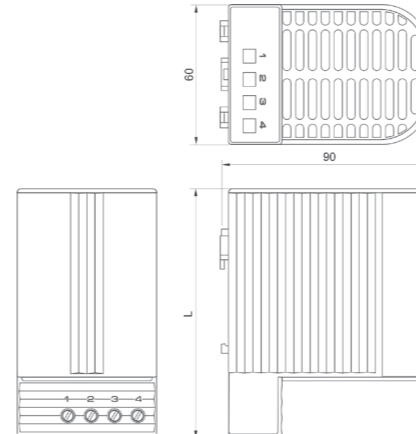
Touch-safe heater for the use in enclosures with electrical/electronic components. The design of the heater supports the natural convection which results in a high air-current of warm air. The surface temperatures on the accessible side surfaces of the housing are kept down as a result of the heater design. Our complete range of thermostats and hygrostats can directly be connected to the heater CS 060. This heater is also available in a version with plug-in thermostat requiring no additional wiring (CSF 060). The heaters are designed for permanent operation.



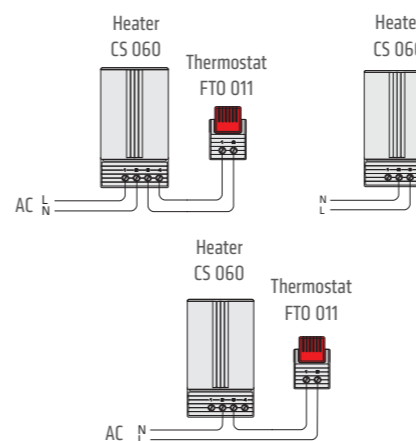
## TECHNICAL DATA

Operating voltage	AC/DC 120 – 240 V <sup>1</sup> (min. 110 V, max. 265 V)
Heating element	PTC resistor – temperature limiting
Surface temperature	< +80 °C (+176 °F), except upper protective grille
Connection	4-pole terminal 2.5 mm <sup>2</sup> , torque 0.8 Nm max.
Casing	plastic according to UL94 V-0, black
Mounting	clip for 35mm DIN rail, EN 60715
Fitting position	vertical airflow (air outlet up, connection on bottom)
Operating/Storage temperature	-45 to +70 °C (-49 to +158 °F)
Operating/Storage humidity	< 90 % RH (non-condensing)
Protection type/Protection class	IP20 / II (double insulated)
Approvals	VDE, UL File No. E150057, EAC
Note	other voltages on request

<sup>1</sup> Operating with voltages below AC/DC 140 V reduces heating performance by approx. 10 %.

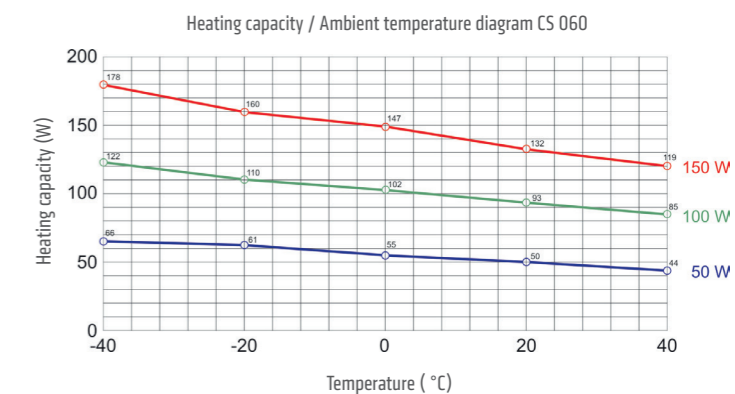


Examples of connection



Art. No.	Heating capacity <sup>2</sup>	Inrush current (max.)	Recommended pre-fuse T (time-delay)	Air outlet temperature <sup>3</sup>	Dimensions	Weight (approx.)
06000.0-00	50 W	2.5 A	4.0 A	+86 °C (+186.8 °F)	110 x 60 x 90 mm	0.3 kg
06010.0-00	100 W	4.5 A	8.0 A	+120 °C (+248 °F)	110 x 60 x 90 mm	0.3 kg
06020.0-00	150 W	8.0 A	10.0 A	+145 °C (+293 °F)	150 x 60 x 90 mm	0.5 kg

<sup>2</sup> ambient temperature – see Heating capacity / ambient temperature diagram; <sup>3</sup> measured 50 mm above protective grille



## ENCLOSURE HEATER

LTF 065 | 50 W to 150 W



- > Clip fixing and pressure clamp for quick mounting
- > Low surface temperature
- > Earthed plastic casing
- > Wide voltage range
- > Integrated thermostat
- > Safe and stable performance under stressful conditions
- > Shock and vibration proof

Compact heater with PTC heating elements for heating enclosures. The heater prevents low temperature and thus condensation. Its aluminium profile is designed to achieve an optimised chimney effect, which ensures even distribution of warm air in the enclosure. The practical push-in clamping terminal enables quick and easy electrical connection. The heaters are laid out for continuous operation.



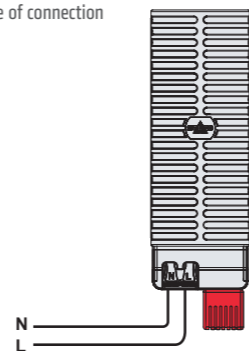
## TECHNICAL DATA

Operating voltage	AC/DC 120-240 V (min. 110 V, max. 265 V)
Heating element	PTC resistor - temperature limiting
Surface temperature	< +80 °C (+176 °F), except upper protective grille
Connection	2 x pressure clamps for stranded wire 0.5 - 1.5 mm <sup>2</sup> (with wire end ferule) and rigid wire 0.5 - 2.5 mm <sup>2</sup>
Casing	plastic according to UL94 V-0, black and white
Mounting	clip for 35mm DIN rail, EN 60715
Fitting position	vertical airflow (air outlet up, connection on bottom)
Operation/Storage temperature	-45 °C to +70 °C (-49 °F to +158 °F)
Operation/Storage humidity	< 90 % RH (non-condensing)
Protection type/Protection class	IP20 / II (double insulated)
Approvals	VDE UL File No. 234324 EAC DIN EN 60068-2-27:2010-02 DIN EN 60068-2-64:2009-04 in connection with DIN EN IEC 61373:2011-04, Cat. 1 B

## Note

other voltages on request  
other switch-off and switch-on temperatures on request

Example of connection



Art. No.	Heating capacity <sup>1</sup>	Inrush current max.	Recommended pre-fuse T (time-delay)	Switch-off temperature <sup>2</sup>	Switch-on temperature <sup>2</sup>	Length (L)	Weight (approx.)
06510.0-00	50 W	4.0 A	6.0 A	+15 °C (+59 °F)	+5 °C (+41 °F)	124 mm	0.4 kg
06513.0-00	100 W	6.0 A	8.0 A	+15 °C (+59 °F)	+5 °C (+41 °F)	184 mm	0.75 kg
06514.0-00	150 W	8.0 A	10.0 A	+15 °C (+59 °F)	+5 °C (+41 °F)	184 mm	0.75 kg
06520.0-00	50 W	4.0 A	6.0 A	+25 °C (+77 °F)	+15 °C (+59 °F)	124 mm	0.4 kg
06523.0-00	100 W	6.0 A	8.0 A	+25 °C (+77 °F)	+15 °C (+59 °F)	184 mm	0.75 kg
06524.0-00	150 W	8.0 A	10.0 A	+25 °C (+77 °F)	+15 °C (+59 °F)	184 mm	0.75 kg

<sup>1</sup> measured at +20 °C (+68 °F) ambient temperature; <sup>2</sup> tolerance ±5 K

## ENCLOSURE HEATER

CSF 060 | 50 W to 150 W



- > Low surface temperature
- > Integrated thermostat
- > Quick mounting due to clip fixing
- > Double insulated (plastic)
- > Wide voltage range
- > Small size

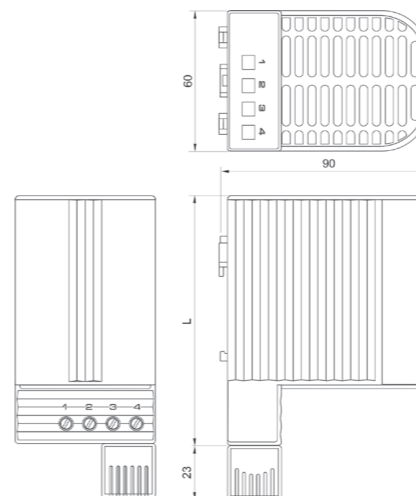
Touch-safe heater for the use in enclosures with electrical/electronic components. The design of the heater supports the natural convection which results in a high air-current of warm air. The surface temperatures on the accessible side surfaces of the housing are kept down as a result of the heater design. This model with plug-in thermostat does not require additional wiring. The heaters are designed for permanent operation. This heater is also available in a version without thermostat (CS 060).



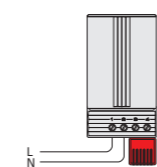
## TECHNICAL DATA

Operating voltage	AC 120 - 240 V <sup>1</sup> (min. 110 V, max. 265 V)
Heating element	PTC resistor - temperature limiting
Surface temperature	< +80 °C (+176 °F), except upper protective grille
Connection	2-pole terminal 2.5 mm <sup>2</sup> , torque 0.8 Nm max.
Casing	plastic according to UL94 V-0, black
Mounting	clip for 35 mm DIN rail, EN 60715
Fitting position	vertical airflow (air outlet up, connection on bottom)
Operating/Storage temperature	-40 to +70 °C (-40 to +158 °F) / -45 to +70 °C (-49 to +158 °F)
Operating/Storage humidity	< 90 % RH (non-condensing)
Protection type/Protection class	IP20 / II (double insulated)
Approvals	VDE, UL File No. E150057, EAC

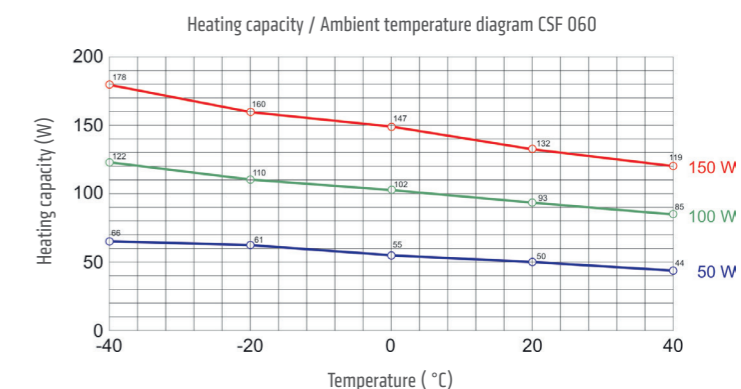
<sup>1</sup> Operating with voltages below AC 140 V reduces heating performance by approx. 10 %.



Heater CSF 060



Example of connection



Art. No.	Heating capacity <sup>2</sup>	Inrush current (max.)	Recommended pre-fuse T (time-delay)	Air outlet temperature <sup>3</sup>	Switch-off temperature <sup>4</sup>	Switch-on temperature <sup>4</sup>	Dimensions	Weight (approx.)
06001.0-00	50 W	2.5 A	4.0 A	+86 °C (+186.8 °F)	+15 °C (+59 °F)	+5 °C (+41 °F)	110 x 60 x 90 mm	0.3 kg
06002.0-00	50 W	2.5 A	4.0 A	+86 °C (+186.8 °F)	+25 °C (+77 °F)	+15 °C (+59 °F)	110 x 60 x 90 mm	0.3 kg
06011.0-00	100 W	4.5 A	8.0 A	+120 °C (+248 °F)	+15 °C (+59 °F)	+5 °C (+41 °F)	110 x 60 x 90 mm	0.3 kg
06012.0-00	100 W	4.5 A	8.0 A	+120 °C (+248 °F)	+25 °C (+77 °F)	+15 °C (+59 °F)	110 x 60 x 90 mm	0.3 kg
06021.0-00	150 W	8.0 A	10.0 A	+145 °C (+293 °F)	+15 °C (+59 °F)	+5 °C (+41 °F)	150 x 60 x 90 mm	0.5 kg
06022.0-00	150 W	8.0 A	10.0 A	+145 °C (+293 °F)	+25 °C (+77 °F)	+15 °C (+59 °F)	150 x 60 x 90 mm	0.5 kg

<sup>2</sup> ambient temperature - see Heating capacity / ambient temperature diagram; <sup>3</sup> measured 50 mm above protective grille; <sup>4</sup> tolerance of ±5 K

Note: Other switch-off and switch-on temperatures on request.

## ENCLOSURE HEATER

LP 165 | 60 W to 150 W



- > Clip fixing and pressure clamp for quick mounting
- > Wide voltage range
- > Dynamic heating up through PTC technology
- > Additional approvals

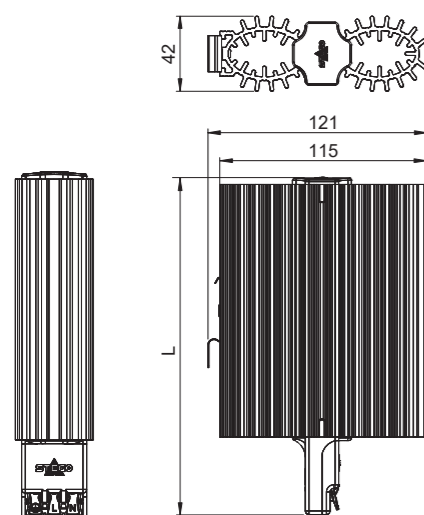
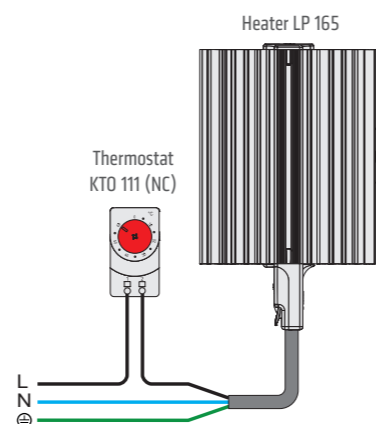
Compact heater with PTC heating elements for heating enclosures with electrical or electronic components. The heater prevents too low temperatures and thus condensation harming the components. The design of the aluminium profile creates a chimney effect, which ensures even temperature distribution within the enclosure. The practical push-in clamping terminal ensures quick and easy electrical connection. The heaters are designed for continuous operation.



## TECHNICAL DATA

Operating voltage	AC/DC 120-240 V (min. 110 V, max. 265 V)
Heating element	PTC resistor - temperature limiting
Heater body	extruded aluminium profile, anodised
Connection	3 x pressure clamps for stranded wire 0.5 - 1.5 mm <sup>2</sup> (with wire end ferrule) and rigid wire 0.5 - 2.5 mm <sup>2</sup>
Connection casing	plastic according to UL94 V-0, black
Mounting	clip for 35 mm DIN rail, EN 60715
Fitting position	vertical airflow (air outlet up, connection on bottom)
Operating/Storage temperature	-45 °C to +70 °C (-49 °F to +158 °F)
Operating/Storage humidity	< 90 % RH (non-condensing)
Protection type/Protection class	IP20 / I (earthed)
Approvals	VDE UL File No. 234324 EAC
Note	other voltages on request

Example of connection



Art. No.	Heating capacity <sup>1</sup>	Inrush current max.	Recommended pre-fuse T (time-delay)	Length (L)	Weight (approx.)
16501.0-00	60 W	4.0 A	6.0 A	107 mm	0.3 kg
16502.0-00	75 W	4.0 A	6.0 A	107 mm	0.3 kg
16503.0-00	100 W	6.0 A	8.0 A	167 mm	0.5 kg
16504.0-00	150 W	8.0 A	10.0 A	167 mm	0.5 kg

<sup>1</sup> measured at +20 °C (+68 °F) ambient temperature

## ENCLOSURE HEATER

HG 140 | 15 W to 150 W



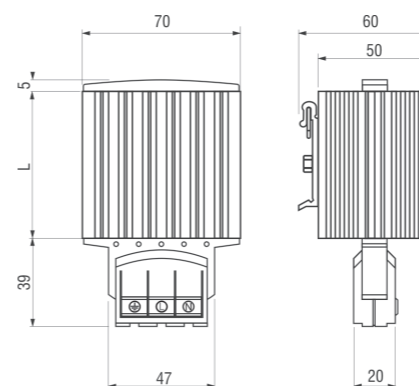
- > Pressure clamp connectors
- > Dynamic heating up
- > Wide voltage range
- > Energy saving
- > Clip fixing
- > Quick installation

These heaters are used in enclosures where damage from condensation must be prevented, or where the temperature may not fall below a minimum value. The aluminium profile heater body design has a chimney effect and distributes the heat evenly. The heaters are designed for permanent operation. Pressure clamp connectors save time and simplify installation.



## TECHNICAL DATA

Operating voltage	AC/DC 120 - 240 V <sup>1</sup> (min. 110 V, max. 265 V)
Heating element	PTC resistor - temperature limiting
Heater body	extruded aluminium profile, anodised
Connection	3 pressure clamps for stranded wire 0.5 - 1.5 mm <sup>2</sup> (with wire end ferrule) and rigid wire 0.5 - 2.5 mm <sup>2</sup>
Connection casing	plastic according to UL94 V-0, black
Mounting	clip for 35 mm DIN rail, EN 60715
Fitting position	vertical airflow (air outlet up, connection on bottom)
Operating/Storage temperature	-45 to +70 °C (-49 to +158 °F)
Operating/Storage humidity	< 90 % RH (non-condensing)
Protection type/Protection class	IP20 / I (earthed)
Approvals	VDE, UL File No. E150057, EAC
Accessoires	screw fixing, Art. No. 09024.0-00 (1 packing unit = 2 pieces)
Note	other voltages on request

<sup>1</sup> Operating with voltages below AC/DC 140 V reduces heating performance by approx. 10 %.

Art. No.	Heating capacity <sup>2</sup>	Inrush current max.	Recommended pre-fuse T (time-delay)	Length (L)	Weight (approx.)
14000.0-00	15 W	1.5 A	2.0 A	65 mm	0.3 kg
14001.0-00	30 W	3.0 A	4.0 A	65 mm	0.3 kg
14003.0-00	45 W	3.5 A	4.0 A	65 mm	0.3 kg
14005.0-00	60 W	2.5 A	4.0 A	140 mm	0.4 kg
14006.0-00	75 W	4.0 A	6.3 A	140 mm	0.5 kg
14007.0-00	100 W	4.5 A	8.0 A	140 mm	0.5 kg
14008.0-00	150 W	9.0 A	10.0 A	220 mm	0.7 kg

<sup>2</sup> at +20 °C (+68 °F) ambient temperature

## FLAT ENCLOSURE HEATER

CP 061 | 50 W, 100 W



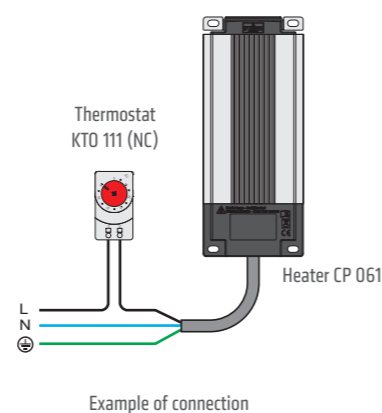
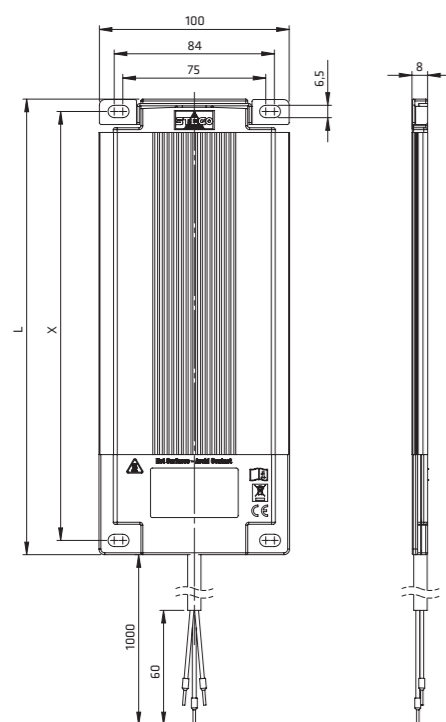
- > Contact/Convection heater
- > Ultra flat design
- > Compact
- > Easy, firm installation
- > Screw fixing
- > Linear expansion compensation
- > Integrated temperature cut-out
- > Ready-to-use with strain relief

The Flat Heater CP 061 is used to provide an evenly distributed temperature within enclosures and cabinets with electric/electronic components. Its ultra-thin design makes it particularly suitable for high-density applications for which standard enclosure heaters are often too big in size. Depending on the application, the Flat Heater can be used as a convection heater or as a contact heater. When used as a contact heater it offers thermoconductive contact to a component or a cabinet wall in need to be heated. The CP 061 is designed for continuous operation.



### TECHNICAL DATA

Heating element	resistance heater
Temperature safety cut-out	to protect against overheating, automatic reset
Heater body	aluminium profile
Surface temperature	< +150 °C at +25 °C (+77 °F)
Connection	silicone cable (halogen-free) 3 x 0.75 mm <sup>2</sup> (3 x AWG 18), length 1 m
Connection casing	plastic according to UL94 V-0, black
Mounting	screw fixing (M6)
Fitting position	horizontal, variable connection or vertical, connection on bottom
Dimensions	L x 100 x 8 mm
Storage temperature	-40 to +85 °C (-40 to +185 °F)
Operating/Storage humidity	< 90 % RH (non-condensing)
Protection type/Protection class	IP30 / I (earthed)



Art. No.	Operating voltage	Heating capacity	Length (L)	Hole spacing (X)	Weight (approx.)	Operating humidity	Approvals
06100.0-00	AC 230 V, 50/60 Hz	50 W	239 mm	225 mm	0.4 kg	-40 to +60 °C (-40 to +140 °F)	VDE EAC
06101.0-00	AC 230 V, 50/60 Hz	100 W	414 mm	400 mm	0.7 kg	-40 to +60 °C (-40 to +140 °F)	VDE EAC
06100.9-00	AC 120 V, 50/60 Hz	50 W	239 mm	225 mm	0.4 kg	-40 to +40 °C (-40 to +104 °F)	UL EAC
06101.9-00	AC 120 V, 50/60 Hz	100 W	414 mm	400 mm	0.7 kg	-40 to +40 °C (-40 to +104 °F)	UL EAC

## ENCLOSURE HEATER WITH FAN

HV 031 / HVL 031 | 100 W to 400 W



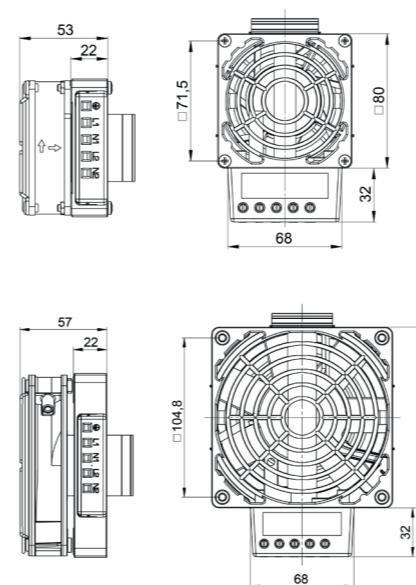
- > Compact
- > Flat design
- > High air through-flow
- > Temperature safety cut-out
- > Clip fixing

Compact high-performance fan heater prevents formation of condensation and frost and provides an evenly distributed interior air temperature in enclosures with electric/electronic components. This fan heater may only be operated together with a fan but is also available without fan for self-assembly (HV 031) and with pre-configured fan (HVL 031).



### TECHNICAL DATA

HV 031	Heater without fan (fan mounting kit included)
HVL 031	Heater with fan
Heating element	high performance cartridge
Temperature safety cut-out	to protect against overheating in case of fan failure, automatic reset
Heater body	die-cast aluminium (glass bead blasted)
Connection	3-pole screw connector 2.5 mm <sup>2</sup> , clamping torque 0.8 Nm max.
Connection casing	plastic according to UL94 V-0, black
Mounting	clip for 35 mm DIN rail, EN 60715
Fitting position	vertical airflow (air outlet up)
Operating/Storage temperature	-45 to +70 °C (-49 to +158 °F)
Operating/Storage humidity	< 90 % RH (non-condensing)
Protection type/Protection class	IP20 / I (earthed)
Approvals	UL File No. E234324, EAC VDE only: 230 V
<b>HVL 031 only:</b>	
Axial fan, ball bearing	airflow see table service life 50,000 h at +25 °C (+77 °F)
Connection (axial fan)	2-pole screw connector 2.5 mm <sup>2</sup> (L2/N2)



Airflow direction: upwards through heater



**Important note:** Heater may only be operated together with fan.  
Danger of overheating!

Art. No. HV 031 AC 230 V, 50/60 Hz	Art. No. HV 031 AC 120 V, 50/60 Hz	Heating capacity	Recommended pre-fuse T (time-delay)		Dimensions	Weight (approx.)
			AC 230 V	AC 120 V		
03100.0-00	03100.9-00	100 W	1.0 A	2.0 A	80 x 112 x 22 mm	0.4 kg
03101.0-00	03101.9-00	150 W	1.25 A	2.5 A	80 x 112 x 22 mm	0.4 kg
03110.0-00	03110.9-00	200 W	2.0 A	3.0 A	119 x 151 x 22 mm	0.5 kg
03111.0-00	03111.9-00	300 W	2.0 A	4.0 A	119 x 151 x 22 mm	0.5 kg
03112.0-00	03112.9-00	400 W	4.0 A	6.3 A	119 x 151 x 22 mm	0.5 kg

Art. No. HVL 031 AC 230 V, 50/60 Hz	Art. No. HVL 031 AC 120 V, 50/60 Hz	Heating capacity	Recommended pre-fuse T (time-delay)		Airflow min., free flow	Dimensions	Weight (approx.)
			AC 230 V	AC 120 V			
03102.0-00	03102.9-00	100 W	1.0 A	2.0 A	35 m <sup>3</sup> /h	80 x 112 x 53 mm	0.6 kg
03103.0-00	03103.9-00	150 W	1.25 A	2.5 A	35 m <sup>3</sup> /h	80 x 112 x 53 mm	0.6 kg
03113.0-00	03113.9-00	200 W	2.0 A	3.0 A	108 m <sup>3</sup> /h	119 x 151 x 57 mm	0.9 kg
03114.0-00	03114.9-00	300 W	2.0 A	4.0 A	108 m <sup>3</sup> /h	119 x 151 x 57 mm	0.9 kg
03115.0-00	03115.9-00	400 W	4.0 A	6.3 A	108 m <sup>3</sup> /h	119 x 151 x 57 mm	0.9 kg

## ENCLOSURE HEATER WITH FAN

HGL 046 | 250 W, 400 W



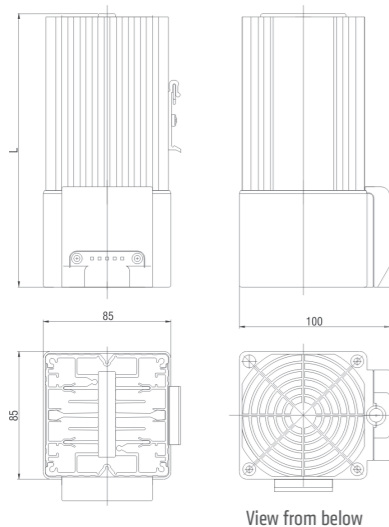
- > Compact Design
- > Clip fixing
- > Long service life
- > Temperature safety cut-out

Compact fan heater prevents formation of condensation and frost. The integrated high-performance axial fan provides an evenly distributed interior air temperature in enclosures with electric/electronic components.

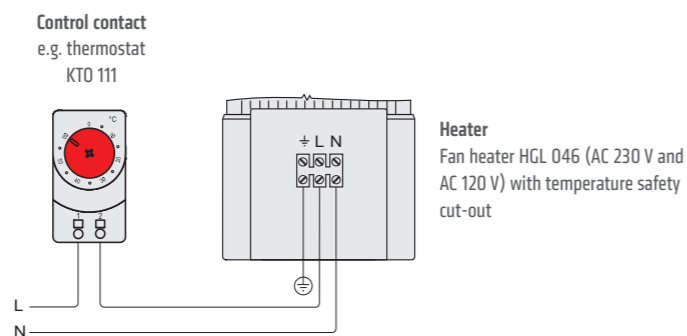


### TECHNICAL DATA

Heating element	resistance heater
Temperature safety cut-out	to protect against overheating in case of fan failure, automatic reset
Heater body	anodised extruded aluminium profile
Surface temperature	< +75 °C (400 W)
Axial fan, ball bearing	Airflow, free flow 45 m <sup>3</sup> /h (50 Hz) or 54 m <sup>3</sup> /h (60 Hz) service life 50,000 h at +25 °C (+77 °F)
Connection	internal connection terminal 1.5 mm <sup>2</sup> with strain relief, clamping torque 0.8 Nm max.
Connection casing	plastic according to UL94 V-0, black
Mounting	clip for 35 mm DIN rail, EN 60715
Fitting position	vertical airflow (air outlet up)
Operating/Storage temperature	-45 to +70 °C (-49 to +158 °F)
Operating/Storage humidity	< 90 % RH (non-condensing)
Protection type/Protection class	IP20 / I (earthed)
Note	other voltages on request



Example of connection



Art. No.	Operating voltage	Heating capacity	Recommended pre-fuse T (time-delay)	Length (L)	Weight (approx.)	Approvals		
04640.0-00	AC 230 V, 50/60 Hz	250 W	2.0 A	182 mm	1.1 kg	VDE	UL File No. E150057 <sup>1</sup>	EAC
04641.0-00	AC 230 V, 50/60 Hz	400 W	4.0 A	222 mm	1.4 kg	VDE	UL File No. E150057 <sup>1</sup>	EAC
04640.9-00	AC 120 V, 50/60 Hz	250 W	4.0 A	182 mm	1.1 kg	VDE	UL File No. E150057 <sup>1</sup>	EAC
04641.9-00	AC 120 V, 50/60 Hz	400 W	6.3 A	222 mm	1.4 kg	VDE	UL File No. E150057 <sup>1</sup>	EAC

<sup>1</sup> according to UL 508A, NITW File on request

## ENCLOSURE HEATER WITH FAN

CR 027 | up to 650 W



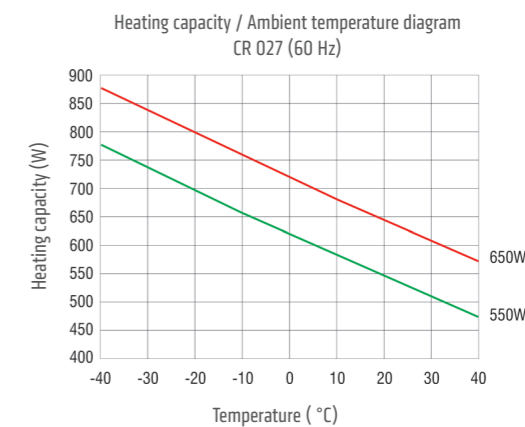
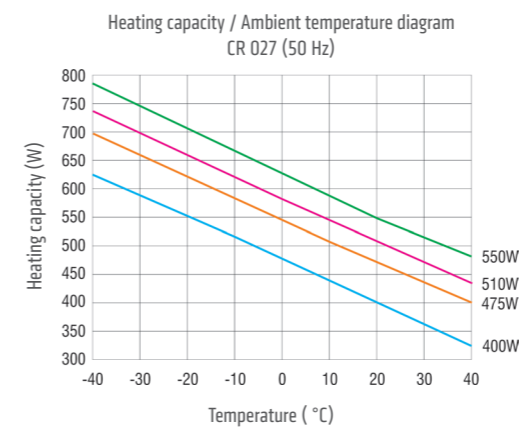
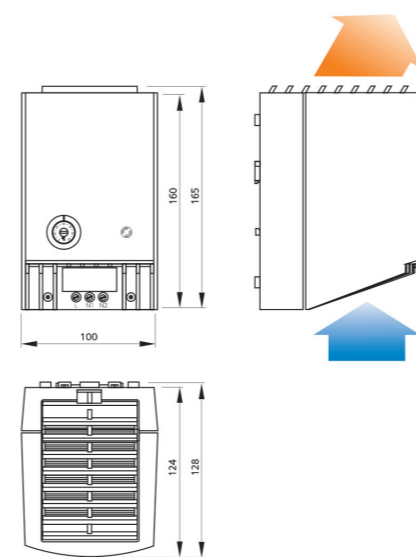
- > Compact heater
- > Integrated thermostat
- > Clip fixing
- > Optical indicator
- > Temperature safety cut-out

Semiconductor fan heater prevents formation of condensation and frost and provides an evenly distributed interior air temperature in enclosures with electric/electronic components. The integrated thermostat is used to set the desired temperature.



### TECHNICAL DATA

Heating element	PTC resistor – temperature limiting
Temperature safety cut-out	to protect against overheating in case of fan failure, automatic reset
Axial fan, ball bearing	airflow see table service life 50,000 h at +25 °C (+77 °F)
Connection	2-pole clamp 2.5 mm <sup>2</sup> , clamping torque 0.8 Nm max
Casing	plastic according to UL94 V-0, light grey
Optical indicator	thermostat control lamp
Mounting	clip for 35 mm DIN rail, EN 60715
Fitting position	vertical airflow (air outlet up)
Dimensions	100 x 128 x 165 mm
Operating/Storage temperature	-45 to +70 °C (-49 to +158 °F)
Operating/Storage humidity	< 90 % RH (non-condensing)
Protection type/Protection class	IP20 / II (double insulated)
Approvals	VDE, UL File No. E204590, EAC



Art. No.	Operating voltage	Heating capacity <sup>1</sup> (50 Hz)	Heating capacity <sup>1</sup> (60 Hz)	Inrush current max.	Recommended pre-fuse T (time-delay)	Airflow, free flow	Setting range thermostat <sup>2</sup>	Weight (approx.)
02700.0-00	AC 220 – 240 V, 50/60 Hz	475 W	550 W	11.0 A	10.0 A	35 m <sup>3</sup> /h	0 to +60 °C	0.9 kg
02701.0-00	AC 220 – 240 V, 50/60 Hz	550 W	650 W	13.0 A	10.0 A	45 m <sup>3</sup> /h	0 to +60 °C	1.1 kg
02700.9-00	AC 100 – 120 V, 50/60 Hz	400 W	550 W	14.0 A	10.0 A	35 m <sup>3</sup> /h	+32 to +140 °F	0.9 kg
02701.9-00	AC 100 – 120 V, 50/60 Hz	510 W	650 W	15.0 A	10.0 A	45 m <sup>3</sup> /h	+32 to +140 °F	1.1 kg

<sup>1</sup> at +20 °C (+68 °F) ambient temperature; <sup>2</sup> Switch temperature difference 7 K (±4 K tolerance)

20.10.2022 | Specifications are subject to change without notice. Errors and omissions excepted. Suitability of this product for its intended use and any associated risks must be determined by the end customer/buyer in its final application. www.stego.de | www.stego.co.uk | www.stegonorden.se

20.10.2022 | Specifications are subject to change without notice. Errors and omissions excepted. Suitability of this product for its intended use and any associated risks must be determined by the end customer/buyer in its final application. www.stego.de | www.stego.co.uk | www.stegonorden.se

# ENCLOSURE HEATER WITH FAN

CS 028 / CSL 028 | 150 W to 400 W



Fan Heaters CSL 028/CS 028 with clip fixing



Fan Heaters CSL 028/CS 028 with screw fixing

- > Small, compact design
- > Quiet in operation

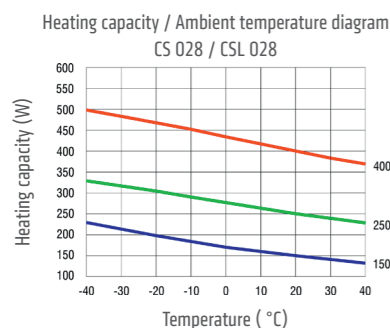
- > Dynamic heating up
- > Clip or screw fixing

These fan heaters prevent formation of condensation and provide an evenly distributed interior air temperature in enclosures with electric/electronic components. The heaters are connected using the internal terminal connectors. The small size of the CS / CSL 028 heaters make them ideal for use in enclosures where space is at a premium.

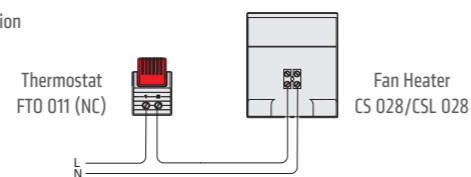


### TECHNICAL DATA

Heating element	PTC resistor – temperature limiting
Axial fan, ball bearing	air flow, free flow CS 028: 13.8 m <sup>3</sup> /h CSL 028: 45 m <sup>3</sup> /h (AC 230 V), 54 m <sup>3</sup> /h (AC 120 V) service life 40,000 h at +40 °C (+104 °F)
Connection	2-pole clamp max. 2.5 mm <sup>2</sup> (CSL 028 with strain relief), clamping screw torque 0.8 Nm max.
Casing	plastic according to UL94 V-0, black
Mounting	clip for 35 mm DIN rail, EN 60715 or screw fixing (Ø 5.3 mm)
Fitting position	vertical airflow (air outlet up)
Dimensions	see drawings
Operating/Storage temperature	-45 to +70 °C (-49 to +158 °F)
Operating/Storage humidity	< 90 % RH (non-condensing)
Protection type/Protection class	IP20 / II (double insulated)
Note	other voltages on request



Example of connection



### FAN HEATER CS 028

Art. No. clip fixing	Art. No. screw fixing	Operating voltage	Heating capacity <sup>1</sup>	Inrush current max.	Recommended pre-fuse T (time-delay)	Weight (approx.)	Approvals		
02800.0-00	02800.0-01	AC 230 V, 50/60 Hz	150 W	12.0 A	10.0 A	0.3 kg	VDE	UL File No. E234324	EAC
02800.9-00	02800.9-01	AC 120 V, 50/60 Hz	150 W	6.0 A	10.0 A	0.3 kg	-	UL File No. E234324	EAC

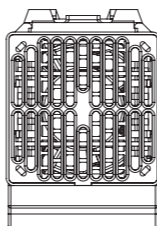
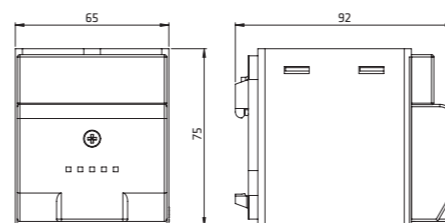
### FAN HEATER CSL 028

Art. No. clip fixing	Art. No. screw fixing	Operating voltage	Heating capacity <sup>1</sup>	Inrush current max.	Recommended pre-fuse T (time-delay)	Weight (approx.)	Approvals		
02811.0-00	02811.0-01	AC 230 V, 50/60 Hz	250 W	9.0 A	10.0 A	0.5 kg	VDE	UL File No. E234324	EAC
02810.0-00	02810.0-01	AC 230 V, 50/60 Hz	400 W	15.0 A	16.0 A	0.5 kg	VDE	UL File No. E234324	EAC
02811.9-00	02811.9-01	AC 120 V, 50/60 Hz	250 W	6.0 A	10.0 A	0.5 kg	-	UL File No. E234324	EAC
02810.9-00	02810.9-01	AC 120 V, 50/60 Hz	400 W	9.0 A	10.0 A	0.5 kg	-	UL File No. E234324	EAC

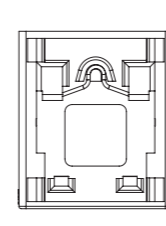
<sup>1</sup> at +20 °C (+68 °F) ambient temperature

### TECHNICAL DRAWINGS

#### CLIP FIXING

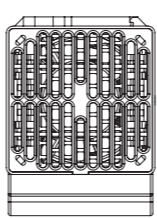
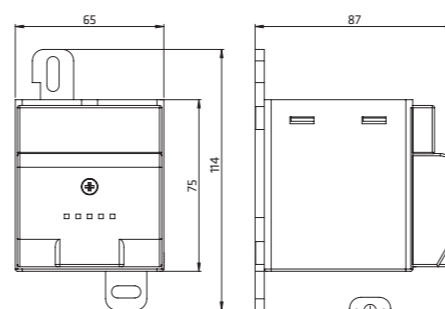


Fan Heater CS 028

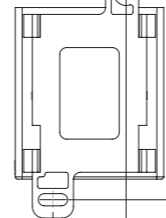


View: back side

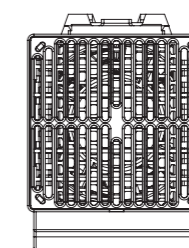
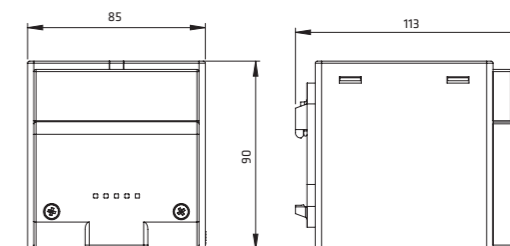
#### SCREW FIXING



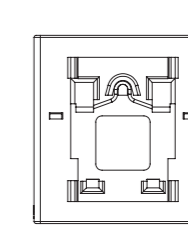
Fan Heater CS 028



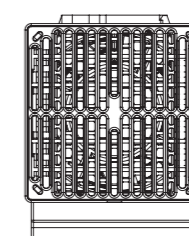
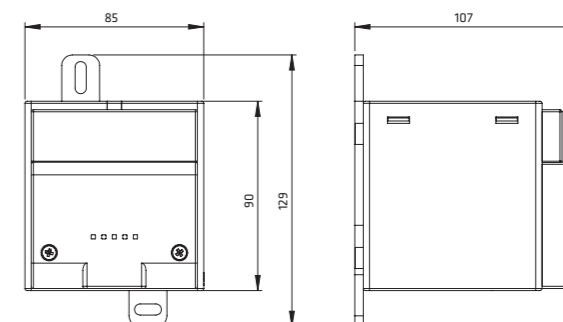
View: back side



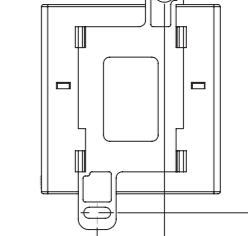
Fan Heater CSL 028



View: back side



Fan Heater CSL 028



View: back side

### ACCESSORY PART FOR FAN HEATER CSL 028

#### Air duct for improved heat distribution

The air duct is an accessory part for use with the fan heater CSL 028. It can easily be clipped onto the protective grille of the fan heater without use of any tools, and diverts the exiting warm air by 45°. This results in an overall improved heat distribution within an enclosure or cabinet. The temperature above the protective grille is reduced by up to 20 °C (measured 100 mm above protective grille) and may make the use of a heat conduction plate obsolete.



Art. No.	Dimensions <sup>2</sup>	Plastic	1 Packing unit	Weight (approx.)
252017	85 x 85 x 12 mm	according to UL94 V-0, black	1 piece	35 g

<sup>2</sup> Dimensions when mounted on fan heater.

20.10.2021 | Specifications are subject to change without notice. Errors and omissions excepted. Suitability of this product for its intended use and any associated risks must be determined by the end customer/buyer in its final application. www.stego.de | www.stego.co.uk | www.stegonorden.se

20.10.2021 | Specifications are subject to change without notice. Errors and omissions excepted. Suitability of this product for its intended use and any associated risks must be determined by the end customer/buyer in its final application. www.stego.de | www.stego.co.uk | www.stegonorden.se



## ENCLOSURE HEATER

CSF 028 | 250 W, 400 W



CSF 028 with clip fixing



CSF 028 with screw flange fixing

- > Small, compact design
- > Integrated pre-set thermostat
- > Dynamic heating up
- > Quick connection
- > Clip or screw flange fixing

The compact fan heater prevents formation of condensation and provides an evenly distributed interior air temperature in enclosures with electric/electronic components. The touch-safe plastic housing and the small dimensions makes it ideal for use in enclosures with high packing density. The CSF 028 is equipped with a preset thermostat. It is connected via external clamps. The fan heater is available with two different mounting systems – either mounting by screw flange or by clip. The robust screw flange fixing is particularly suitable for applications with high vibration.



## TECHNICAL DATA

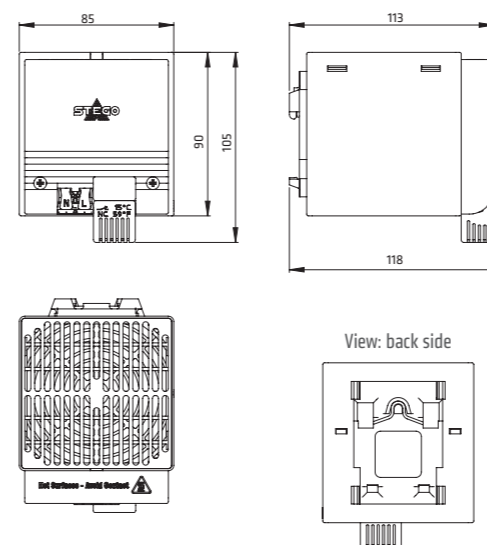
Heating element	PTC resistor – temperature limiting
Temperature safety cut-out	to protect against overheating in case of fan failure, automatic reset
Axial fan, ball bearing	air flow, free flow CSF 028: 45 m <sup>3</sup> /h (AC 230 V), 54 m <sup>3</sup> /h (AC 120 V) service life 40,000 h at +40 °C (+104 °F)
Connection	2-pole dual pressure clamp for rigid wire 2.5 mm <sup>2</sup> , stranded wire (with wire end ferrule) 1.5 mm <sup>2</sup>
Casing	plastic according to UL94 V-0, black
Mounting	clip for 35 mm DIN rail, EN 60715 or screw fixing (Ø 5.5 mm), clamping torque 2 Nm max., washers have to be used
Fitting position	vertical airflow (air outlet up)
Dimensions	models with clip fixing: 105 x 85 x 118 mm, models with screw flange fixing: 105 x 115 x 108 mm
Weight	0.5 kg
Operating/Storage temperature	-40 to +70 °C (-40 to +158 °F)/-45 to +70 °C (-49 to +158 °F)
Operating/Storage humidity	< 90 % RH (non-condensing)
Protection type/Protection class	IP20 / II (double insulated)

Art. No. clip fixing	Art. No. screw flange fixing	Operating voltage	Heating capacity <sup>1</sup>	Inrush current max.	Recommended pre-fuse T (time-delay)	Switch-off temperature <sup>2</sup>	Switch-on temperature <sup>2</sup>	Approvals	
02821.0-06	02821.0-08	AC 230 V, 50/60 Hz	250 W	9,0 A	10,0 A	+15 °C (+59 °F)	+5 °C (+41 °F)	VDE	UL File No. E234324 EAC
02821.0-09	02821.0-11	AC 230 V, 50/60 Hz	250 W	9,0 A	10,0 A	+25 °C (+77 °F)	+15 °C (+59 °F)	VDE	UL File No. E234324 EAC
02820.0-06	02820.0-08	AC 230 V, 50/60 Hz	400 W	15,0 A	16,0 A	+15 °C (+59 °F)	+5 °C (+41 °F)	VDE	UL File No. E234324 EAC
02820.0-09	02820.0-11	AC 230 V, 50/60 Hz	400 W	15,0 A	16,0 A	+25 °C (+77 °F)	+15 °C (+59 °F)	VDE	UL File No. E234324 EAC
02821.9-06	02821.9-08	AC 120 V, 50/60 Hz	250 W	6,0 A	10,0 A	+15 °C (+59 °F)	+5 °C (+41 °F)	-	UL File No. E234324 EAC
02821.9-09	02821.9-11	AC 120 V, 50/60 Hz	250 W	6,0 A	10,0 A	+25 °C (+77 °F)	+15 °C (+59 °F)	-	UL File No. E234324 EAC
02820.9-06	02820.9-08	AC 120 V, 50/60 Hz	400 W	9,0 A	10,0 A	+15 °C (+59 °F)	+5 °C (+41 °F)	-	UL File No. E234324 EAC
02820.9-09	02820.9-11	AC 120 V, 50/60 Hz	400 W	9,0 A	10,0 A	+25 °C (+77 °F)	+15 °C (+59 °F)	-	UL File No. E234324 EAC

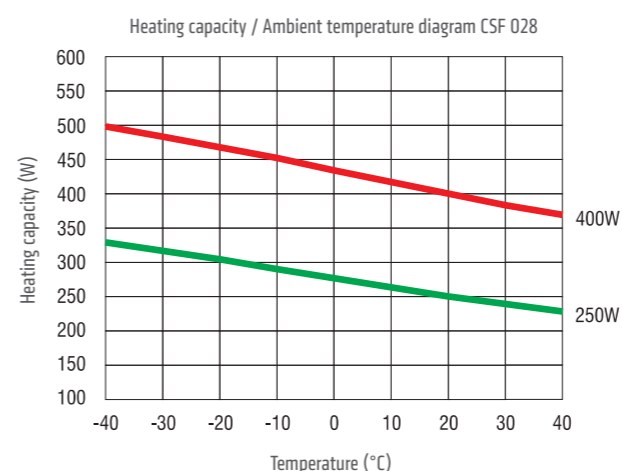
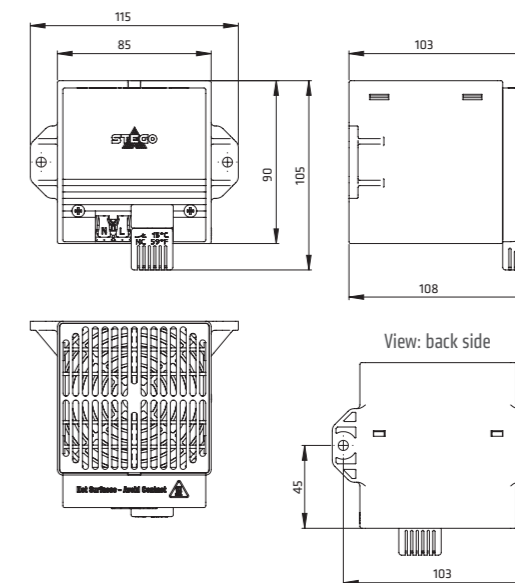
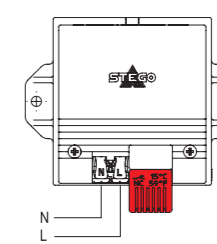
<sup>1</sup> at +20 °C (+68 °F) ambient temperature; <sup>2</sup> tolerance of ±5 K  
**Note:** Other switch-off and switch-on temperatures on request.

## TECHNICAL DRAWINGS

## CLIP FIXING



## SCREW FLANGE FIXING

Example of connection  
Fan heater CSF 028

## ACCESSORIES

## Air duct for improved heat distribution

The air duct is an accessory part for use with the fan heater CSF 028. It can easily be clipped onto the protective grille of the fan heater without use of any tools, and diverts the exiting warm air by 45°. This results in an overall improved heat distribution within an enclosure or cabinet. The temperature above the protective grille is reduced by up to 20 °C (measured 100 mm above protective grille) and may make the use of a heat conduction plate obsolete.



Air duct Art. No. 252017

Fan heater with air duct

Art. No.	Dimensions <sup>2</sup>	Plastic	1 Packing unit	Weight (approx.)
252017	85 x 85 x 12 mm	according to UL94 V-0, black	1 piece	35 g

<sup>2</sup> Dimensions when mounted on fan heater.

## ENCLOSURE HEATER

HVI 030 | 500 W to 700 W



- > Compact
- > Flat design

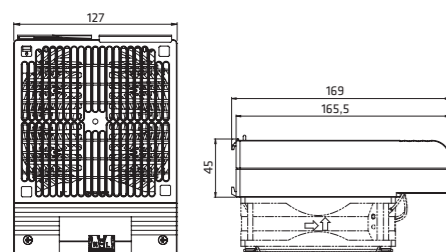
- > Temperature safety cut-out
- > Twist clip or screw fixing

The compact high-performance fan heater prevents formation of condensation and frost and provides an evenly distributed interior air temperature in enclosures with electric/electronic components. The heater may only be operated together with fan, but is also available without axial fan (for self-installation). The fan heaters are available with two different mounting systems – either mounting by screw fixing or with a new and unique twist clip mounting system. These options allow for a quick and easy installation of the fan heater.



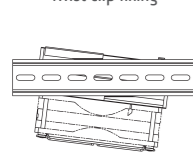
## TECHNICAL DATA

Heating element	high performance cartridge
Temperature safety cut-out	with automatic reset and second-tier one shot fuse to protect against overheating in case of fan failure
Axial fan	not included in delivery, for self-assembly
Connection	2-pole dual pressure clamp for rigid wire 2.5 mm <sup>2</sup> , stranded wire (with wire end ferrule) 1.5 mm <sup>2</sup>
Casing	plastic according to UL94 V-0, black
Mounting	twist clip for 35 mm DIN rail, EN 60715 or screw fixing (M6), torque 2 Nm max., washers have to be used
Fitting position	vertical airflow (air outlet up)
Dimensions	169 x 127 x 45 mm
Weight	~ 0.7 kg
Operating temperature	VDE: -10 to +50 °C (+14 to +122 °F) UL: -10 to +40 °C (+14 to +104 °F)
Storage temperature	-45 to +70 °C (-49 to +158 °F)
Operating/Storage humidity	< 90 % RH (non-condensing)
Protection type/Protection class	IP20 / II (double insulated)
Approvals	VDE, UL File No. E234324, EAC
Note	other heating capacities and voltages available on request

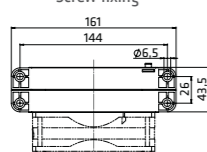


View: back side

Twist clip fixing



Screw fixing



**Important note:** Heater may only be operated together with fan (min. 150 m<sup>3</sup>/h). Danger of overheating!

Art. No. twist clip fixing	Art. No. screw fixing	Operating voltage	Heating capacity	Recommended pre-fuse T (time-delay)
03074.0-00	03074.0-01	AC 230 V, 50/60 Hz	500 W	4.0 A
03073.0-00	03073.0-01	AC 230 V, 50/60 Hz	600 W	4.0 A
03072.0-00	03072.0-01	AC 230 V, 50/60 Hz	700 W	4.0 A
03074.9-00	03074.9-01	AC 120 V, 50/60 Hz	500 W	8.0 A
03073.9-00	03073.9-01	AC 120 V, 50/60 Hz	600 W	8.0 A
03072.9-00	03072.9-01	AC 120 V, 50/60 Hz	700 W	10.0 A

## ENCLOSURE HEATER WITH FAN

HVI 030 | 500 W to 700 W



- > Compact
- > Flat design
- > High air through-flow

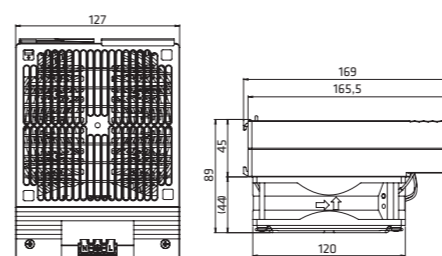
- > Temperature safety cut-out
- > Twist clip or screw fixing

The compact high-performance fan heater prevents formation of condensation and frost and provides an evenly distributed interior air temperature in enclosures with electric/electronic components. The heater may only be operated together with fan, but is also available without axial fan (for self-installation). The fan heaters are available with two different mounting systems – either mounting by screw fixing or with a new and unique twist clip mounting system. These options allow for a quick and easy installation of the fan heater.



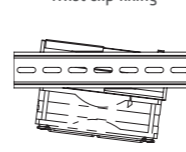
## TECHNICAL DATA

Heating element	high performance cartridge
Temperature safety cut-out	with automatic reset and second-tier one shot fuse to protect against overheating in case of fan failure
Axial fan, ball bearing	airflow 150 m <sup>3</sup> /h, free flow service life 50,000 h at +25 °C (+77 °F)
Connection	3-pole dual pressure clamp for rigid wire 2.5 mm <sup>2</sup> , stranded wire (with wire end ferrule) 1.5 mm <sup>2</sup>
Casing	plastic according to UL94 V-0, black
Mounting	twist clip for 35 mm DIN rail, EN 60715 or screw fixing (M6), torque 2 Nm max., washers have to be used
Fitting position	vertical airflow (air outlet up)
Dimensions	169 x 127 x 89 mm
Weight	~ 1.3 kg
Operating temperature	VDE: -10 to +50 °C (+14 to +122 °F) UL: -10 to +40 °C (+14 to +104 °F)
Storage temperature	-45 to +70 °C (-49 to +158 °F)
Operating/Storage humidity	< 90 % RH (non-condensing)
Protection type/Protection class	IP20 / heater: II (double insulated); fan: I (earthed)
Approvals	VDE, UL File No. E234324, EAC
Note	other heating capacities and voltages available on request

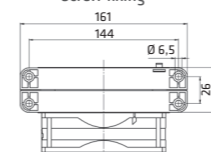


View: back side

Twist clip fixing



Screw fixing



**Important note:** Heater may only be operated together with fan (min. 150 m<sup>3</sup>/h). Danger of overheating!

Art. No. twist clip fixing	Art. No. screw fixing	Operating voltage	Heating capacity	Recommended pre-fuse T (time-delay)
03084.0-00	03084.0-01	AC 230 V, 50/60 Hz	500 W	4.0 A
03083.0-00	03083.0-01	AC 230 V, 50/60 Hz	600 W	4.0 A
03082.0-00	03082.0-01	AC 230 V, 50/60 Hz	700 W	6.3 A
03084.9-00	03084.9-01	AC 120 V, 50/60 Hz	500 W	8.0 A
03083.9-00	03083.9-01	AC 120 V, 50/60 Hz	600 W	8.0 A
03082.9-00	03082.9-01	AC 120 V, 50/60 Hz	700 W	10.0 A

## ENCLOSURE HEATER WITH FAN

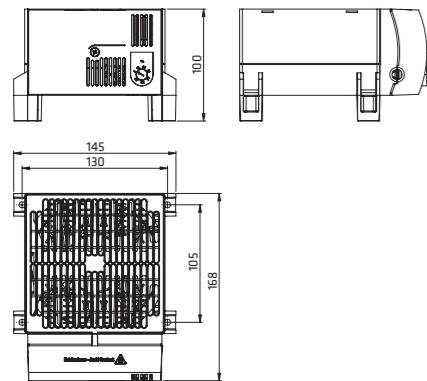
CR 030 | 950 W



- > Compact design
- > Double insulated

- > Integrated thermostat or hygrostat

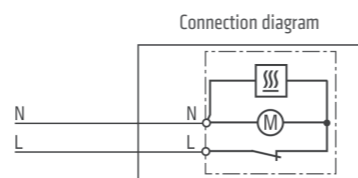
The compact high performance fan heater prevents formation of condensation and frost and provides an evenly distributed interior air temperature in enclosures with electric/electronic components. The plastic housing provides double insulation and acts as protection against contact. The fan heater is available with integrated thermostat or pre-set hygrostat for temperature or humidity control. The CR 030 was designed as a stationary unit for the bottom of the enclosure. For wall fixing the fan heater CR 130 is recommended.



## TECHNICAL DATA

Heating element	high performance cartridge
Temperature safety cut-out	with automatic reset and second-tier one shot fuse to protect against overheating in case of fan failure
Heater body	extruded aluminium profile
Axial fan, ball bearing	airflow 160 m <sup>3</sup> /h, free flow service life 50,000 h at +25 °C (+77 °F)
Connection	2-pole max. 2.5 mm <sup>2</sup> , clamping screw with strain relief, torque 0.8 Nm max.
Casing	plastic according to UL94 V-0, black
Mounting	screw fixing (M5)
Fitting position	vertical airflow (air outlet up)
Dimensions	168 x 145 x 100 mm
Weight	~ 1.4 kg
Operating <sup>1</sup> /Storage temperature	-45 to +70 °C (-49 to +158 °F)
Operating/Storage humidity	< 90 % RH (non-condensing)
Protection type/Protection class	IP20 / II (double insulated)
Note	other heating capacities from 200 W up available on request

<sup>1</sup> Operating temperature of heater with integrated hygrostat: 0 to +60 °C (+32 to +140 °F).



Art. No.	Model	Operating voltage	Heating capacity	Recommended pre-fuse T (time-delay)	Setting range <sup>2</sup>	Approvals		
03051.0-00	Fan Heater with thermostat	AC 230 V, 50/60 Hz	950 W	6.3 A	0 to +60 °C	VDE	UL File No. E234324	EAC
03059.9-00	Fan Heater with thermostat	AC 120 V, 50/60 Hz	950 W	10.0 A	+32 to +140 °F	-	UL File No. E234324	EAC

<sup>2</sup> Switch temperature difference 7 K (±4 K tolerance)

## ENCLOSURE HEATER WITH FAN

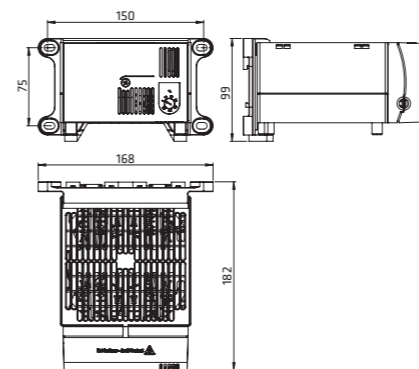
CR 130 | 950 W



- > Compact design
- > Double insulated

- > Integrated thermostat or hygrostat
- > Optional clip or screw fixing

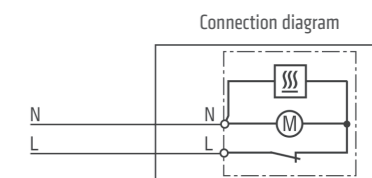
The compact high performance fan heater prevents formation of condensation and frost and provides an evenly distributed interior air temperature in enclosures with electric/electronic components. The plastic housing provides double insulation and acts as protection against contact. The fan heater is available with integrated thermostat or pre-set hygrostat for temperature or humidity control. The CR 130 was designed as a stationary unit for wall fixing. For fixing on the bottom of the enclosure the fan heater CR 030 is recommended.



## TECHNICAL DATA

Heating element	high performance cartridge
Temperature safety cut-out	with automatic reset and second-tier one shot fuse to protect against overheating in case of fan failure
Heater body	extruded aluminium profile
Axial fan, ball bearing	airflow 160 m <sup>3</sup> /h, free flow, service life 50,000 h at +25 °C (+77 °F)
Connection	2-pole max. 2.5 mm <sup>2</sup> , clamping screw with strain relief, torque 0.8 Nm max.
Casing	plastic according to UL94 V-0, black
Mounting	clip for 35 mm DIN rail, EN 60715 or screw fixing (M6)
Fitting position	vertical airflow (air outlet up)
Dimensions	182 x 168 x 99 mm
Weight	~ 1.5 kg
Operating <sup>1</sup> /Storage temperature	-45 to +70 °C (-49 to +158 °F)
Operating/Storage humidity	< 90 % RH (non-condensing)
Protection type/Protection class	IP20 / II (double insulated)
Note	other heating capacities from 200 W up available on request

<sup>1</sup> Operating temperature of heater with integrated hygrostat: 0 to +60 °C (+32 to +140 °F)



Art. No.	Model	Operating voltage	Heating capacity	Recommended pre-fuse T (time-delay)	Setting range <sup>2</sup>	Approvals		
13051.0-00	Fan Heater with thermostat	AC 230 V, 50/60 Hz	950 W	6.3 A	0 to +60 °C	VDE	UL File No. E234324	EAC
13051.0-02	Fan Heater with hygrostat	AC 230 V, 50/60 Hz	950 W	6.3 A	65 % RH, factory-set	VDE	UL File No. E234324	EAC
13059.9-00	Fan Heater with thermostat	AC 120 V, 50/60 Hz	950 W	10.0 A	+32 to +140 °F	-	UL File No. E234324	EAC

<sup>2</sup> Switch temperature difference 7 K (±4 K tolerance)

## ENCLOSURE HEATER WITH FAN

CS 032 / CSF 032 | 1,000 W



Fan heater CS 032



Fan heater CSF 032

- > Compact and slim design
- > High heating performance
- > Double insulated
- > With or without thermostat
- > Quick connection

The compact high performance fan heater prevents formation of condensation and frost and provides an evenly distributed interior air temperature in enclosures with electric/electronic components. The plastic housing provides double insulation and acts as protection against contact. Two screw connectors at the front of CS 032 allow comfortable wiring of an external thermostat. The CSF 032 is equipped with a pre-set thermostat. Both models were designed for wall fixing. A fan heater for fixing on the bottom of the enclosure is available on request.



## TECHNICAL DATA

Heating element	PTC resistor – temperature limiting
Surface temperature	max. +80 °C (+176 °F), except upper protective grille at +20 °C (+68 °F) ambient temperature
Temperature safety cut-out	to protect against overheating in case of fan failure, automatic reset
Axial fan, ball bearing	air flow 63 m <sup>3</sup> /h, free flow service life 50,000 h (L10) at 25 °C (77 °F)
Connection	male power insert connector according to IEC320 C18
Casing	plastic according to UL94 V-0, black
Mounting	clip for 35 mm DIN rail, EN 60715 or screw fixing (M5), tightening torque 2 Nm max.
Fitting position	airflow direction up
Dimensions	152.5 x 88 x 66 mm
Weight	~ 0.5 kg
Operation/Storage temperature	-40 to +60 °C (-40 to +140 °F) / -40 to +70 °C (-40 to +158 °F)
Operation/Storage humidity	< 90 % RH (non-condensing)
Protection type/Protection class	IP20 / II (double insulated)
Approvals	VDE, UL File No. E234324, EAC

**Important note:** Connectors and cables for electrical connection are not included in the delivery. Connection cables can be ordered separately, see Accessories.

## FAN HEATER CS 032 (WITHOUT THERMOSTAT)

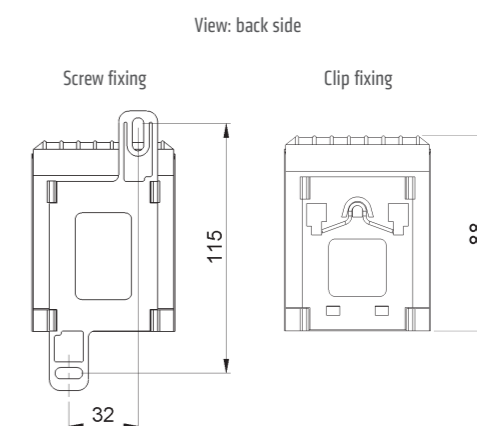
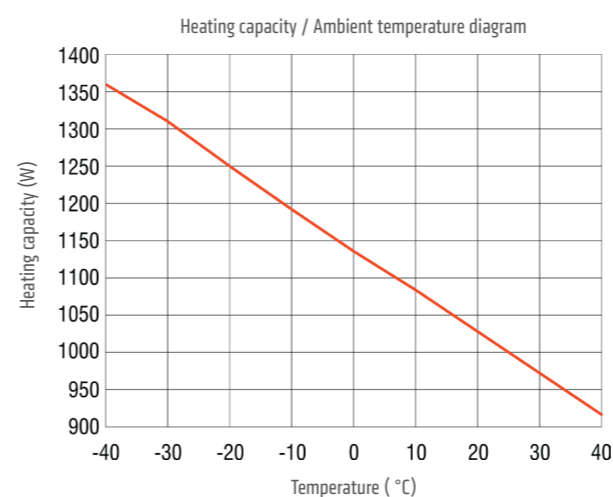
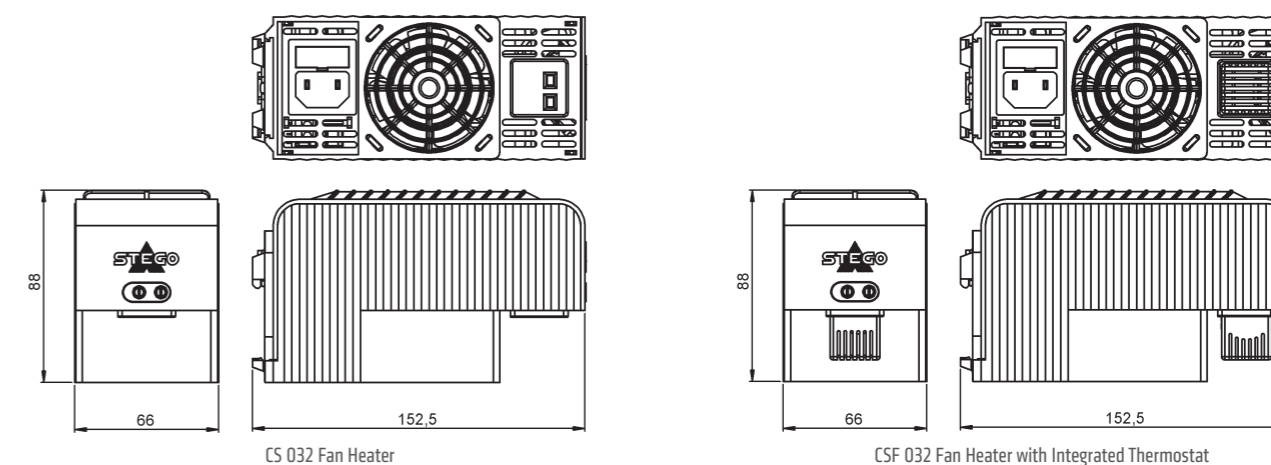
Art. No. Clip fixing	Art. No. Screw fixing	Operating voltage	Heating capacity <sup>1</sup>	Inrush current max.
03209.0-00	03209.0-01	AC 220 – 240 V, 50/60 Hz	1,000 W	12.0 A
03209.9-00	03209.9-01	AC 100 – 120 V, 50/60 Hz	1,000 W	18.0 A

## FAN HEATER CSF 032 (WITH THERMOSTAT)

Art. No. Clip fixing	Art. No. Screw fixing	Operating voltage	Heating capacity <sup>1</sup>	Inrush current max.	Switch-off temperature <sup>2</sup>	Switch-on temperature <sup>2</sup>
03201.0-00	03201.0-01	AC 220 – 240 V, 50/60 Hz	1,000 W	12.0 A	+25 °C (+77 °F)	+15 °C (+59 °F)
03202.0-00	03202.0-01	AC 220 – 240 V, 50/60 Hz	1,000 W	12.0 A	+15 °C (+59 °F)	+5 °C (+41 °F)
03201.9-00	03201.9-01	AC 100 – 120 V, 50/60 Hz	1,000 W	18.0 A	+25 °C (+77 °F)	+15 °C (+59 °F)
03202.9-00	03202.9-01	AC 100 – 120 V, 50/60 Hz	1,000 W	18.0 A	+15 °C (+59 °F)	+5 °C (+41 °F)

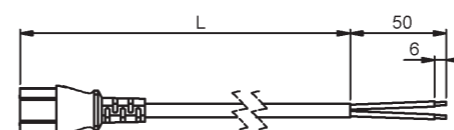
<sup>1</sup> at +25 °C (+77 °F) ambient temperature; <sup>2</sup> tolerance ±5 K  
**Note:** Other switch-off and switch-on temperatures on request.

## TECHNICAL DRAWING



## ACCESSORIES

Connection cable with female power insert connector according IEC320 C17



Art. No.	Length (L)
244379	1.0 m
244380	2.0 m

## Retaining Clip



Photo: Retaining Clip art. no. 237009 in built-in state

Art. No.	Note
237009	Suitable for female power insert connector on connection cable 244379 and 244380

## ENCLOSURE HEATER WITH FAN

CS 030 | 1,200 W



- > Compact design
- > High heating performance

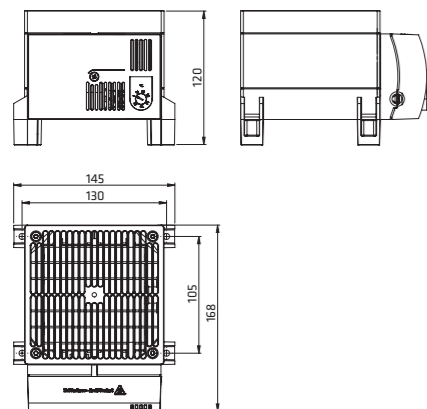
- > Double insulated
- > Integrated thermostat (optional)

The compact high performance fan heater prevents formation of condensation and frost and provides an evenly distributed interior air temperature in enclosures with electric/electronic components. The plastic housing provides double insulation and acts as protection against contact. The fan heater is available with optional integrated thermostat for temperature control. The CS 030 was designed as a stationary unit for the bottom of the enclosure. For wall fixing the fan heater CS 130 is recommended.

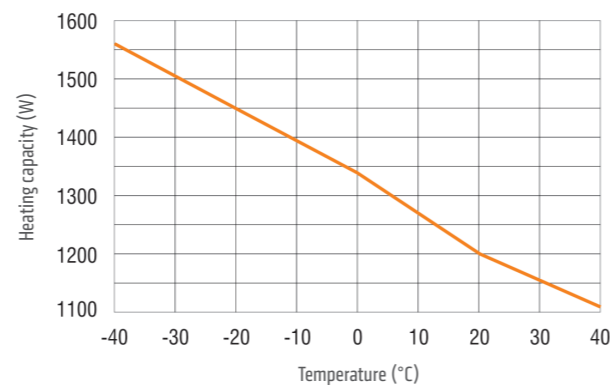


## TECHNICAL DATA

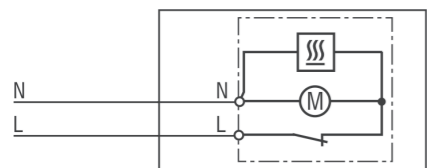
Heating element	PTC resistor – temperature limiting
Temperature safety cut-out	to protect against overheating in case of fan failure, automatic reset
Axial fan, ball bearing	airflow 160 m <sup>3</sup> /h, free flow service life 50,000 h at +25 °C (+77 °F)
Connection	2-pole max. 2.5 mm <sup>2</sup> , clamping screw with strain relief, torque 0.8 Nm max.
Casing	plastic according to UL94 V-0, black
Mounting	screw fixing (M5)
Fitting position	vertical airflow (air outlet up)
Dimensions	168 x 145 x 120 mm
Weight	~ 1.2 kg
Operating/Storage temperature	-45 to +70 °C (-49 to +158 °F)
Operating/Storage humidity	< 90 % RH (non-condensing)
Protection type/Protection class	IP20 / II (double insulated)



Heating capacity / Ambient temperature diagram CS 030



Connection diagram



Art. No.	Model	Operating voltage	Heating capacity <sup>1</sup>	Inrush current max.	Recommended pre-fuse T (time-delay)	Setting range <sup>2</sup>	Approvals
03060.0-00	Fan Heater with thermostat	AC 230 V, 50/60 Hz	1,200 W	13.0 A	10.0A	0 to +60 °C	VDE UL File No. E150057 <sup>3</sup> EAC
03060.0-01	Fan Heater without thermostat	AC 230 V, 50/60 Hz	1,200 W	13.0 A	10.0A	-	VDE UL File No. E150057 <sup>3</sup> EAC
03060.9-00	Fan Heater with thermostat	AC 120 V, 50/60 Hz	1,200 W	16.0 A	16.0A	+32 to +140 °F	UL File No. E150057 <sup>3</sup> EAC
03060.9-01	Fan Heater without thermostat	AC 120 V, 50/60 Hz	1,200 W	16.0 A	16.0A	-	UL File No. E150057 <sup>3</sup> EAC

<sup>1</sup> at +20 °C (+68 °F) ambient temperature; <sup>2</sup> Switch temperature difference 7 K (±4 K tolerance); <sup>3</sup> according to UL 508A, NITW File on request

## ENCLOSURE HEATER WITH FAN

CS 130 | 1,200 W



- > Compact design
- > High heating performance
- > Double insulated

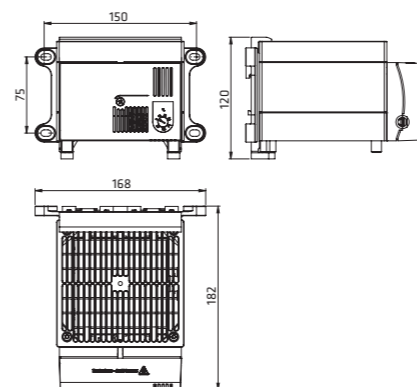
- > Integrated thermostat (optional)
- > Optional clip or screw fixing

The compact high performance fan heater prevents formation of condensation and frost and provides an evenly distributed interior air temperature in enclosures with electric/electronic components. The plastic housing provides double insulation and acts as protection against contact. The fan heater is available with optional integrated thermostat for temperature control. The CS 130 was designed as a stationary unit for wall fixing. For fixing on the bottom of the enclosure the fan heater CS 030 is recommended.

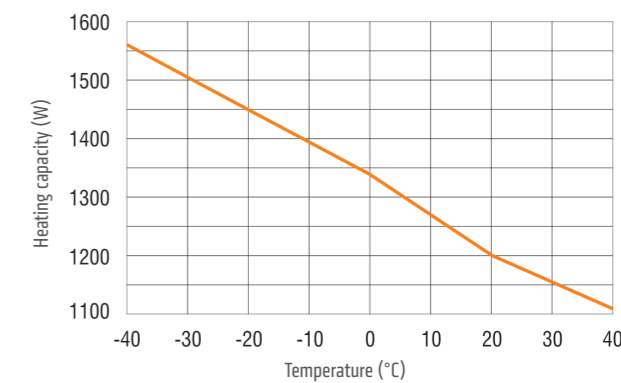


## TECHNICAL DATA

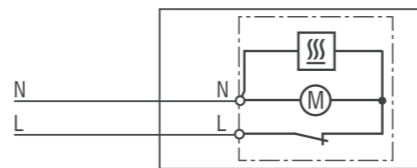
Heating element	PTC resistor – temperature limiting
Temperature safety cut-out	to protect against overheating in case of fan failure, automatic reset
Axial fan, ball bearing	airflow 160 m <sup>3</sup> /h, free flow service life 50,000 h at +25 °C (+77 °F)
Connection	2-pole max. 2.5 mm <sup>2</sup> , clamping screw with strain relief, torque 0.8 Nm max.
Casing	plastic according to UL94 V-0, black
Mounting	clip for 35 mm DIN rail, EN 60715 or screw fixing (M6)
Fitting position	vertical airflow (air outlet up)
Dimensions	182 x 168 x 120 mm
Weight	~ 1.3 kg
Operating/Storage temperature	-45 to +70 °C (-49 to +158 °F)
Operating/Storage humidity	< 90 % RH (non-condensing)
Protection type/Protection class	IP20 / II (double insulated)



Heating capacity / Ambient temperature diagram CS 130



Connection diagram



Art. No.	Model	Operating voltage	Heating capacity <sup>1</sup>	Inrush current max.	Recommended pre-fuse T (time-delay)	Setting range <sup>2</sup>	Approvals
13060.0-00	Fan Heater with thermostat	AC 230 V, 50/60 Hz	1,200 W	13.0 A	10.0 A	0 to +60 °C	VDE UL File No. E150057 <sup>3</sup> EAC
13060.0-01	Fan Heater without thermostat	AC 230 V, 50/60 Hz	1,200 W	13.0 A	10.0 A	-	VDE UL File No. E150057 <sup>3</sup> EAC
13060.9-00	Fan Heater with thermostat	AC 120 V, 50/60 Hz	1,200 W	16.0 A	16.0 A	+32 to +140 °F	UL File No. E150057 <sup>3</sup> EAC
13060.9-01	Fan Heater without thermostat	AC 120 V, 50/60 Hz	1,200 W	16.0 A	16.0 A	-	UL File No. E150057 <sup>3</sup> EAC

<sup>1</sup> at +20 °C (+68 °F) ambient temperature; <sup>2</sup> Switch temperature difference 7 K (±4 K tolerance); <sup>3</sup> according to UL 508A, NITW File on request

## ENCLOSURE HEATER WITH FAN

DCR 030 | DC 24 V, DC 56 V – 200 W to 800 W



- > High DC heating performance
- > Integrated thermostat or hygrostat (optional)
- > Small hysteresis
- > Integrated switch module
- > Screw fixing
- > Optical indicator (LED)

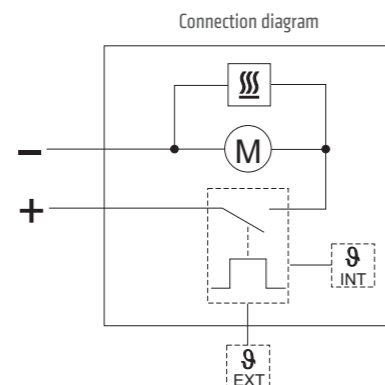
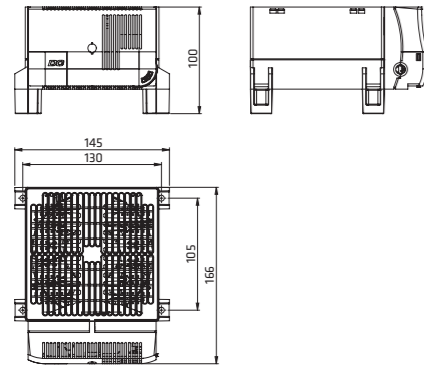
The compact high performance fan heater prevents formation of condensation and frost and provides an evenly distributed interior air temperature in enclosures with electric/electronic components. The fan heater is available with an integrated electronic thermostat or integrated electronic hygrostat. The model with thermostat is available with internal or external sensor. The fan heater with integrated hygrostat is equipped with an external sensor. The external sensor can be positioned freely anywhere in the enclosure for precise measurements of temperature and humidity. The DCR 030 was designed as a stationary unit for the bottom of the enclosure. For wall fixing the fan heater DCR 130 is recommended.



### TECHNICAL DATA

Heating element	high performance cartridge
Temperature safety cut-out	with automatic reset and second-tier one shot fuse to protect against overheating in case of fan failure
Heater body	extruded aluminium profile
Axial fan, ball bearing	airflow 160 m <sup>3</sup> /h, free flow service life 50,000 h at +25 °C (+77 °F)
Connection	2-pole „Push-In“ connection clamp stranded wire <sup>1</sup> 1.5 mm <sup>2</sup> (AWG 16) with strain relief; max. 2.5 mm <sup>2</sup> (AWG 12)
Casing	plastic according to UL94 V-0, black
Mounting	screw fixing (M5), torque 2 Nm max., washers have to be used
Fitting position	vertical airflow (air outlet up)
Dimensions	166 x 145 x 100 mm
Weight	~ 1.3 kg
Operating temperature	-20 to +75 °C (-4 to +167 °F)
Storage temperature	-40 to +80 °C (-40 to +176 °F)
Operating / Storage humidity	max. 90 % RH (non-condensing)
Protection type / Protection class	IP20 / II (double insulated)
Approvals	UL File No. E234324, VDE, EAC
Note	other versions (heating capacities, setting ranges) as well as operating voltage DC 48 V on request

<sup>1</sup> When connecting with stranded wires, wire end ferrules must be used.



Art. No.	Model	Operating voltage	Heating capacity	Recommended pre-fuse T (time-delay)	Setting range <sup>3</sup> temperature / humidity
03092.1-12	Fan heater with integrated thermostat with internal temperature sensor	DC 24 V	200 W	16,0 A	-20 to +40 °C
03092.1-13	Fan heater with integrated thermostat with connector for external temperature sensor <sup>2</sup>	DC 24 V	200 W	16,0 A	-20 to +40 °C
03097.3-12	Fan heater with integrated thermostat with internal temperature sensor	DC 56 V	800 W	20,0 A	-20 to +40 °C
03097.3-13	Fan heater with integrated thermostat with connector for external temperature sensor <sup>2</sup>	DC 56 V	800 W	20,0 A	-20 to +40 °C
03092.1-03	Fan heater with integrated hygrostat with connector for external humidity sensor <sup>2</sup>	DC 24 V	200 W	16,0 A	40 to 90 % RH
03095.3-03	Fan heater with integrated hygrostat with connector for external humidity sensor <sup>2</sup>	DC 56 V	600 W	20,0 A	40 to 90 % RH

<sup>2</sup> The external sensor needs to be ordered separately.

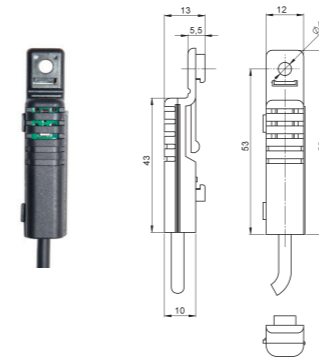
<sup>3</sup> Switch difference temperature: 3 K (±1 K tolerance) at +25 °C (+77 °F), 50 % RH; switch difference humidity: 4 % RH (±1 % tolerance) at +25 °C (+77 °F), 50 % RH.

### ACCESSORIES

The external sensor is not included in the delivery of the DCR 030. It can be ordered separately.

### EXTERNAL SENSOR

The external sensor can be positioned freely anywhere in the enclosure for precise measurements of temperature and humidity.



Art. No.	Length
267071	1 m
267072	2 m
267126	3 m

## ENCLOSURE HEATER WITH FAN

DCR 130 | DC 24 V, DC 56 V – 200 W to 800 W



- > High DC heating performance
- > Integrated thermostat or hygrostat (optional)
- > Small hysteresis
- > Integrated switch module
- > Optional clip or screw fixing
- > Optical indicator (LED)

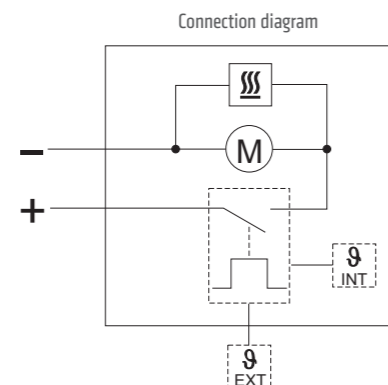
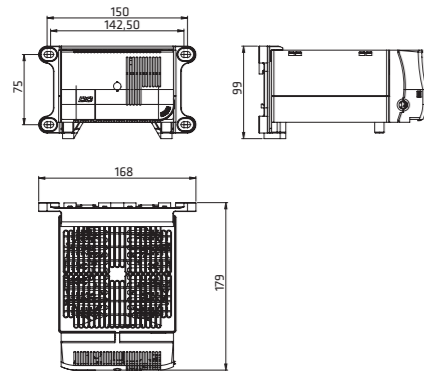
The compact high performance fan heater prevents formation of condensation and frost and provides an evenly distributed interior air temperature in enclosures with electric/electronic components. The fan heater is available with an integrated electronic thermostat or electronic hygrostat. The model with thermostat is available with internal or external sensor. The fan heater with integrated hygrostat is equipped with an external sensor. The external sensor can be positioned freely anywhere in the enclosure for precise measurements of temperature and humidity. The DCR 130 was designed for wall fixing. For fixing on the bottom of the enclosure the fan heater DCR 030 is recommended.



### TECHNICAL DATA

Heating element	high performance cartridge
Temperature safety cut-out	with automatic reset and second-tier one shot fuse to protect against overheating in case of fan failure
Heater body	extruded aluminium profile
Axial fan, ball bearing	airflow 160 m <sup>3</sup> /h, free flow service life 50,000 h at +25 °C (+77 °F)
Connection	2-pole „Push-In“ connection clamp stranded wire <sup>1</sup> 1.5 mm <sup>2</sup> (AWG 12) with strain relief; max. 2.5 mm <sup>2</sup> (AWG 12)
Casing	plastic according to UL94 V-0, black
Mounting	clip for 35 mm DIN rail, EN 60715 or screw fixing (M6), torque 2 Nm max., washers have to be used
Fitting position	vertical airflow (air outlet up)
Dimensions	179 x 168 x 99 mm
Weight	~ 1.3 kg
Operating temperature	-20 to +75 °C (-4 to +167 °F)
Storage temperature	-40 to +80 °C (-40 to +176 °F)
Operating / Storage humidity	< 90 % RH (non-condensing)
Protection type / Protection class	IP20 / II (double insulated)
Approvals	UL File No. E234324, VDE, EAC
Note	other versions (heating capacities, setting ranges) as well as operating voltage DC 48 V on request

<sup>1</sup> When connecting with stranded wires, wire end ferrules must be used.



Art. No.	Model	Operating voltage	Heating capacity	Recommended pre-fuse I (time-delay)	Setting range <sup>3</sup> temperature / humidity
13092.1-12	Fan heater with integrated thermostat with internal temperature sensor	DC 24 V	200 W	16,0 A	-20 to +40 °C
13092.1-13	Fan heater with integrated thermostat with connector for external temperature sensor <sup>2</sup>	DC 24 V	200 W	16,0 A	-20 to +40 °C
13097.3-12	Fan heater with integrated thermostat with internal temperature sensor	DC 56 V	800 W	20,0 A	-20 to +40 °C
13097.3-13	Fan heater with integrated thermostat with connector for external temperature sensor <sup>2</sup>	DC 56 V	800 W	20,0 A	-20 to +40 °C
13092.1-03	Fan heater with integrated hygrostat with connector for external humidity sensor <sup>2</sup>	DC 24 V	200 W	16,0 A	40 to 90 % RH
13095.3-03	Fan heater with integrated hygrostat with connector for external humidity sensor <sup>2</sup>	DC 56 V	600 W	20,0 A	40 to 90 % RH

<sup>2</sup> The external sensor needs to be ordered separately.

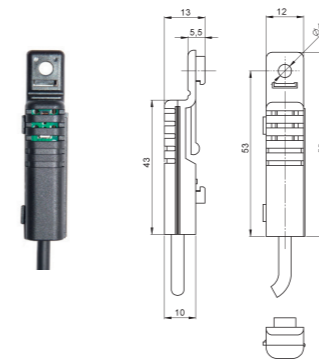
<sup>3</sup> Switch difference temperature: 3 K (±1 K tolerance) at +25 °C (+77 °F), 50 % RH; switch difference humidity: 4 % RH (±1 % tolerance) at +25 °C (+77 °F), 50 % RH.

### ACCESSORIES

The external sensor is not included in the delivery of the DCR 130. It can be ordered separately.

### EXTERNAL SENSOR

The external sensor can be positioned freely anywhere in the enclosure for precise measurements of temperature and humidity.



Art. No.	Length
267071	1 m
267072	2 m
267126	3 m

## EXPLOSION-PROOF ENCLOSURE HEATER

CREX 020 | 50 W to 250 W (T3)



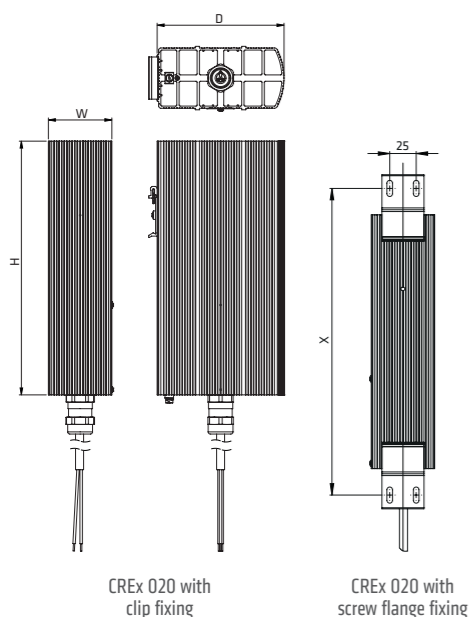
- > For areas with explosion and firedamp hazard
- > Large convection surface
- > Clip and screw flange fixing
- > Ready-to-use with strain relief
- > Maintenance free
- > Temperature class T3

Compact convection heater of temperature class T3 (Surface temperature 200 °C max.) for the prevention of formation of condensation, temperature fluctuations, and for protection against frost within control and switch cabinets, as well as measuring equipment located in areas with explosion hazard, underground mines or mines susceptible to firedamp.



## TECHNICAL DATA

Ex Protection type	Ex II 2 GD
Gases	Ex db IIC T3 Gb
Dusts	Ex tb IIIC T200°C Db IP66
Mine applications	I M2 Ex db I Mb
Surface temperature	< +200 °C (+392 °F)
Heating element	high performance cartridge
Heating body	aluminium profile, silver anodised
Connection	1 m silicone cable (halogen-free) 3 x 0.75 mm <sup>2</sup>
Connection PE	0.75 to 2.5 mm <sup>2</sup>
Mounting	clip for 35 mm DIN rail, EN 60715 for heating body sizes 80 x 48 mm and 120 x 60 mm and screw fixing with 2 plug-on flanges for all heating body sizes, optional widthwise mounting
Fitting position	vertical airflow (connection on bottom)
Operating/Storage temperature	-60 to +85 °C (-76 to +185 °F)
Operating/Storage humidity	< 90 % RH (non-condensing)
Protection type/Protection class	IP66 / I (earthed)
Approvals	EPS 16 ATEX 1 109 X IECEX EPS 16.0048X IN METRO DNV 18.0010 X EAC TC RU C-FR.1608.B.02639



Art. No.	Hole spacing for screw flange fixing	Operating voltage	Heating capacity	Rec. pre-fuse T (time-delayed)	Dimensions (D x W x H)	Weight (approx.)
02031.0-00	150 mm	AC 230 V	50 W	0.5 A	80 x 48 x 110 mm	0.7 kg
02032.0-00	225 mm	AC 230 V	100 W	1.0 A	80 x 48 x 180 mm	1.0 kg
02033.0-00	225 mm	AC 230 V	150 W	1.5 A	120 x 60 x 180 mm	1.4 kg
02034.0-00	300 mm	AC 230 V	200 W	2.0 A	120 x 60 x 240 mm	1.7 kg
02035.0-10 <sup>1</sup>	275 mm	AC 230 V	250 W	2.5 A	160 x 80 x 220 mm	2.3 kg
02031.9-00	150 mm	AC 120 V	50 W	1.0 A	80 x 48 x 110 mm	0.7 kg
02032.9-00	225 mm	AC 120 V	100 W	2.0 A	80 x 48 x 180 mm	1.0 kg
02033.9-00	225 mm	AC 120 V	150 W	3.0 A	120 x 60 x 180 mm	1.4 kg
02034.9-00	300 mm	AC 120 V	200 W	4.0 A	120 x 60 x 240 mm	1.7 kg
02035.9-10 <sup>1</sup>	275 mm	AC 120 V	250 W	5.0 A	160 x 80 x 220 mm	2.3 kg

<sup>1</sup> only screw flange fixing

## EXPLOSION-PROOF ENCLOSURE HEATER

CREX 020 | 50 W to 200 W (T4)



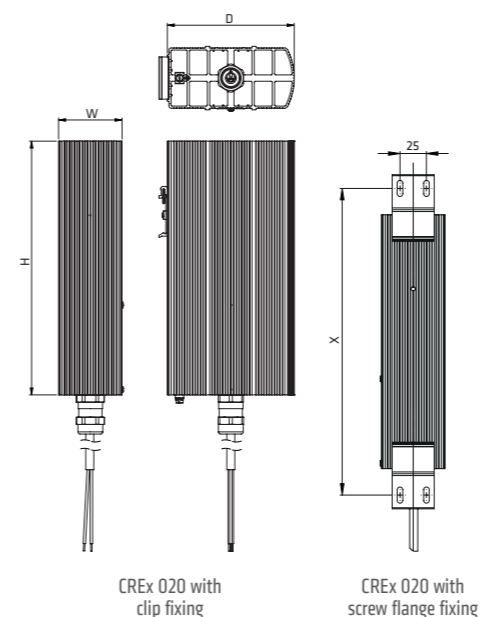
- > For areas with explosion and firedamp hazard
- > Large convection surface
- > Clip and screw flange fixing
- > Ready-to-use with strain relief
- > Maintenance free
- > Temperature class T4

Compact convection heater of temperature class T4 (Surface temperature 135 °C max.) for the prevention of formation of condensation, temperature fluctuations, and for protection against frost within control and switch cabinets, as well as measuring equipment located in areas with explosion hazard, underground mines or mines susceptible to firedamp.



## TECHNICAL DATA

Ex Protection type	Ex II 2 GD
Gases	Ex db IIC T4 Gb
Dusts	Ex tb IIIC T135°C Db IP66
Mine applications	I M2 Ex db I Mb
Surface temperature	< +135 °C (+275 °F)
Heating element	high performance cartridge
Heating body	aluminium profile, silver anodised
Connection	1 m silicone cable (halogen-free) 3 x 0.75 mm <sup>2</sup>
Connection PE	0.75 to 2.5 mm <sup>2</sup>
Mounting	clip for 35 mm DIN rail, EN 60715 for heating body sizes 80 x 48 mm and 120 x 60 mm and screw fixing with 2 plug-on flanges for all heating body sizes, optional widthwise mounting
Fitting position	vertical airflow (connection on bottom)
Operating/Storage temperature	-60 to +50 °C (-76 to +122 °F) / -60 to +85 °C (-76 to +185 °F)
Operating/Storage humidity	< 90 % RH (non-condensing)
Protection type/Protection class	IP66 / I (earthed)
Approvals	EPS 16 ATEX 1 109 X IECEX EPS 16.0048X IN METRO DNV 18.0010 X EAC TC RU C-FR.1608.B.02639



Art. No.	Hole spacing for screw flange fixing	Operating voltage	Heating capacity	Rec. pre-fuse T (time-delayed)	Dimensions (D x W x H)	Weight (approx.)
02041.0-00	150 mm	AC 230 V	50 W	0.5 A	80 x 48 x 110 mm	0.7 kg
02042.0-00	225 mm	AC 230 V	100 W	1.0 A	120 x 60 x 180 mm	1.4 kg
02043.0-10 <sup>1</sup>	275 mm	AC 230 V	150 W	1.5 A	160 x 80 x 220 mm	2.3 kg
02044.0-10 <sup>1</sup>	350 mm	AC 230 V	200 W	2.0 A	160 x 80 x 300 mm	2.8 kg
02041.9-00	150 mm	AC 120 V	50 W	1.0 A	80 x 48 x 110 mm	0.7 kg
02042.9-00	225 mm	AC 120 V	100 W	2.0 A	120 x 60 x 180 mm	1.4 kg
02043.9-10 <sup>1</sup>	275 mm	AC 120 V	150 W	3.0 A	160 x 80 x 220 mm	2.3 kg
02044.9-10 <sup>1</sup>	350 mm	AC 120 V	200 W	4.0 A	160 x 80 x 300 mm	2.8 kg

<sup>1</sup> only screw flange fixing



## EXPLOSION-PROOF ENCLOSURE HEATER

CREx 020 | 50 W, 100 W (T5)



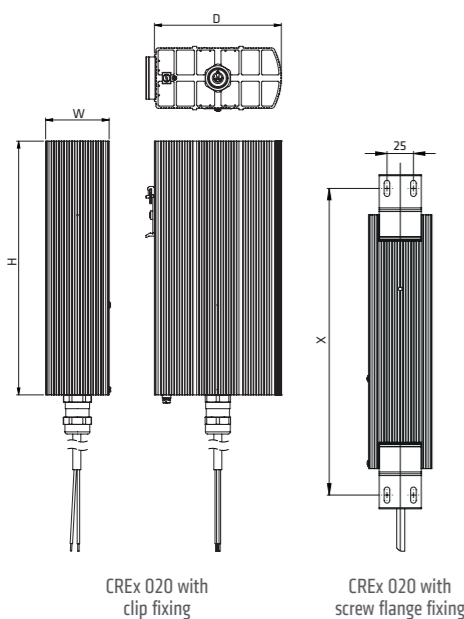
- > For areas with explosion and firedamp hazard
- > Large convection surface
- > Clip and screw flange fixing
- > Ready-to-use with strain relief
- > Maintenance free
- > Temperature class T5

Compact convection heater of temperature class T5 (Surface temperature 100 °C max.) for the prevention of formation of condensation, temperature fluctuations, and for protection against frost within control and switch cabinets, as well as measuring equipment located in areas with explosion hazard, underground mines or mines susceptible to firedamp.



### TECHNICAL DATA

Ex Protection type	Ex II 2 GD
Gases	Ex db IIC T5 Gb
Dusts	Ex tb IIIC T100°C Db IP66
Mine applications	I M2 Ex db I Mb
Surface temperature	< +100 °C (+212 °F)
Heating element	high performance cartridge
Heating body	aluminium profile, silver anodised
Connection	1 m silicone cable (halogen-free) 3 x 0.75 mm <sup>2</sup>
Connection PE	0.75 to 2.5 mm <sup>2</sup>
Mounting	clip for 35 mm DIN rail, EN 60715 for heating body size 120 x 60 mm and screw fixing with 2 plug-on flanges for all heating body sizes, optional widthwise mounting
Fitting position	vertical airflow (connection on bottom)
Storage temperature	-60 to +50 °C (-76 to +122 °F) / -60 to +85 °C (-76 to +185 °F)
Operating/Storage humidity	< 90 % RH (non-condensing)
Protection type/Protection class	IP66 / I (earthed)
Approvals	EPS 16 ATEX 1109 X IECEx EPS 16.0048X IN METRO DNV 18.0010 X EAC TC RU C-FR.1608.B.02639



CREx 020 with clip fixing

CREx 020 with screw flange fixing

Art. No.	Hole spacing for screw flange fixing	Operating voltage	Heating capacity	Rec. pre-fuse T (time-delayed)	Dimensions (D x W x H)	Weight (approx.)
02051.0-00	225 mm	AC 230 V	50 W	0.5 A	120 x 60 x 180 mm	1.4 kg
02052.0-10 <sup>1</sup>	350 mm	AC 230 V	100 W	1.0 A	160 x 80 x 300 mm	2.8 kg
02051.9-00	225 mm	AC 120 V	50 W	1.0 A	120 x 60 x 180 mm	1.4 kg
02052.9-10 <sup>1</sup>	350 mm	AC 120 V	100 W	2.0 A	160 x 80 x 300 mm	2.8 kg

<sup>1</sup> only screw flange fixing

www.stego.de | www.stego.co.uk | www.stegonorden.se

20.10.2021 | Specifications are subject to change without notice. Errors and omissions excepted. Suitability of this product for its intended use and any associated risks must be determined by the end customer/buyer in its final application.



# COOLING

## PROTECTION AGAINST OVERHEATING

To protect installations from excessively high temperatures STEGO filter fans ensure efficient cooling by circulating air.

## INNOVATIVE VENTILATING TECHNOLOGY FOR ENCLOSURES: FILTER FAN PLUS COOLS WITH A 'PLUS' OF AIR

Optimum usage of space is always important in systems with electric or electronic components. Sophisticated enclosure applications often come with a high density of components. High temperatures within the enclosure may cause malfunctions if not addressed. With STEGO's new Filter Fan Plus and its innovative air-flap outlet technology you are safe in the knowledge that sensitive components, in all kinds of applications, are safeguarded against overheating and malfunction.

### ➤ NEW AIR-FLAP OUTLET TECHNOLOGY FOR ENHANCED AIRFLOW



The new air-flap outlet technology eliminates the need for the filter mat for the air outlet, enhancing in turn the exiting airflow. So, using the same cut-out in an enclosure wall more air can be exchanged. Leading to more efficient cooling of the application. Another advantage: The flaps stay closed and dirt stays out when the fan is not in operation.

### ➤ ONLY ONE FILTER MAT SAVES COSTS

Flaps instead of mats: In contrast to conventional systems the Filter Fan Plus only requires one filter mat. This reduces maintenance work and costs.

### ➤ SECURE AND STABLE: TOOL-FREE RATCHET MOUNT MECHANISM



The Filter Fan Plus is placed in the enclosure cut-out from the outside of the enclosure and mounted tool-free. By pressing the built-in ratchet braces the filter fan is pulled into the cabinet wall. The ratchet braces snap into place, giving the installer audible feedback that the filter fan is now installed securely. The ratchet mount is suitable for a wall thickness from 1 to 4 mm.

### ➤ IP54 | UL TYPE 12 | NEMA 12 DUST AND SPLASH WATER PROTECTION

The new Filter Fan Plus protects against dust and splash water. Proven by successfully completed protection type tests carried-out by independent testing and certification agencies, like VDE and Underwriters Laboratories (UL).

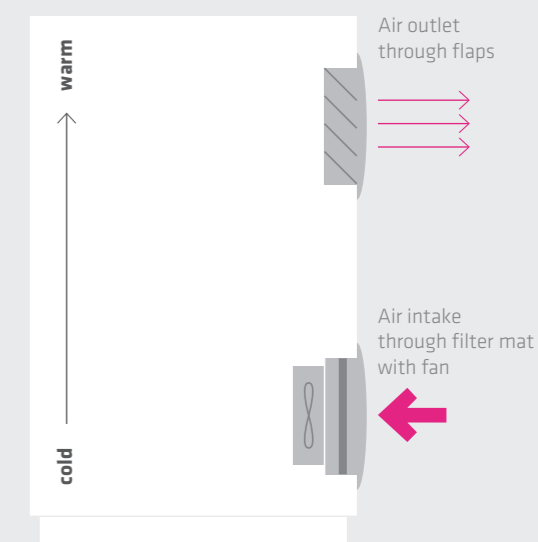
## IN OR OUT? MORE AIRFLOW IN ANY CASE.

With its unique technology, the Filter Fan Plus achieves a more effective air circulation and offers a considerable plus in airflow. The result: A noticeable increase in cool air gets into the enclosure. At the same time, warm air is expelled faster and more effectively to the outside.

The Filter Fan Plus is available in two high performance systems, ensuring the right combination to suit every application.

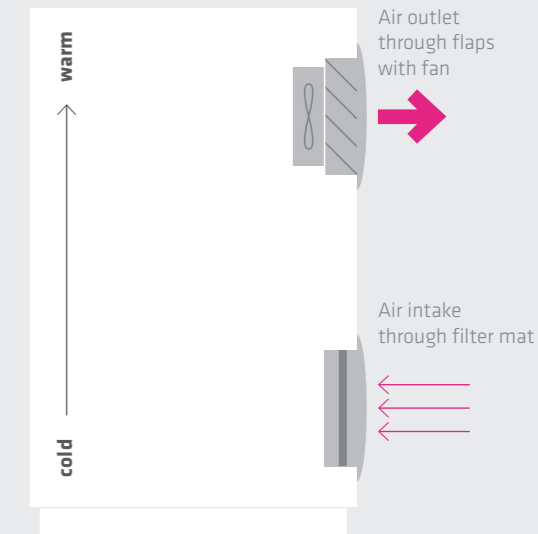
### SYSTEM FPI AIRFLOW DIRECTION „IN“

This is the more common approach: a filter fan with filter mat is located in the lower part of the enclosure and draws air from the outside. The air rises to the top of the enclosure, cooling the internal space and pushing the warm interior air through the air outlet. Whereas this air outlet now pulls more effectively, thanks to our new air-flap outlet technology.



### SYSTEM FPO AIRFLOW DIRECTION „OUT“

In this alternative approach, where it may be necessary to expel heat build-up more directly from the upper part of the enclosure, we recommend a more active evacuation of the hot air. For this purpose the fan in combination with the effective flap technology is placed in the upper part of the cabinet. The heat can be diverted quicker from the critical area. An intake filter with mat is needed in the lower part of the enclosure to allow the colder air from the outside to enter.



## FILTER FAN PLUS

FPI/FPO 018 | up to 32 m<sup>3</sup>/h (92 x 92 mm)



- > New air-flap outlet technology for high airflow
- > Easy mounting
- > Protection type test/Environmental rating by independent testing institutes (VDE and UL)
- > Two systems for optimal airflow (FPI/FPO)
- > Standard enclosure cut-out sizes (5 sizes)
- > One filter mat

Filter fans are used to provide an optimum climate in enclosures and cabinets with electrical/electronic components. The interior temperature of an enclosure can be reduced by channelling cooler filtered outside air into the enclosure thus expelling heated internal air. The resulting airflow prevents formation of localised hot pockets in installations and protects electronic components from overheating. The benefits of our Filter Fan Plus series are described in detail in the catalogue on page 50/51.

The Filter Fan Plus series may also be used outdoors with appropriate protective measures or when equipped with weather proof accessories, e.g. Hose-proof Hood FFH 086.

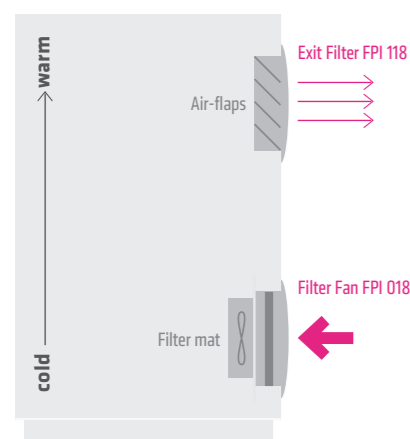


### TECHNICAL DATA

Axial fan, ball bearing	service life L10 at +40 °C (+104 °F): min. 50,000 h fan body aluminium, rotor metal
Connection	2 stranded wires, 300 mm
Casing, hood, flaps	plastic according to UL94 V-0, light grey; UV light resistant according to UL746C (f1)
Enclosure cut-out	92 x 92 <sup>1</sup> mm
Mounting frame	4 built-in ratchet braces for mounting (6 notches for wall thickness 1 – 4 mm). Additional use of screws possible if needed <sup>1</sup> .
Filter mat	ISO coarse 55 % acc. to ISO 16890 (G3), initial gravimetric arrestance 57 %
Filter material	synthetic fibre with progressive construction, temperature resistant to +100 °C, self-extinguishing class F1, moisture resistant to 100 % RH, reusable
Operating/Storage temperature	-40 to +70 °C (-40 to +158 °F)
Operating/Storage humidity	< 90 % RH (non-condensing)
Protection type/Protection class with Hose-proof Hood FFH 086	IP54 / I (earthed) IP56 / I (earthed)
Environmental rating UL/NEMA with Hose-proof Hood FFH 086	UL TYPE 12 / NEMA 12 UL TYPE 3, 3R, 4, 4X
Approvals	VDE, UL File No. E234324, EAC
Note	other voltages on request

<sup>1</sup> Drilling marks for screw mounting are indicated on mounting frame.

### SYSTEM FPI



### AIRFLOW DIRECTION "IN": FILTER FAN FPI 018

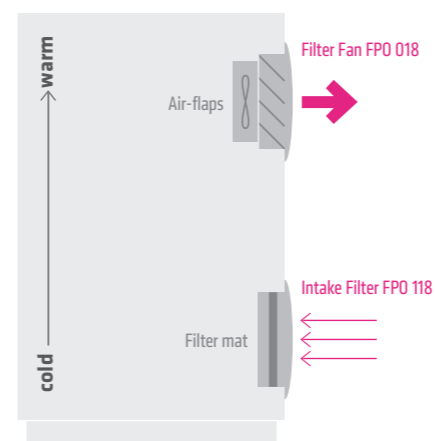
Art. No.	Operating voltage <sup>2</sup>	Air volume, free flow	Air volume with exit filter	Current consumption (50/60 Hz)	Power consumption	Average noise level (DIN EN ISO 4871)	Depth in enclosure	Weight (approx.)	Filter mat
01870.0-30	AC 230 V, 50 Hz	19 m <sup>3</sup> /h	13 m <sup>3</sup> /h	70 mA	12 W	39 db (A)	66 mm	0.6 kg	G3
01870.9-30	AC 115 V, 60 Hz	23 m <sup>3</sup> /h	16 m <sup>3</sup> /h	115 mA	11 W	43 db (A)	66 mm	0.6 kg	G3

<sup>2</sup> Data for alternative operating voltages and frequency in consultation

### AIRFLOW DIRECTION "IN": EXIT FILTER FPI 118

Art. No.	Depth in enclosure	Weight (approx.)	Air outlet
11870.0-00	29 mm	0.2 kg	air-flap outlet technology

### SYSTEM FPO



### AIRFLOW DIRECTION "OUT": FILTER FAN FPO 018

Art. No.	Operating voltage <sup>2</sup>	Air volume, free flow	Air volume with intake filter	Current consumption (50/60 Hz)	Power consumption	Average noise level (DIN EN ISO 4871)	Depth in enclosure	Weight (approx.)	Air outlet
01880.0-00	AC 230 V, 50 Hz	24 m <sup>3</sup> /h	15 m <sup>3</sup> /h	70 mA	12 W	38 db (A)	72 mm	0.6 kg	air-flaps
01880.9-00	AC 115 V, 60 Hz	32 m <sup>3</sup> /h	19 m <sup>3</sup> /h	115 mA	12 W	41 db (A)	72 mm	0.6 kg	air-flaps

<sup>2</sup> Data for alternative operating voltages and frequency in consultation

### AIRFLOW DIRECTION "OUT": INTAKE FILTER FPO 118

Art. No.	Depth in enclosure	Weight (approx.)	Filter mat
11880.0-30	22 mm	0.2 kg	ISO coarse 55 % acc. to ISO 16890 (G3), initial gravimetric arrestance 57 %

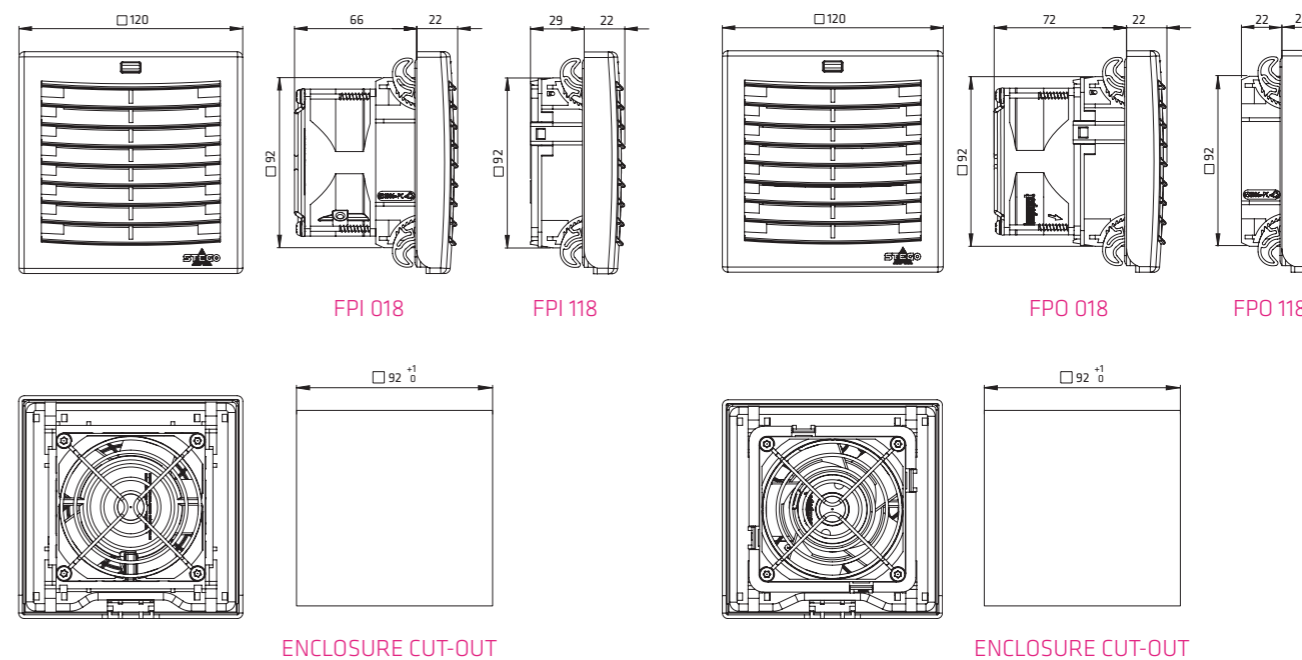
### HOSE-PROOF HOOD FFH 086

Art. No.	Cutout usable for FPI/FPO 018	Dimensions L x B x H	Max. covered area (X x Y)	Weight (approx)
08670.0-00	92 x 92 mm	214 x 195 x 48 mm	143 x 130 mm	0.8 kg

### FILTER MAT FM 086

Filter class	84 x 84 mm	Initial gravimetric arrestance	1 packing unit
ISO coarse 55 % acc. to ISO 16890 (G3)	Art. No. 08633.0-00	57 %	5 pieces

### TECHNICAL DRAWINGS



# FILTER FAN PLUS

FPI/FPO 018 | up to 117 m³/h (124 x 124 mm)



- > New air-flap outlet technology for high airflow
- > Easy mounting
- > Protection type test/Environmental rating by independent testing institutes (VDE and UL)
- > Two systems for optimal airflow (FPI/FPO)
- > Standard enclosure cut-out sizes (5 sizes)
- > One filter mat

Filter fans are used to provide an optimum climate in enclosures and cabinets with electrical/electronic components. The interior temperature of an enclosure can be reduced by channelling cooler filtered outside air into the enclosure thus expelling heated internal air. The resulting airflow prevents formation of localised hot pockets in installations and protects electronic components from overheating. The benefits of our Filter Fan Plus series are described in detail in the catalogue on page 50/51.

The Filter Fan Plus series may also be used outdoors with appropriate protective measures or when equipped with weather proof accessories, e.g. Hose-proof Hood FFH 086.

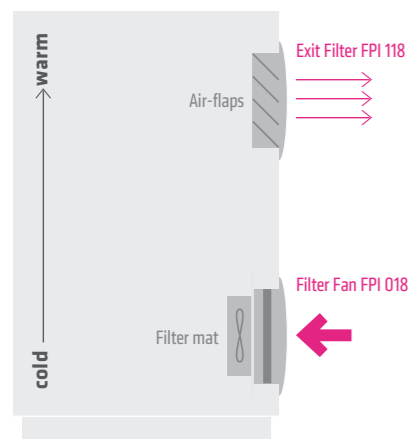


### TECHNICAL DATA

<b>Axial fan, ball bearing</b>	service life L10 at +40 °C (+104 °F): min. 37,000 h fan body aluminium, rotor metal
<b>Connection</b>	2 stranded wires, 300 mm
<b>Casing, hood, flaps</b>	plastic according to UL94 V-0, light grey; UV light resistant according to UL746C (f1)
<b>Enclosure cut-out</b>	124 x 124 <sup>1</sup> mm
<b>Mounting frame</b>	4 built-in ratchet braces for mounting (6 notches for wall thickness 1 – 4 mm). Additional use of screws possible if needed <sup>1</sup> .
<b>Filter mat</b>	ISO coarse 55 % acc. to ISO 16890 (G3), initial gravimetric arrestance 57 %
<b>Filter material</b>	synthetic fibre with progressive construction, temperature resistant to +100 °C, self-extinguishing class F1, moisture resistant to 100 % RH, reusable
<b>Operating/Storage temperature</b>	-40 to +70 °C (-40 to +158 °F)
<b>Operating/Storage humidity</b>	< 90 % RH (non-condensing)
<b>Protection type/Protection class with Hose-proof Hood FFH 086</b>	IP54 / I (earthed) IP56 / I (earthed)
<b>Environmental rating UL/NEMA with Hose-proof Hood FFH 086</b>	UL TYPE 12 / NEMA 12 UL TYPE 3, 3R, 4, 4X
<b>Approvals</b>	VDE, UL File No. E234324, EAC
<b>Note</b>	other voltages on request

<sup>1</sup> Drilling marks for screw mounting are indicated on mounting frame.

## SYSTEM FPI



### AIRFLOW DIRECTION "IN": FILTER FAN FPI 018

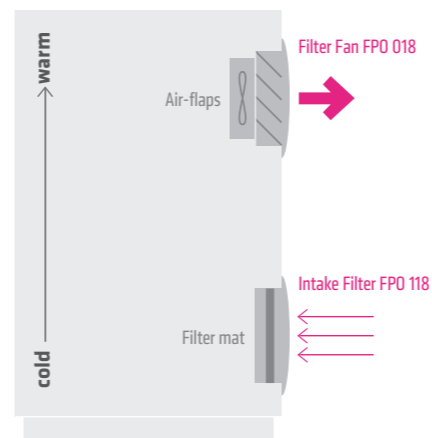
Art. No.	Operating voltage <sup>2</sup>	Air volume, free flow	Air volume with exit filter	Current consumption (50/60 Hz)	Power consumption	Average noise level (DIN EN ISO 4871)	Depth in enclosure	Weight (approx.)	Filter mat
01871.0-30	AC 230 V, 50 Hz	52 m³/h	42 m³/h	120 mA	19 W	49 db (A)	66 mm	0.8 kg	G3
01871.9-30	AC 115 V, 60 Hz	62 m³/h	51 m³/h	230 mA	18 W	53 db (A)	66 mm	0.8 kg	G3

<sup>2</sup> Data for alternative operating voltages and frequency in consultation

### AIRFLOW DIRECTION "IN": EXIT FILTER FPI 118

Art. No.	Depth in enclosure	Weight (approx.)	Air outlet
11871.0-00	35 mm	0.3 kg	air-flap outlet technology

## SYSTEM FPO



### AIRFLOW DIRECTION "OUT": FILTER FAN FPO 018

Art. No.	Operating voltage <sup>2</sup>	Air volume, free flow	Air volume with intake filter	Current consumption (50/60 Hz)	Power consumption	Average noise level (DIN EN ISO 4871)	Depth in enclosure	Weight (approx.)	Air outlet
01881.0-00	AC 230 V, 50 Hz	97 m³/h	47 m³/h	120 mA	19 W	49 db (A)	79 mm	0.9 kg	air-flaps
01881.9-00	AC 115 V, 60 Hz	117 m³/h	58 m³/h	230 mA	18 W	52 db (A)	79 mm	0.9 kg	air-flaps

<sup>2</sup> Data for alternative operating voltages and frequency in consultation

### AIRFLOW DIRECTION "OUT": INTAKE FILTER FPO 118

Art. No.	Depth in enclosure	Weight (approx.)	Filter mat
11881.0-30	22 mm	0.2 kg	ISO coarse 55 % acc. to ISO 16890 (G3), initial gravimetric arrestance 57 %

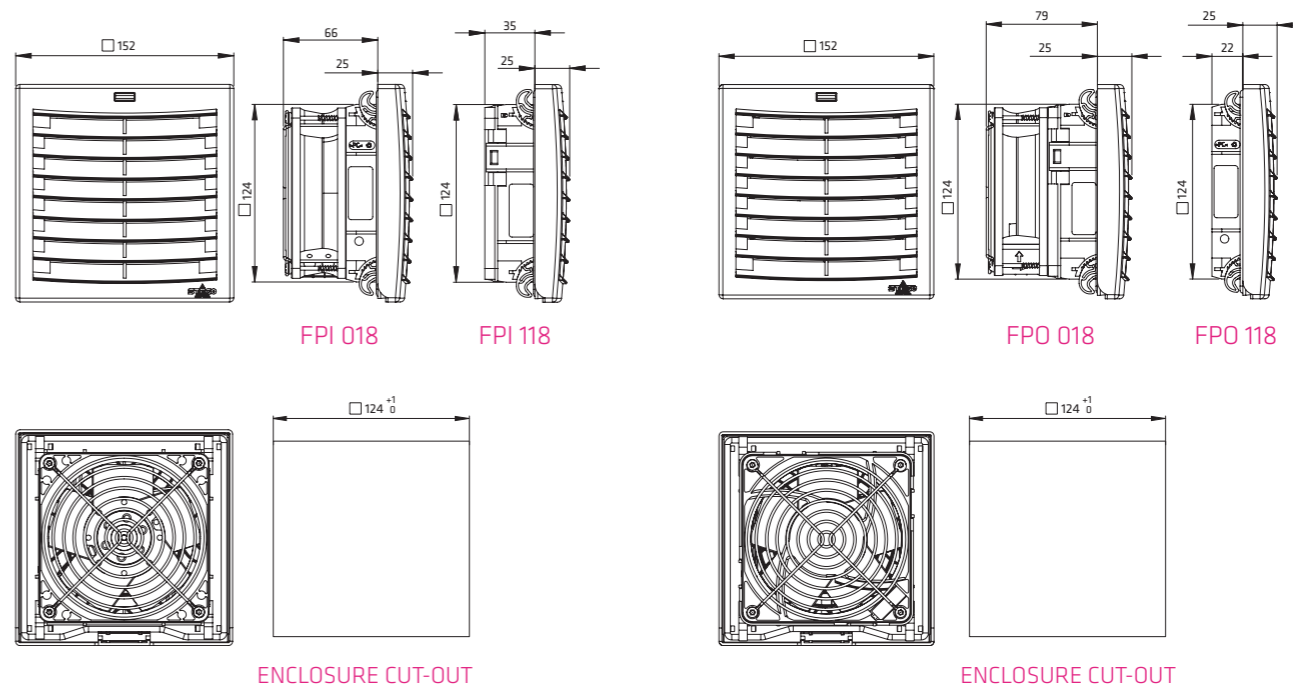
### HOSE-PROOF HOOD FFH 086

Art. No.	Cutout usable for FPI/FPO 018	Dimensions L x B x H	Max. covered area (X x Y)	Weight (approx)
08671.0-00	124 x 124 mm	279 x 225 x 58 mm	173 x 160 mm	1.2 kg

### FILTER MAT FM 086

Filter class	118 x 118 mm	Initial gravimetric arrestance	1 packing unit
ISO coarse 55 % acc. to ISO 16890 (G3)	Art. No. 08634.0-00	57 %	5 pieces

### TECHNICAL DRAWINGS



20.10.2021 | Specifications are subject to change without notice. Errors and omissions excepted. Suitability of this product for its intended use and any associated risks must be determined by the end customer/buyer in its final application. www.stego.de | www.stego.co.uk | www.stegonorden.se

20.10.2021 | Specifications are subject to change without notice. Errors and omissions excepted. Suitability of this product for its intended use and any associated risks must be determined by the end customer/buyer in its final application. www.stego.de | www.stego.co.uk | www.stegonorden.se

# FILTER FAN PLUS

FPI/FPO 018 | up to 313 m<sup>3</sup>/h (176 x 176 mm)



- > New air-flap outlet technology for high airflow
- > Easy mounting
- > Protection type test/Environmental rating by independent testing institutes (VDE and UL)
- > Two systems for optimal airflow (FPI/FPO)
- > Standard enclosure cut-out sizes (5 sizes)
- > One filter mat

Filter fans are used to provide an optimum climate in enclosures and cabinets with electrical/electronic components. The interior temperature of an enclosure can be reduced by channelling cooler filtered outside air into the enclosure thus expelling heated internal air. The resulting airflow prevents formation of localised hot pockets in installations and protects electronic components from overheating. The benefits of our Filter Fan Plus series are described in detail in the catalogue on page 50/51.

The Filter Fan Plus series may also be used outdoors with appropriate protective measures or when equipped with weather proof accessories, e.g. Hose-proof Hood FFH 086.

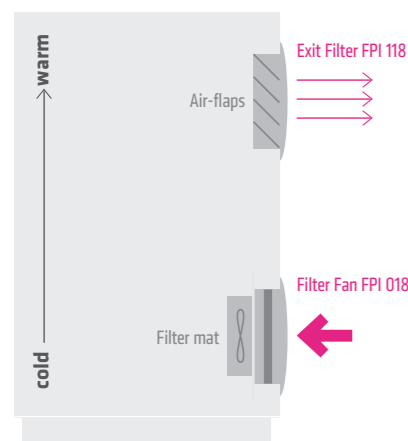


## TECHNICAL DATA

<b>Axial fan, ball bearing</b>	service life L10 at +40 °C (+104 °F): min. 65,000 h fan body aluminium, rotor metal
<b>Connection</b>	3-pole clamp for 2.5 mm <sup>2</sup> , clamping torque 0.8 Nm max.
<b>Casing, hood, flaps</b>	plastic according to UL94 V-0, light grey; UV light resistant according to UL746C (f1)
<b>Enclosure cut-out</b>	176 x 176 <sup>1</sup> mm
<b>Mounting frame</b>	4 built-in ratchet braces for mounting (6 notches for wall thickness 1 – 4 mm). Additional use of screws possible if needed <sup>1</sup> .
<b>Filter mat</b>	ISO coarse 55 % acc. to ISO 16890 (G3), initial gravimetric arrestance 57 %
<b>Filter material</b>	synthetic fibre with progressive construction, temperature resistant to +100 °C, self-extinguishing class F1, moisture resistant to 100 % RH, reusable
<b>Operating temperature</b>	50 Hz: -25 to +50 °C (-13 to +122 °F) 60 Hz: -25 to +70 °C (-13 to +158 °F)
<b>Storage temperature</b>	-40 to +70 °C (-40 to +158 °F)
<b>Operating/Storage humidity</b>	< 90 % RH (non-condensing)
<b>Protection type/Protection class with Hose-proof Hood FFH 086</b>	IP54 / I (earthed) IP56 / I (earthed)
<b>Environmental rating UL/NEMA with Hose-proof Hood FFH 086</b>	UL TYPE 12 / NEMA 12 UL TYPE 3, 3R, 4, 4X
<b>Approvals</b>	VDE, UL File No. E234324, EAC
<b>Note</b>	other voltages on request

<sup>1</sup> Drilling marks for screw mounting are indicated on mounting frame.

## SYSTEM FPI



### AIRFLOW DIRECTION "IN": FILTER FAN FPI 018

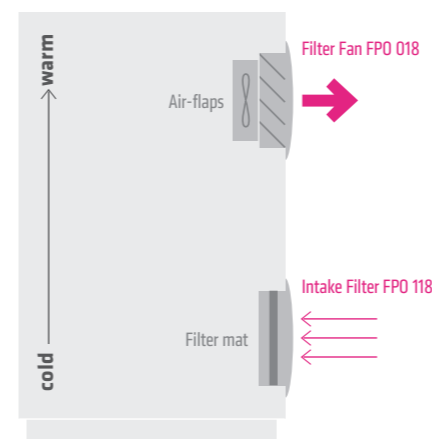
Art. No.	Operating voltage <sup>2</sup>	Air volume, free flow	Air volume with exit filter	Current consumption	Power consumption	Average noise level (DIN EN ISO 4871)	Depth in enclosure	Weight (approx.)	Filter mat
01872.0-30	AC 230 V, 50 Hz	170 m <sup>3</sup> /h	139 m <sup>3</sup> /h	310 mA	45 W	55 db (A)	117 mm	1.6 kg	G3
01872.9-30	AC 115 V, 60 Hz	204 m <sup>3</sup> /h	187 m <sup>3</sup> /h	470 mA	38 W	58 db (A)	117 mm	1.6 kg	G3

<sup>2</sup> Data for alternative operating voltages and frequency in consultation

### AIRFLOW DIRECTION "IN": EXIT FILTER FPI 118

Art. No.	Depth in enclosure	Weight (approx.)	Air outlet
11872.0-00	43 mm	0.4 kg	air-flap outlet technology

## SYSTEM FPO



### AIRFLOW DIRECTION "OUT": FILTER FAN FPO 018

Art. No.	Operating voltage <sup>2</sup>	Air volume, free flow	Air volume with intake filter	Current consumption	Power consumption	Average noise level (DIN EN ISO 4871)	Depth in enclosure	Weight (approx.)	Air outlet
01882.0-00	AC 230 V, 50 Hz	263 m <sup>3</sup> /h	137 m <sup>3</sup> /h	310 mA	45 W	56 db (A)	117 mm	1.6 kg	air-flaps
01882.9-00	AC 115 V, 60 Hz	313 m <sup>3</sup> /h	166 m <sup>3</sup> /h	470 mA	38 W	60 db (A)	117 mm	1.6 kg	air-flaps

<sup>2</sup> Data for alternative operating voltages and frequency in consultation

### AIRFLOW DIRECTION "OUT": INTAKE FILTER FPO 118

Art. No.	Depth in enclosure	Weight (approx.)	Filter mat
11882.0-30	25 mm	0.4 kg	ISO coarse 55 % acc. to ISO 16890 (G3), initial gravimetric arrestance 57 %

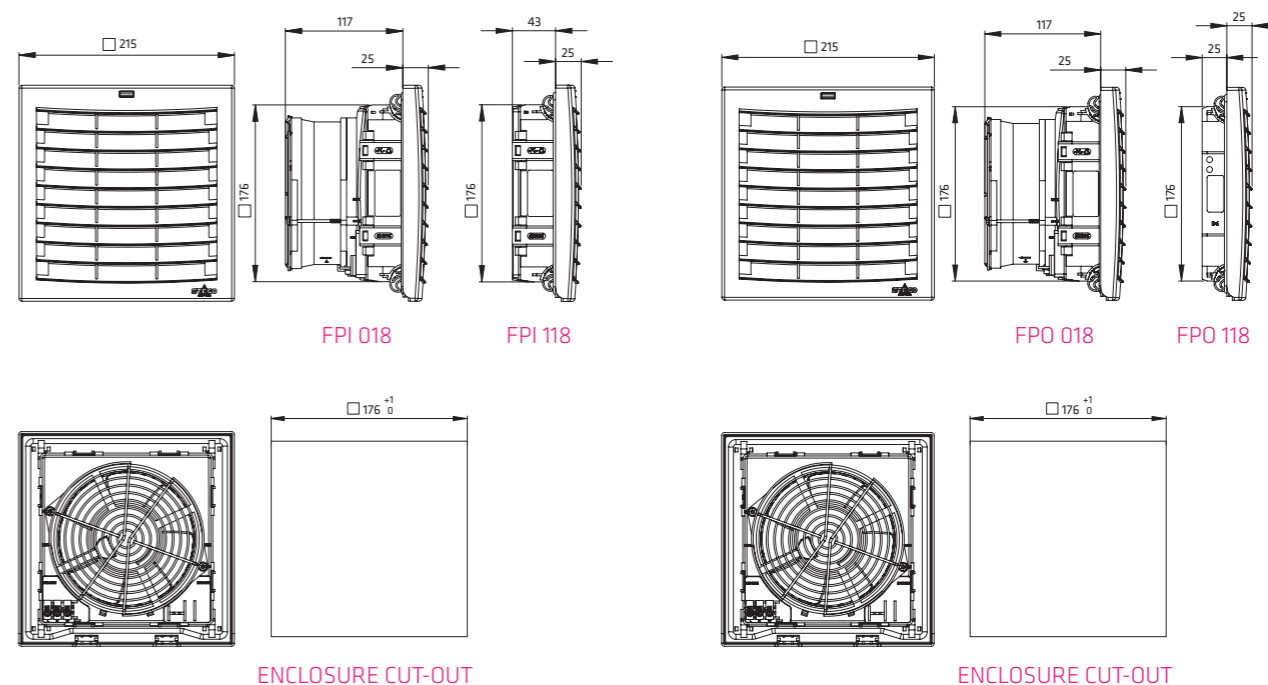
### HOSE-PROOF HOOD FFH 086

Art. No.	Cutout usable for FPI/FPO 018	Dimensions L x B x H	Max. covered area (X x Y)	Weight (approx)
08672.0-00	176 x 176 mm	359 x 294 x 68 mm	235 x 218 mm	2.0 kg

### FILTER MAT FM 086

Filter class	168 x 168 mm	Initial gravimetric arrestance	1 packing unit
ISO coarse 55 % acc. to ISO 16890 (G3)	Art. No. 08635.0-00	57 %	5 pieces

## TECHNICAL DRAWINGS



20.10.2022 | Specifications are subject to change without notice. Errors and omissions excepted. Suitability of this product for its intended use and any associated risks must be determined by the end customer/buyer in its final application. www.stego.de | www.stego.co.uk | www.stegonorden.se

20.10.2022 | Specifications are subject to change without notice. Errors and omissions excepted. Suitability of this product for its intended use and any associated risks must be determined by the end customer/buyer in its final application. www.stego.de | www.stego.co.uk | www.stegonorden.se

# FILTER FAN PLUS

FPI/FPO 018 | up to 581 m<sup>3</sup>/h (223 x 223 mm)



- > New air-flap outlet technology for high airflow
- > Easy mounting
- > Protection type test/Environmental rating by independent testing institutes (VDE and UL)
- > Two systems for optimal airflow (FPI/FPO)
- > Standard enclosure cut-out sizes (5 sizes)
- > One filter mat

Filter fans are used to provide an optimum climate in enclosures and cabinets with electrical/electronic components. The interior temperature of an enclosure can be reduced by channelling cooler filtered outside air into the enclosure thus expelling heated internal air. The resulting airflow prevents formation of localised hot pockets in installations and protects electronic components from overheating. The benefits of our Filter Fan Plus series are described in detail in the catalogue on page 50/51.

The Filter Fan Plus series may also be used outdoors with appropriate protective measures or when equipped with weather proof accessories, e.g. Hose-proof Hood FFH 086.

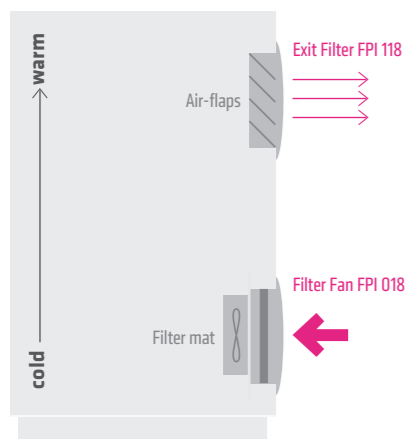


## TECHNICAL DATA

<b>Axial fan, ball bearing</b>	service life L10 at +40 °C (+104 °F): min. 56,000 h rotor metal
<b>Connection</b>	3-pole clamp for 2.5 mm <sup>2</sup> , clamping torque 0.8 Nm max.
<b>Casing, hood, flaps</b>	plastic according to UL94 V-0, light grey; UV light resistant according to UL746C (f1)
<b>Enclosure cut-out</b>	223 x 223 <sup>1</sup> mm
<b>Mounting frame</b>	4 built-in ratchet braces for mounting (6 notches for wall thickness 1 – 4 mm). Additional use of screws possible if needed <sup>1</sup> .
<b>Filter mat</b>	ISO coarse 55 % acc. to ISO 16890 (G3), initial gravimetric arrestance 57 %
<b>Filter material</b>	synthetic fibre with progressive construction, temperature resistant to +100 °C, self-extinguishing class F1, moisture resistant to 100 % RH, reusable
<b>Operating temperature</b>	-25 to +65 °C (-13 to +149 °F)
<b>Storage temperature</b>	-40 to +70 °C (-40 to +158 °F)
<b>Operating/Storage humidity</b>	< 90 % RH (non-condensing)
<b>Protection type/Protection class with Hose-proof Hood FFH 086</b>	IP54 / I (earthed) IP56 / I (earthed)
<b>Environmental rating UL/NEMA with Hose-proof Hood FFH 086</b>	UL TYPE 12 / NEMA 12 UL TYPE 3, 3R, 4, 4X
<b>Approvals</b>	VDE, UL File No. E234324, EAC
<b>Note</b>	other voltages on request

<sup>1</sup> Drilling marks for screw mounting are indicated on mounting frame.

## SYSTEM FPI



### AIRFLOW DIRECTION "IN": FILTER FAN FPI 018

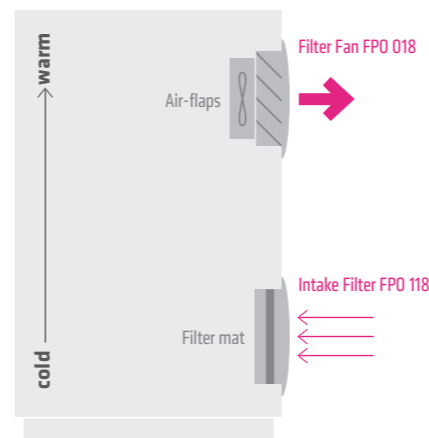
Art. No.	Operating voltage <sup>2</sup>	Air volume, free flow	Air volume with exit filter	Current consumption	Power consumption	Average noise level (DIN EN ISO 4871)	Depth in enclosure	Weight (approx.)	Filter mat
01873.0-30	AC 230 V, 50 Hz	305 m <sup>3</sup> /h	271 m <sup>3</sup> /h	300 mA	64 W	64 db (A)	147 mm	2.4 kg	G3
01873.9-30	AC 115 V, 60 Hz	332 m <sup>3</sup> /h	293 m <sup>3</sup> /h	700 mA	81 W	67 db (A)	147 mm	2.4 kg	G3

<sup>2</sup> Data for alternative operating voltages and frequency in consultation

### AIRFLOW DIRECTION "IN": EXIT FILTER FPI 118

Art. No.	Depth in enclosure	Weight (approx.)	Air outlet
11873.0-00	46 mm	0.6 kg	air-flap outlet technology

## SYSTEM FPO



### AIRFLOW DIRECTION "OUT": FILTER FAN FPO 018

Art. No.	Operating voltage <sup>2</sup>	Air volume, free flow	Air volume with intake filter	Current consumption	Power consumption	Average noise level (DIN EN ISO 4871)	Depth in enclosure	Weight (approx.)	Air outlet
01883.0-00	AC 230 V, 50 Hz	536 m <sup>3</sup> /h	281 m <sup>3</sup> /h	300 mA	64 W	65 db (A)	147 mm	2.4 kg	air-flaps
01883.9-00	AC 115 V, 60 Hz	581 m <sup>3</sup> /h	310 m <sup>3</sup> /h	700 mA	81 W	68 db (A)	147 mm	2.4 kg	air-flaps

<sup>2</sup> Data for alternative operating voltages and frequency in consultation

### AIRFLOW DIRECTION "OUT": INTAKE FILTER FPO 118

Art. No.	Depth in enclosure	Weight (approx.)	Filter mat
11883.0-30	25 mm	0.5 kg	ISO coarse 55 % acc. to ISO 16890 (G3), initial gravimetric arrestance 57 %

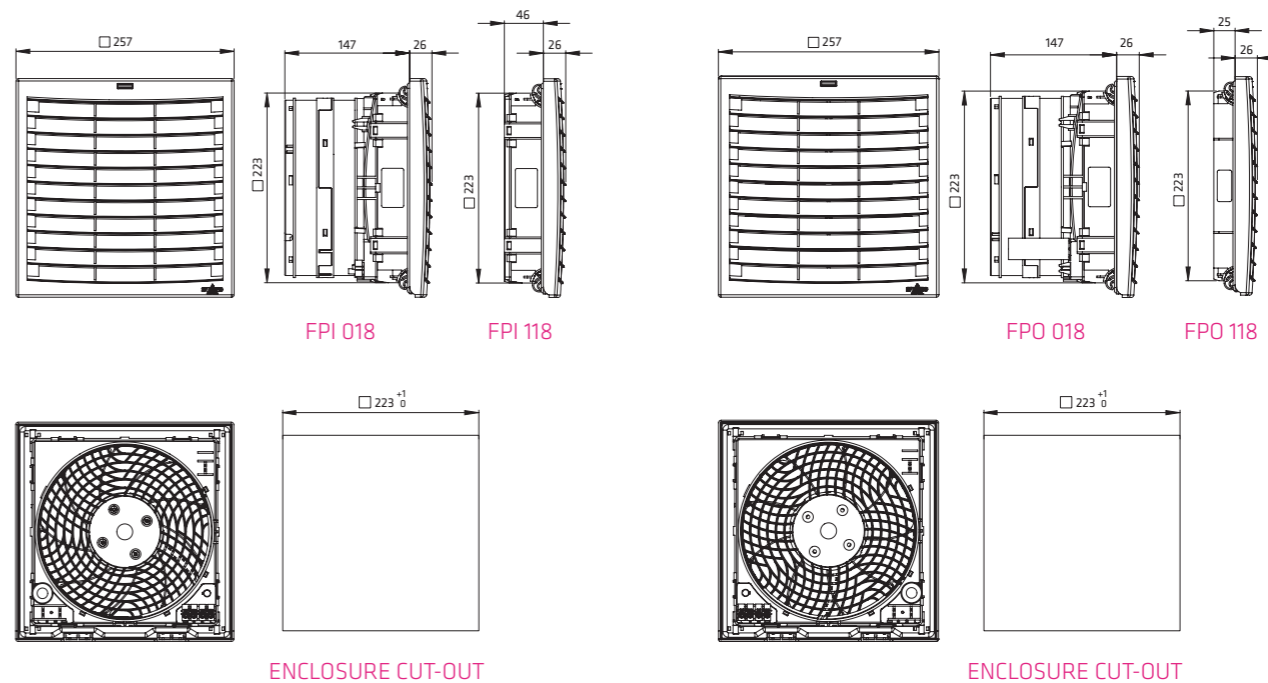
### HOSE-PROOF HOOD FFH 086

Art. No.	Cutout usable for FPI/FPO 018	Dimensions L x B x H	Max. covered area (X x Y)	Weight (approx)
08673.0-00	223 x 223 mm	415 x 369 x 78 mm	290 x 286 mm	2.8 kg

### FILTER MAT FM 086

Filter class	215 x 215 mm	Initial gravimetric arrestance	1 packing unit
ISO coarse 55 % acc. to ISO 16890 (G3)	Art. No. 08636.0-00	57 %	5 pieces

## TECHNICAL DRAWINGS



20.10.2021 | Specifications are subject to change without notice. Errors and omissions excepted. Suitability of this product for its intended use and any associated risks must be determined by the end customer/buyer in its final application. www.stego.de | www.stego.co.uk | www.stegonorden.se

20.10.2021 | Specifications are subject to change without notice. Errors and omissions excepted. Suitability of this product for its intended use and any associated risks must be determined by the end customer/buyer in its final application. www.stego.de | www.stego.co.uk | www.stegonorden.se

## FILTER FAN PLUS

FPI/FPO 018 | up to 1031 m<sup>3</sup>/h (291 x 291 mm)



- > New air-flap outlet technology for high airflow
- > Easy mounting
- > Protection type test/Environmental rating by independent testing institutes (VDE and UL)
- > Two systems for optimal airflow (FPI/FPO)
- > Standard enclosure cut-out sizes (5 sizes)
- > One filter mat
- > Two fan speeds

Filter fans are used to provide an optimum climate in enclosures and cabinets with electrical/electronic components. The interior temperature of an enclosure can be reduced by channelling cooler filtered outside air into the enclosure thus expelling heated internal air. The resulting airflow prevents formation of localised hot pockets in installations and protects electronic components from overheating. The benefits of our Filter Fan Plus series are described in detail in the catalogue on page 50/51.

The Filter Fan Plus series may also be used outdoors with appropriate protective measures or when equipped with weather proof accessories, e.g. Hose-proof Hood FFH 086.

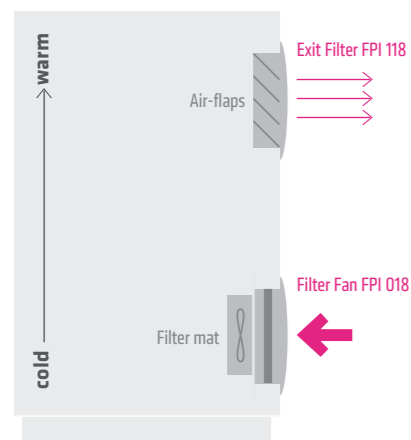


### TECHNICAL DATA

<b>Axial fan, ball bearing</b>	fan speed 1: service life L10 at +40 °C (+104 °F): min. 76,000 h rotor metal fan speed 2: service life L10 at +40 °C (+104 °F): min. 54,000 h rotor plastic
<b>Connection</b>	3-pole clamp for 2.5 mm <sup>2</sup> , clamping torque 0.8 Nm max.
<b>Casing, hood, flaps</b>	plastic according to UL94 V-0, light grey; UV light resistant according to UL746C (f1)
<b>Enclosure cut-out</b>	291 x 291 <sup>1</sup> mm
<b>Mounting frame</b>	4 built-in ratchet braces for mounting (6 notches for wall thickness 1 – 4 mm). Additional use of screws possible if needed <sup>1</sup> .
<b>Filter mat</b>	ISO coarse 55 % acc. to ISO 16890 (G3), initial gravimetric arrestance 57 %
<b>Filter material</b>	synthetic fibre with progressive construction, temperature resistant to +100 °C, self-extinguishing class F1, moisture resistant to 100 % RH, reusable
<b>Operating temperature</b>	fan speed 1 & 2, 50 Hz: -25 to +55 °C (-13 to +131 °F) fan speed 1, 60 Hz: -25 to +35 °C (-13 to +95 °F) fan speed 2, 60 Hz: -25 to +50 °C (-13 to +122 °F)
<b>Storage temperature</b>	-40 to +70 °C (-40 to +158 °F)
<b>Operating/Storage humidity</b>	< 90 % RH (non-condensing)
<b>Protection type/Protection class with Hose-proof Hood FFH 086</b>	IP54 / I (earthed) IP56 / I (earthed)
<b>Environmental rating UL/NEMA with Hose-proof Hood FFH 086</b>	UL TYPE 12 / NEMA 12 UL TYPE 3, 3R, 4, 4X
<b>Approvals</b>	VDE, UL File No. E234324, EAC
<b>Note</b>	other voltages on request

<sup>1</sup> Drilling marks for screw mounting are indicated on mounting frame.

### SYSTEM FPI



### AIRFLOW DIRECTION "IN": FILTER FAN FPI 018

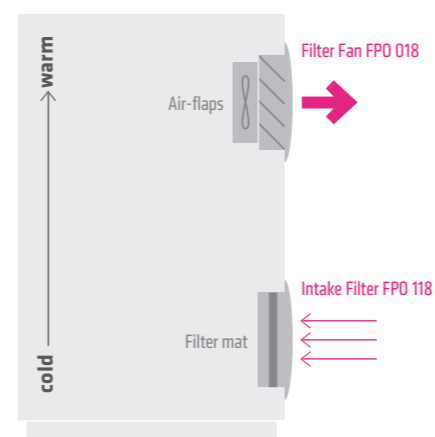
Art. No.	Operating voltage <sup>2</sup>	Fan speed	Air volume, free flow	Air volume with exit filter	Current consumption	Power consumption	Average noise level (DIN EN ISO 4871)	Depth in enclosure	Weight (approx.)	Filter mat
01874.0-30	AC 230 V, 50 Hz	1	433 m <sup>3</sup> /h	373 m <sup>3</sup> /h	400 mA	95 W	62 dB (A)	160 mm	3.1 kg	G3
01874.0-31	AC 230 V, 50 Hz	2	624 m <sup>3</sup> /h	560 m <sup>3</sup> /h	550 mA	140 W	70 dB (A)	160 mm	3.3 kg	G3
01874.9-30	AC 115 V, 60 Hz	1	394 m <sup>3</sup> /h	339 m <sup>3</sup> /h	800 mA	90 W	61 dB (A)	160 mm	3.1 kg	G3
01874.9-31	AC 115 V, 60 Hz	2	665 m <sup>3</sup> /h	593 m <sup>3</sup> /h	1450 mA	165 W	72 dB (A)	160 mm	3.3 kg	G3

<sup>2</sup> Data for alternative operating voltages and frequency in consultation

### AIRFLOW DIRECTION "IN": EXIT FILTER FPI 118

Art. No.	Depth in enclosure	Weight (approx.)	Air outlet
11874.0-00	50 mm	1.0 kg	air-flap outlet technology

### SYSTEM FPO



### AIRFLOW DIRECTION "OUT": FILTER FAN FPO 018

Art. No.	Operating voltage <sup>2</sup>	Fan speed	Air volume, free flow	Air volume with intake filter	Current consumption	Power consumption	Average noise level (DIN EN ISO 4871)	Depth in enclosure	Weight (approx.)	Air outlet
01884.0-00	AC 230 V, 50 Hz	1	727 m <sup>3</sup> /h	413 m <sup>3</sup> /h	400 mA	95 W	63 dB (A)	160 mm	3.2 kg	air-flaps
01884.0-01	AC 230 V, 50 Hz	2	1010 m <sup>3</sup> /h	599 m <sup>3</sup> /h	550 mA	140 W	70 dB (A)	160 mm	3.4 kg	air-flaps
01884.9-00	AC 115 V, 60 Hz	1	703 m <sup>3</sup> /h	391 m <sup>3</sup> /h	800 mA	90 W	62 dB (A)	160 mm	3.2 kg	air-flaps
01884.9-01	AC 115 V, 60 Hz	2	1031 m <sup>3</sup> /h	609 m <sup>3</sup> /h	1450 mA	165 W	71 dB (A)	160 mm	3.4 kg	air-flaps

<sup>2</sup> Data for alternative operating voltages and frequency in consultation

### HOSE-PROOF HOOD FFH 086

Art. No.	Cutout usable for FPI/FPO 018	Dimensions L x B x H	Max. covered area (X x Y)	Weight (approx)
08674.0-00	291 x 291 mm	485 x 409 x 103 mm	340 x 326 mm	3.7 kg

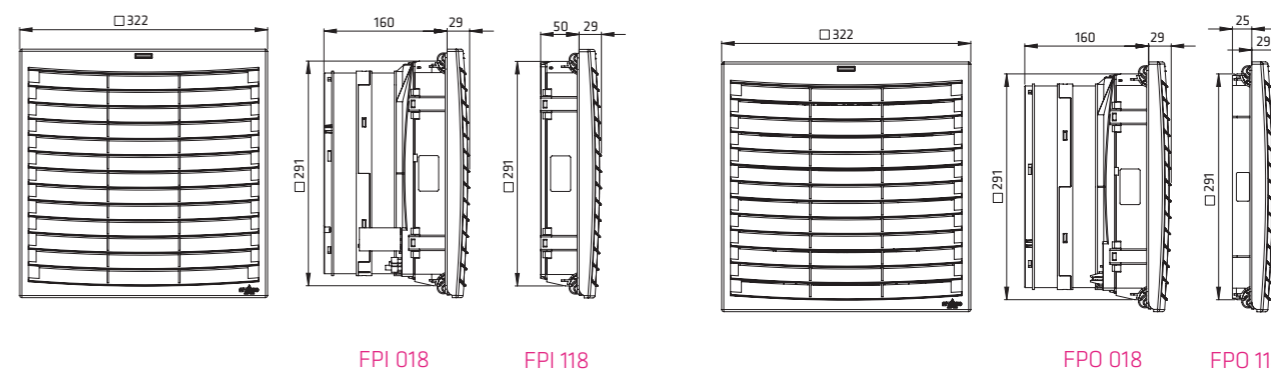
### AIRFLOW DIRECTION "OUT": INTAKE FILTER FPO 118

Art. No.	Depth in enclosure	Weight (approx.)	Filter mat
11884.0-30	25 mm	0.8 kg	ISO coarse 55 % acc. to ISO 16890 (G3), initial gravimetric arrestance 57 %

### FILTER MAT FM 086

Filter class	283 x 283 mm	Initial gravimetric arrestance	1 packing unit
ISO coarse 55 % acc. to ISO 16890 (G3)	Art. No. 08637.0-00	57 %	5 pieces

### TECHNICAL DRAWINGS



# FILTER FAN PLUS – DC LINE

FPI/FPO 018 | up to 33 m³/h (92 x 92 mm)



- > New air-flap outlet technology for high airflow
- > Protection type test/Environmental rating by independent testing institutes (VDE and UL)
- > Easy mounting
- > Two systems for optimal airflow (FPI/FPO)
- > Standard enclosure cut-out sizes
- > One filter mat

Filter fans are used to provide an optimum climate in enclosures and cabinets with electrical/electronic components. The interior temperature of an enclosure can be reduced by channelling cooler filtered outside air into the enclosure thus expelling heated internal air. The resulting airflow prevents formation of localised hot pockets in installations and protects electronic components from overheating. The benefits of our Filter Fan Plus series are described in detail in the catalogue on page 50/51.

The Filter Fan Plus series may also be used outdoors with appropriate protective measures or when equipped with weather proof accessories, e.g. Hose-proof Hood FFH 086.

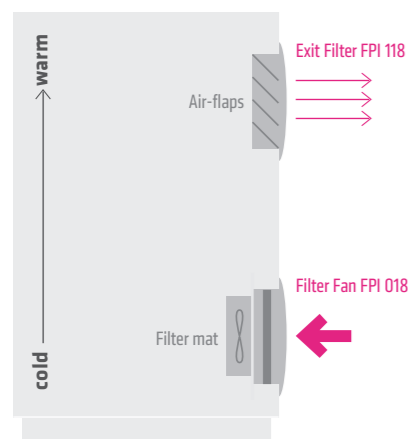


## TECHNICAL DATA

Axial fan, ball bearing	service life L10 at +40 °C (+104 °F): min. 70,000 h plastic
Connection	2 stranded wires, 300 mm
Casing, hood, flaps	plastic according to UL94 V-0, light grey; UV light resistant according to UL746C (f1)
Enclosure cut-out	92 x 92 <sup>1</sup> mm
Mounting frame	4 built-in ratchet braces for mounting (6 notches for wall thickness 1 – 4 mm). Additional use of screws possible if needed <sup>1</sup> .
Filter mat	ISO coarse 55 % acc. to ISO 16890 (G3), initial gravimetric arrestance 57 %
Filter material	synthetic fibre with progressive construction, temperature resistant to +100 °C, self-extinguishing class F1, moisture resistant to 100 % RH, reusable
Operating temperature	-20 to +70 °C (-4 to +158 °F)
Storage temperature	-40 to +70 °C (-40 to +158 °F)
Operating/Storage humidity	< 90 % RH (non-condensing)
Protection type/Protection class with Hose-proof Hood FFH 086	IP54 / II (double insulated) IP56 / II (double insulated)
Environmental rating UL/NEMA with Hose-proof Hood FFH 086	UL TYPE 12 / NEMA 12 UL TYPE 3, 3R, 4, 4X
Approvals	VDE, UL File No. E234324, EAC
Note	other voltages on request

<sup>1</sup> Drilling marks for screw mounting are indicated on mounting frame.

## SYSTEM FPI



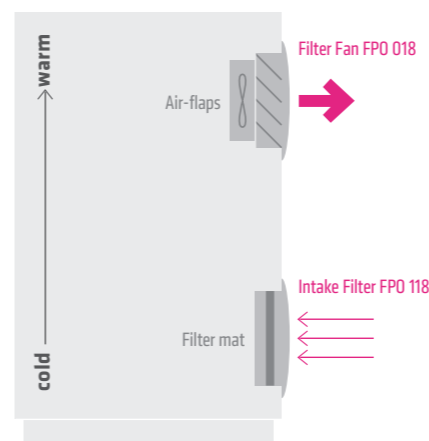
### AIRFLOW DIRECTION "IN": FILTER FAN FPI 018

Art. No.	Operating voltage	Air volume, free flow	Air volume with exit filter	Current consumption	Power consumption	Average noise level (DIN EN ISO 4871)	Depth in enclosure	Weight (approx.)	Filter mat
01870.2-30	DC 24 V	22 m³/h	16 m³/h	113 mA	2.7 W	49 dB (A)	59 mm	0.3 kg	G3
01870.1-30	DC 48 V	23 m³/h	17 m³/h	63 mA	3.0 W	51 dB (A)	59 mm	0.3 kg	G3

### AIRFLOW DIRECTION "IN": EXIT FILTER FPI 118

Art. No.	Depth in enclosure	Weight (approx.)	Air outlet
11870.0-00	29 mm	0.2 kg	air-flap outlet technology

## SYSTEM FPO



### AIRFLOW DIRECTION "OUT": FILTER FAN FPO 018

Art. No.	Operating voltage	Air volume, free flow	Air volume with intake filter	Current consumption	Power consumption	Average noise level (DIN EN ISO 4871)	Depth in enclosure	Weight (approx.)	Air outlet
01880.2-00	DC 24 V	31 m³/h	17 m³/h	113 mA	2.7 W	48 dB (A)	66 mm	0.3 kg	air-flaps
01880.1-00	DC 48 V	33 m³/h	18 m³/h	63 mA	3.0 W	49 dB (A)	66 mm	0.3 kg	air-flaps

### AIRFLOW DIRECTION "OUT": INTAKE FILTER FPO 118

Art. No.	Depth in enclosure	Weight (approx.)	Filter mat
11880.0-30	22 mm	0.2 kg	ISO coarse 55 % acc. to ISO 16890 (G3), initial gravimetric arrestance 57 %

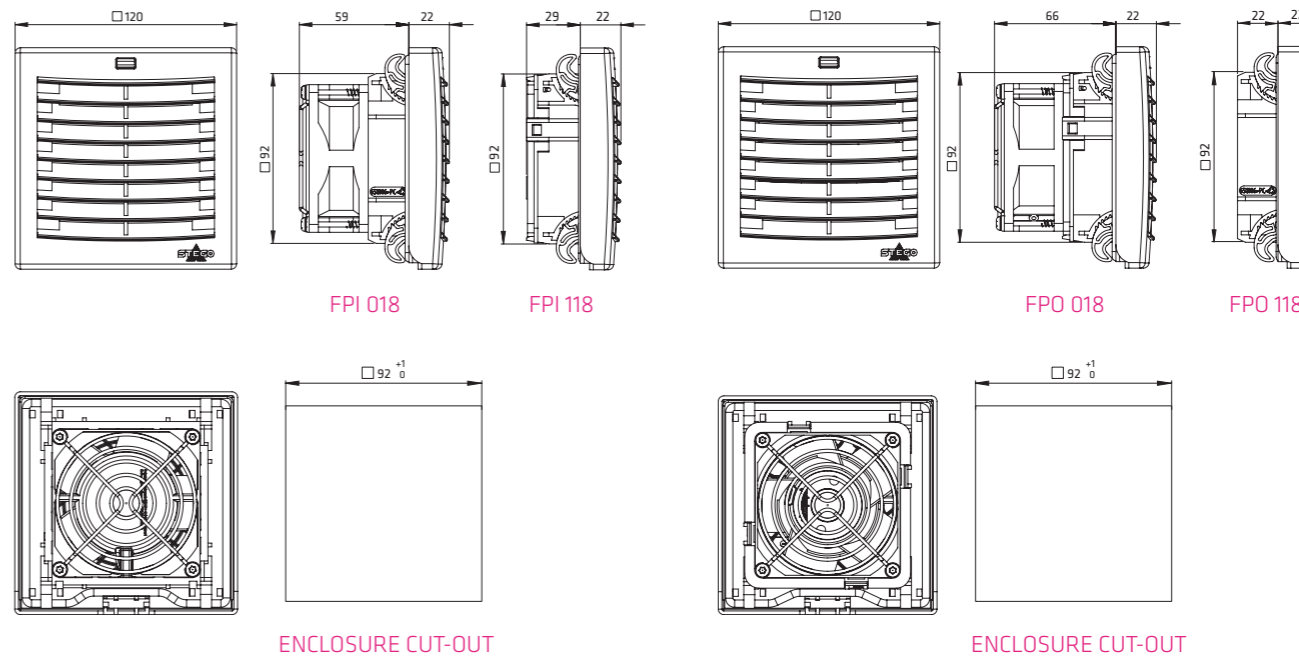
### HOSE-PROOF HOOD FFH 086

Art. No.	Cutout usable for FPI/FPO 018	Dimensions L x B x H	Max. covered area (X x Y)	Weight (approx)
08670.0-00	92 x 92 mm	214 x 195 x 48 mm	143 x 130 mm	0.8 kg

### FILTER MAT FM 086

Filter class	84 x 84 mm	Initial gravimetric arrestance	1 packing unit
ISO coarse 55 % acc. to ISO 16890 (G3)	Art. No. 08633.0-00	57 %	5 pieces

## TECHNICAL DRAWINGS



20.10.2021 | Specifications are subject to change without notice. Errors and omissions excepted. Suitability of this product for its intended use and any associated risks must be determined by the end customer/buyer in its final application. www.stego.de | www.stego.co.uk | www.stegonorden.se

20.10.2021 | Specifications are subject to change without notice. Errors and omissions excepted. Suitability of this product for its intended use and any associated risks must be determined by the end customer/buyer in its final application. www.stego.de | www.stego.co.uk | www.stegonorden.se



# FILTER FAN PLUS – DC LINE

FPI/FPO 018 | up to 125 m<sup>3</sup>/h (124 x 124 mm)



- > New air-flap outlet technology for high airflow
- > Protection type test/Environmental rating by independent testing institutes (VDE and UL)
- > Easy mounting
- > Two systems for optimal airflow (FPI/FPO)
- > Standard enclosure cut-out sizes
- > One filter mat

Filter fans are used to provide an optimum climate in enclosures and cabinets with electrical/electronic components. The interior temperature of an enclosure can be reduced by channelling cooler filtered outside air into the enclosure thus expelling heated internal air. The resulting airflow prevents formation of localised hot pockets in installations and protects electronic components from overheating. The benefits of our Filter Fan Plus series are described in detail in the catalogue on page 50/51.

The Filter Fan Plus series may also be used outdoors with appropriate protective measures or when equipped with weather proof accessories, e.g. Hose-proof Hood FFH 086.

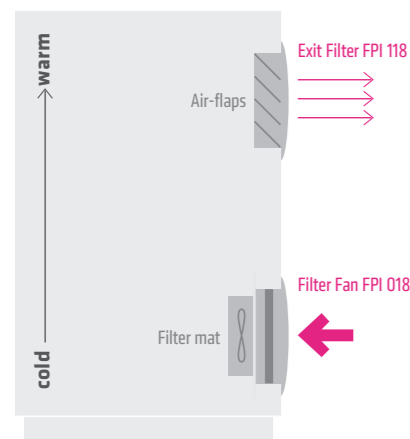


## TECHNICAL DATA

<b>Axial fan, ball bearing</b>	service life L10 at +40 °C (+104 °F): min. 65,000 h plastic
<b>Connection</b>	2 stranded wires, 300 mm
<b>Casing, hood, flaps</b>	plastic according to UL94 V-0, light grey; UV light resistant according to UL746C (f1)
<b>Enclosure cut-out</b>	124 x 124 <sup>1</sup> mm
<b>Mounting frame</b>	4 built-in ratchet braces for mounting (6 notches for wall thickness 1 – 4 mm). Additional use of screws possible if needed <sup>1</sup> .
<b>Filter mat</b>	ISO coarse 55 % acc. to ISO 16890 (G3), initial gravimetric arrestance 57 %
<b>Filter material</b>	synthetic fibre with progressive construction, temperature resistant to +100 °C, self-extinguishing class F1, moisture resistant to 100 % RH, reusable
<b>Operating temperature</b>	-20 to +70 °C (-4 to +158 °F)
<b>Storage temperature</b>	-40 to +70 °C (-40 to +158 °F)
<b>Operating/Storage humidity</b>	< 90 % RH (non-condensing)
<b>Protection type/Protection class with Hose-proof Hood FFH 086</b>	IP54 / II (double insulated) IP56 / II (double insulated)
<b>Environmental rating UL/NEMA with Hose-proof Hood FFH 086</b>	UL TYPE 12 / NEMA 12 UL TYPE 3, 3R, 4, 4X
<b>Approvals</b>	VDE, UL File No. E234324, EAC
<b>Note</b>	other voltages on request

<sup>1</sup> Drilling marks for screw mounting are indicated on mounting frame.

## SYSTEM FPI



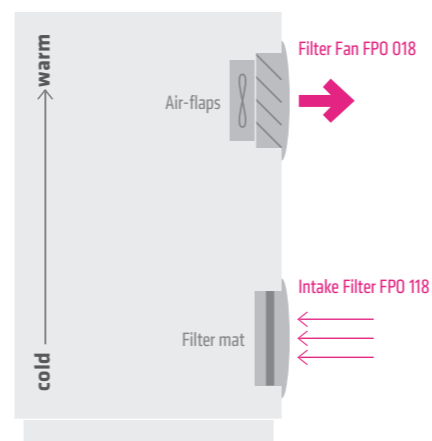
### AIRFLOW DIRECTION "IN": FILTER FAN FPI 018

Art. No.	Operating voltage	Air volume, free flow	Air volume with exit filter	Current consumption	Power consumption	Average noise level (DIN EN ISO 4871)	Depth in enclosure	Weight (approx.)	Filter mat
01871.2-30	DC 24 V	66 m <sup>3</sup> /h	56 m <sup>3</sup> /h	171 mA	4.1 W	58 dB (A)	66 mm	0.5 kg	G3
01871.1-30	DC 48 V	67 m <sup>3</sup> /h	56 m <sup>3</sup> /h	88 mA	4.2 W	52 dB (A)	66 mm	0.5 kg	G3

### AIRFLOW DIRECTION "IN": EXIT FILTER FPI 118

Art. No.	Depth in enclosure	Weight (approx.)	Air outlet
11871.0-00	35 mm	0.3 kg	air-flap outlet technology

## SYSTEM FPO



### AIRFLOW DIRECTION "OUT": FILTER FAN FPO 018

Art. No.	Operating voltage	Air volume, free flow	Air volume with intake filter	Current consumption	Power consumption	Average noise level (DIN EN ISO 4871)	Depth in enclosure	Weight (approx.)	Air outlet
01881.2-00	DC 24 V	118 m <sup>3</sup> /h	63 m <sup>3</sup> /h	171 mA	4.1 W	56 dB (A)	79 mm	0.5 kg	air-flaps
01881.1-00	DC 48 V	125 m <sup>3</sup> /h	63 m <sup>3</sup> /h	88 mA	4.2 W	50 dB (A)	79 mm	0.5 kg	air-flaps

### AIRFLOW DIRECTION "OUT": INTAKE FILTER FPO 118

Art. No.	Depth in enclosure	Weight (approx.)	Filter mat
11881.0-30	22 mm	0.2 kg	ISO coarse 55 % acc. to ISO 16890 (G3), initial gravimetric arrestance 57 %

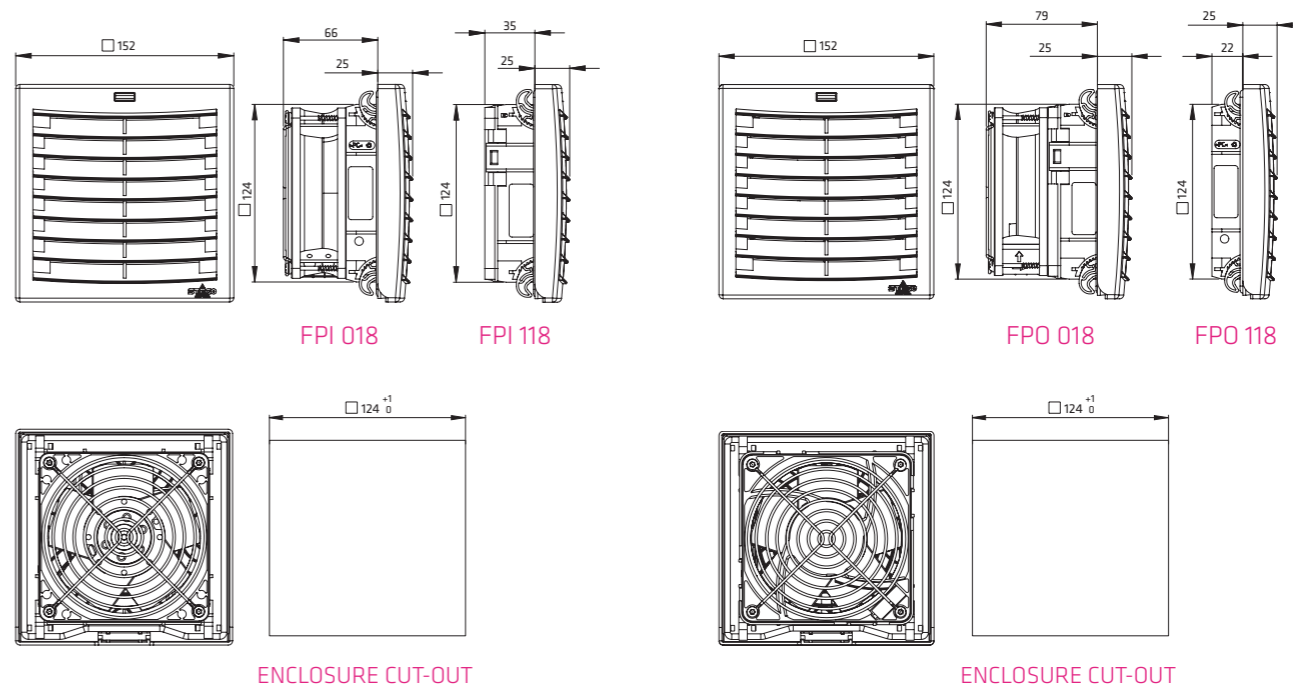
### HOSE-PROOF HOOD FFH 086

Art. No.	Cutout usable for FPI/FPO 018	Dimensions L x B x H	Max. covered area (X x Y)	Weight (approx)
08671.0-00	124 x 124 mm	279 x 225 x 58 mm	173 x 160 mm	1.2 kg

### FILTER MAT FM 086

Filter class	118 x 118 mm	Initial gravimetric arrestance	1 packing unit
ISO coarse 55 % acc. to ISO 16890 (G3)	Art. No. 08634.0-00	57 %	5 pieces

## TECHNICAL DRAWINGS



20.10.2021 | Specifications are subject to change without notice. Errors and omissions excepted. Suitability of this product for its intended use and any associated risks must be determined by the end customer/buyer in its final application. www.stego.de | www.stego.co.uk | www.stegonorden.se

20.10.2021 | Specifications are subject to change without notice. Errors and omissions excepted. Suitability of this product for its intended use and any associated risks must be determined by the end customer/buyer in its final application. www.stego.de | www.stego.co.uk | www.stegonorden.se

# FILTER FAN PLUS – DC LINE

FPI/FPO 018 | up to 277 m³/h (176 x 176 mm)



- > New air-flap outlet technology for high airflow
- > Protection type test/Environmental rating by independent testing institutes (VDE and UL)
- > Easy mounting
- > Two systems for optimal airflow (FPI/FPO)
- > Standard enclosure cut-out sizes
- > One filter mat

Filter fans are used to provide an optimum climate in enclosures and cabinets with electrical/electronic components. The interior temperature of an enclosure can be reduced by channelling cooler filtered outside air into the enclosure thus expelling heated internal air. The resulting airflow prevents formation of localised hot pockets in installations and protects electronic components from overheating. The benefits of our Filter Fan Plus series are described in detail in the catalogue on page 50/51.

The Filter Fan Plus series may also be used outdoors with appropriate protective measures or when equipped with weather proof accessories, e.g. Hose-proof Hood FFH 086.

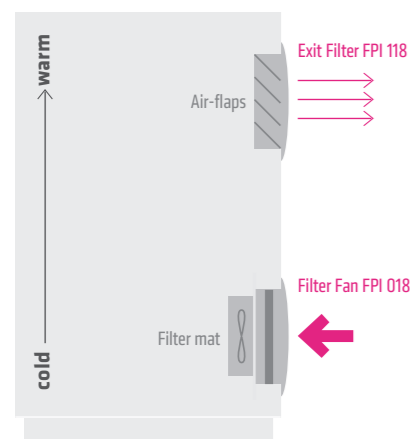


## TECHNICAL DATA

<b>Axial fan, ball bearing</b>	service life L10 at +40 °C (+104 °F): min. 80,000 h fan body aluminium, rotor plastic
<b>Connection</b>	3-pole clamp for 2.5 mm², clamping torque 0.8 Nm max.
<b>Casing, hood, flaps</b>	plastic according to UL94 V-0, light grey; UV light resistant according to UL746C (f1)
<b>Enclosure cut-out</b>	176 x 176 <sup>1</sup> mm
<b>Mounting frame</b>	4 built-in ratchet braces for mounting (6 notches for wall thickness 1 – 4 mm). Additional use of screws possible if needed <sup>1</sup> .
<b>Filter mat</b>	ISO coarse 55 % acc. to ISO 16890 (G3), initial gravimetric arrestance 57 %
<b>Filter material</b>	synthetic fibre with progressive construction, temperature resistant to +100 °C, self-extinguishing class F1, moisture resistant to 100 % RH, reusable
<b>Operating temperature</b>	-25 to +70 °C (-13 to +158 °F)
<b>Storage temperature</b>	-40 to +70 °C (-40 to +158 °F)
<b>Operating/Storage humidity</b>	< 90 % RH (non-condensing)
<b>Protection type/Protection class with Hose-proof Hood FFH 086</b>	IP54 / I (earthed) IP56 / I (earthed)
<b>Environmental rating UL/NEMA with Hose-proof Hood FFH 086</b>	UL TYPE 12 / NEMA 12 L TYPE 3, 3R, 4, 4X
<b>Approvals</b>	VDE, UL File No. E234324, EAC
<b>Note</b>	other voltages on request

<sup>1</sup> Drilling marks for screw mounting are indicated on mounting frame.

## SYSTEM FPI



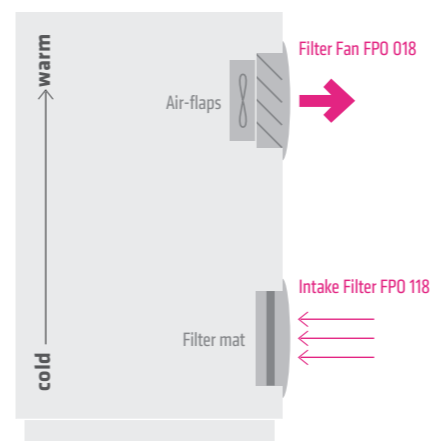
### AIRFLOW DIRECTION "IN": FILTER FAN FPI 018

Art. No.	Operating voltage	Air volume, free flow	Air volume with exit filter	Current consumption	Power consumption	Average noise level (DIN EN ISO 4871)	Depth in enclosure	Weight (approx.)	Filter mat
01872.2-30	DC 24 V	178 m³/h	156 m³/h	500 mA	12.0 W	63 dB (A)	117 mm	1.5 kg	G3
01872.1-30	DC 48 V	170 m³/h	147 m³/h	250 mA	12.0 W	63 dB (A)	117 mm	1.5 kg	G3

### AIRFLOW DIRECTION "IN": EXIT FILTER FPI 118

Art. No.	Depth in enclosure	Weight (approx.)	Air outlet
11872.0-00	43 mm	0.4 kg	air-flap outlet technology

## SYSTEM FPO



### AIRFLOW DIRECTION "OUT": FILTER FAN FPO 018

Art. No.	Operating voltage	Air volume, free flow	Air volume with intake filter	Current consumption	Power consumption	Average noise level (DIN EN ISO 4871)	Depth in enclosure	Weight (approx.)	Air outlet
01882.2-00	DC 24 V	269 m³/h	141 m³/h	500 mA	12.0 W	63 dB (A)	117 mm	1.5 kg	air-flaps
01882.1-00	DC 48 V	277 m³/h	146 m³/h	250 mA	12.0 W	63 dB (A)	117 mm	1.5 kg	air-flaps

### AIRFLOW DIRECTION "OUT": INTAKE FILTER FPO 118

Art. No.	Depth in enclosure	Weight (approx.)	Filter mat
11882.0-30	25 mm	0.4 kg	ISO coarse 55 % acc. to ISO 16890 (G3), initial gravimetric arrestance 57 %

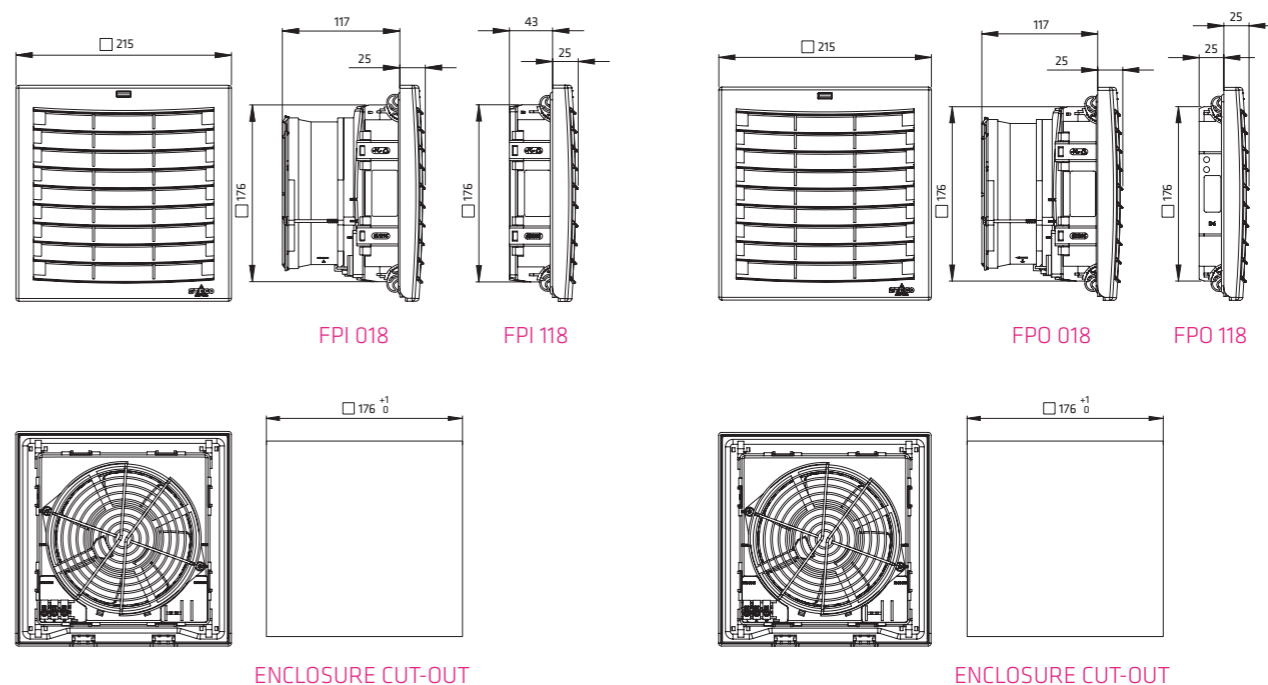
### HOSE-PROOF HOOD FFH 086

Art. No.	Cutout usable for FPI/FPO 018	Dimensions L x B x H	Max. covered area (X x Y)	Weight (approx.)
08672.0-00	176 x 176 mm	359 x 294 x 68 mm	235 x 218 mm	2.0 kg

### FILTER MAT FM 086

Filter class	168 x 168 mm	Initial gravimetric arrestance	1 packing unit
ISO coarse 55 % acc. to ISO 16890 (G3)	Art. No. 08635.0-00	57 %	5 pieces

## TECHNICAL DRAWINGS



20.10.2022 | Specifications are subject to change without notice. Errors and omissions excepted. Suitability of this product for its intended use and any associated risks must be determined by the end customer/buyer in its final application. www.stego.de | www.stego.co.uk | www.stegonorden.se

20.10.2022 | Specifications are subject to change without notice. Errors and omissions excepted. Suitability of this product for its intended use and any associated risks must be determined by the end customer/buyer in its final application. www.stego.de | www.stego.co.uk | www.stegonorden.se

## HOSE-PROOF HOOD

FFH 086 | IP56



- > Increase of protection class
- > Easy to clean
- > Filter mat change from outside
- > Impact-resistant, robust
- > Safe against unauthorized removal
- > Weather resistant
- > Versatile
- > Protective grid

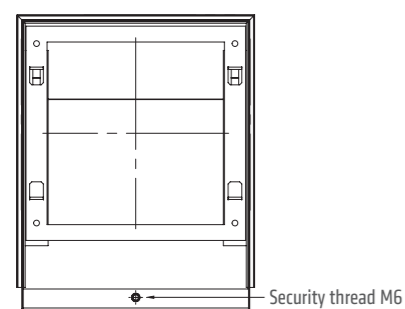
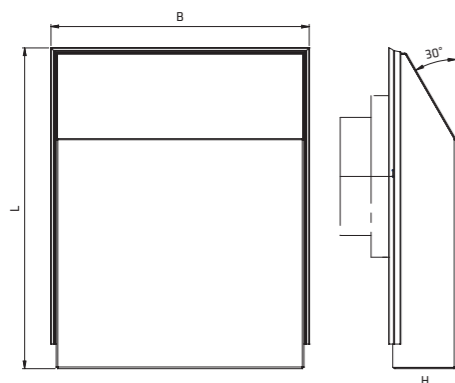
The hose-proof hood for increasing the protection class is a protective cover for filter fans, intake and exit filters, e.g. for the series FPI 018, FPO 018 and FF 018. It is used for protection against water projected by a hose and extreme climatic influences if located outdoors or in industrial applications with harsh environmental conditions. In order to clean the filter fans or to change the filter mat, the hood can easily be removed, the cabinet does not need to be opened (safety risk).



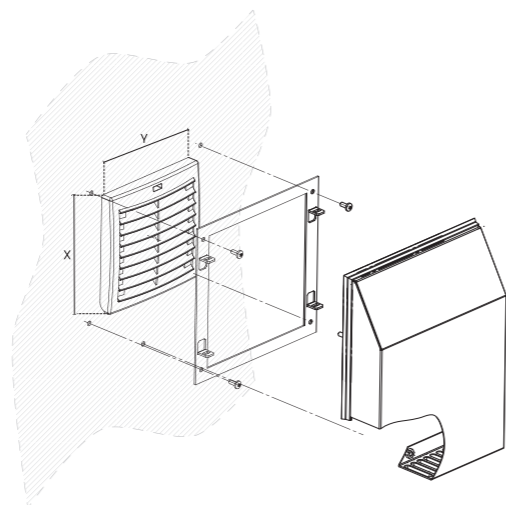
### TECHNICAL DATA

Material hood	VA, polished
Material sealing	Silicone, food safe
Protection type	IP56 <sup>1</sup>
Protection type UL/NEMA	UL Type 4/4x <sup>1</sup> / Nema Type 4/4x <sup>1</sup>
Approval	UL File No. E234324, EAC

<sup>1</sup> When used with STEGO filter fans FPI/FPO 018 and FF 018 and when seal is tightly fitted.



Back view



Art. No.	Cutout usable for FF 018	Cutout usable for FPI/FPO 018	Dimensions L x B x H	Max. covered area (X x Y)	Weight (approx.)
08670.0-00	97 x 97 mm	92 x 92 mm	214 x 195 x 48 mm	143 x 130 mm	0.8 kg
08671.0-00	125 x 125 mm	124 x 124 mm	279 x 225 x 58 mm	173 x 160 mm	1.2 kg
08672.0-00	176 x 176 mm	176 x 176 mm	359 x 294 x 68 mm	235 x 218 mm	2.0 kg
08673.0-00	250 x 250 mm	223 x 223 mm	415 x 369 x 78 mm	290 x 286 mm	2.8 kg
08674.0-00	-	291 x 291 mm	485 x 409 x 103 mm	340 x 326 mm	3.7 kg

## ROOF FILTER FAN

RFP 018 | 345 m<sup>3</sup>/h, 575 m<sup>3</sup>/h

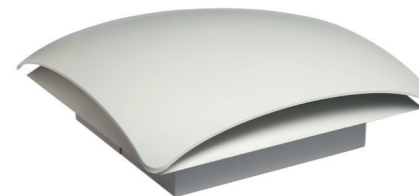


Photo: Art. No. 01860.0-00

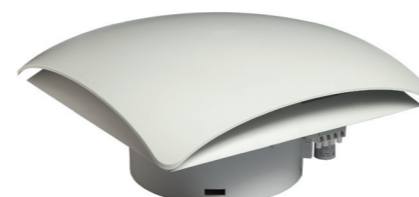


Photo: Art. No. 01861.0-00

- > Very low noise
- > Minimal depth in enclosure
- > High through-flow air volume
- > High reliability
- > Time-saving installation and mat exchange

Roof filter fans find use in enclosures and housings, from which warm air has to be diverted to lower the internal temperature. These low-noise roof filter fans are used to expel warm air from within the enclosure which has been generated by the stray power of the components and so protects the internal devices from overheating. To exchange the filter mat the hood can be easily opened without tools. The roof exit filter provides passive ventilation.

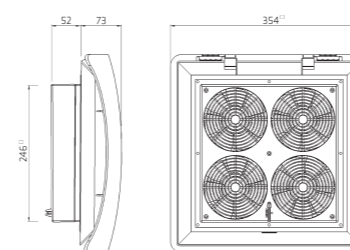


### TECHNICAL DATA

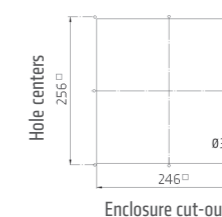
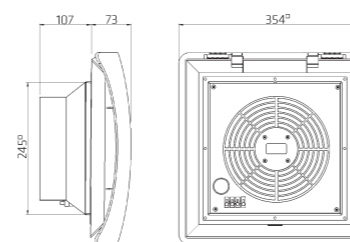
Axial fans, ball bearing	service life 50,000 h at +25 °C (+77 °F), 65 % RH fan body aluminium, rotor plastic
Connection	3-pole clamp for 2.5 mm <sup>2</sup> , clamping torque 0.8 Nm max.
Casing	plastic according to UL94 V-0, light grey; weather proof and UV light resistant according UL746C (f1)
Filter mat	ISO coarse 55 % acc. to ISO 16890 (G3), initial gravimetric arrestance 57 %
Filter material	synthetic fibre with progressive construction, temperature resistant to +100 °C, self-extinguishing class F1, moisture resistant to 100 % RH, reusable – cleaning by washing or vacuuming
Operating/Storage humidity	< 90 % RH (non-condensing)
Protection type/Protection class	IP32 / I (earthed)
Approvals	EAC, VDE (AC 230 V only)

**Important note:** For reasons of pressure compensation the roof filter fan must always be operated in combination with a passive intake filter (e.g. Art. No. 11803.0-00) or another filter fan (e.g. Art. No. 01803.0-00).

Roof Filter Fan (01860.0-XX)



Roof Filter Fan (01861.0-XX)



Enclosure cut-out

### ROOF FILTER FAN RFP 018

Art. No.	Operating voltage	Air volume, free flow	Power consumption	Average noise level (DIN EN ISO 4871)	Depth in enclosure	Enclosure cut-out	Weight (approx.)	Operating / Storage temperature
01860.0-00	AC 230 V, 50 Hz	300 m <sup>3</sup> /h	68 W	55 dB (A)	52 mm	246 x 246 mm + 0.4	3.3 kg	-10 to +70 °C (+14 to +158 °F) / -40 to +70 °C (-40 to +158 °F)
01861.0-00	AC 230 V, 50 Hz	500 m <sup>3</sup> /h	64 W	67 dB (A)	107 mm	246 x 246 mm + 0.4	2.6 kg	-25 to +70 °C (-13 to +158 °F)
01860.0-02	AC 120 V, 60 Hz	345 m <sup>3</sup> /h	60 W	55 dB (A)	52 mm	246 x 246 mm + 0.4	3.3 kg	-10 to +70 °C (+14 to +158 °F) / -40 to +70 °C (-40 to +158 °F)
01861.0-02	AC 120 V, 60 Hz	575 m <sup>3</sup> /h	85 W	67 dB (A)	107 mm	246 x 246 mm + 0.4	2.6 kg	-25 to +70 °C (-13 to +158 °F)

### ROOF EXIT FILTER REP 118

Art. No.	Depth in enclosure	Enclosure cut-out	Weight (approx.)	Filter mat	Protection type
11860.0-00	11 mm	246 x 246 mm + 0.4	1.0 kg	ISO coarse 55 % acc. to ISO 16890 (G3), initial gravimetric arrestance 57 %	IP32

### FILTER MAT FM 086

Filter mat	Weight (approx.)
G3 (1 packing unit = 3 pcs.)	282 x 282 mm Art. No. 08613.0-01

## FAN TRAY

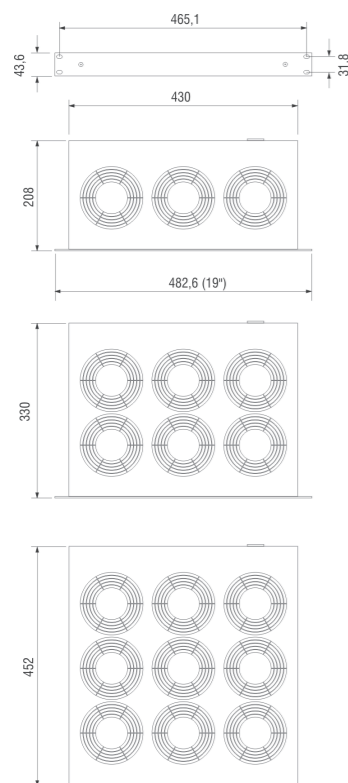
## LE 019



- > High air output
- > Long service life
- > Ball bearing fans

- > Ready for connection
- > Optical function indicator

Compact high performance fan tray for enforced circulation of air in switch and server enclosures and for concerted cooling of 19" component groups. Natural convection is improved and the formation of localised hot pockets is avoided. Also available with integrated thermostat (see photo).



## TECHNICAL DATA

<b>Axial fans, ball bearing</b>	service life 50,000 h at +25 °C (+77 °F), 65 % RH
<b>Material</b>	front panel aluminium, bright anodised casing steel sheet, electrogalvanized
<b>Optical indicator</b>	integrated in front panel
<b>Connection</b>	appliance power inlet on rear of casing, plug included
<b>Fitting position</b>	vertical airflow (air outlet up)
<b>Operating/Storage temperature</b>	-10 to +60 °C (+14 to +140 °F) / -40 to +70 °C (-40 to +158 °F)
<b>Operating/Storage humidity</b>	< 90 % RH (non-condensing)
<b>Protection type/Protection class</b>	IP20 / I (earthed)

**Use in 19" enclosures:** We recommend using the fan tray without integrated thermostat in combination with our dual thermostat (ZR 011 Art. No. 01176.0-00) for regulating temperature in electronic enclosures and for protection against over-heating due to possible fan failure. The dual thermostat regulates the operation of the fan tray and – when connected to a signal device – also triggers an early warning if the enclosure interior temperature rises above a set limit. When using a fan tray with integrated thermostat, the use of an additional thermostat (KTS 111 Art. No. 11101.0-00) provides the extra safety of activating a signal device.

Art. No.	Thermostat	No. of fans	Operating voltage	Air volume, free flow	Power consumption	Average noise level (DIN EN ISO 4871)	Speed (rpm)	Weight (approx.)	Approvals
01930.0-00	without	3	AC 230 V, 50 Hz	486 m <sup>3</sup> /h	45 W	55 db (A)	2,600 rpm (50 Hz)	3.0 kg	UL File No. E234324 EAC
01930.1-00	0 to +60 °C	3	AC 230 V, 50 Hz	486 m <sup>3</sup> /h	45 W	55 db (A)	2,600 rpm (50 Hz)	3.4 kg	UL File No. E234324 EAC
01940.0-00	without	6	AC 230 V, 50 Hz	972 m <sup>3</sup> /h	90 W	57 db (A)	2,600 rpm (50 Hz)	5.3 kg	UL File No. E234324 EAC
01940.1-00	0 to +60 °C	6	AC 230 V, 50 Hz	972 m <sup>3</sup> /h	90 W	57 db (A)	2,600 rpm (50 Hz)	5.7 kg	UL File No. E234324 EAC
01950.0-00	without	9	AC 230 V, 50 Hz	1,458 m <sup>3</sup> /h	135 W	58 db (A)	2,600 rpm (50 Hz)	7.8 kg	UL File No. E234324 EAC
01950.1-00	0 to +60 °C	9	AC 230 V, 50 Hz	1,458 m <sup>3</sup> /h	135 W	58 db (A)	2,600 rpm (50 Hz)	7.9 kg	- EAC
01931.0-00	without	3	AC 120 V, 60 Hz	576 m <sup>3</sup> /h	45 W	55 db (A)	2,900 rpm (60 Hz)	3.0 kg	UL File No. E234324 EAC
01931.1-00	0 to +60 °C	3	AC 120 V, 60 Hz	576 m <sup>3</sup> /h	45 W	55 db (A)	2,900 rpm (60 Hz)	3.4 kg	UL File No. E234324 EAC
01941.0-00	without	6	AC 120 V, 60 Hz	1,152 m <sup>3</sup> /h	90 W	57 db (A)	2,900 rpm (60 Hz)	5.3 kg	UL File No. E234324 EAC
01941.1-00	0 to +60 °C	6	AC 120 V, 60 Hz	1,152 m <sup>3</sup> /h	90 W	57 db (A)	2,900 rpm (60 Hz)	5.7 kg	- EAC
01951.0-00	without	9	AC 120 V, 60 Hz	1,728 m <sup>3</sup> /h	135 W	58 db (A)	2,900 rpm (60 Hz)	7.8 kg	UL File No. E234324 EAC
01951.1-00	0 to +60 °C	9	AC 120 V, 60 Hz	1,728 m <sup>3</sup> /h	135 W	58 db (A)	2,900 rpm (60 Hz)	7.9 kg	- EAC



## REGULATING

## CONSTANT REGULATING

STEGO's temperature and humidity control systems perfect operating conditions for electric and electronic installations and therefore safeguard their performance.

# THERMOSTAT SWITCH

## KTO 111 / KTS 111



- > Safe wiring with Push-In connection terminal
- > Faster and tool-free wiring
- > Improved air intakes for ventilation
- > Easy adjustability of switch temperature setting
- > for use in up to 5,000 m altitude

The mechanical thermostats KTO 111 and KTS 111 are two state regulators for use up to 5,000 meters in altitude, thanks to optimised air gap and increased creepage distance. By use of Push-In terminals the thermostat is wired tool-free. The Push-In terminals provide constant pressure on the wires to prevent them from coming loose (e.g. during transport).

**KTO 111:** Thermostat (NC); contact breaker for regulating heaters. The contact opens when temperature is rising.

**KTS 111:** Thermostat (NO); contact maker for regulating of filter fans and heat exchangers or for switching signal devices when temperature limit has been exceeded. The contact closes when temperature is rising.

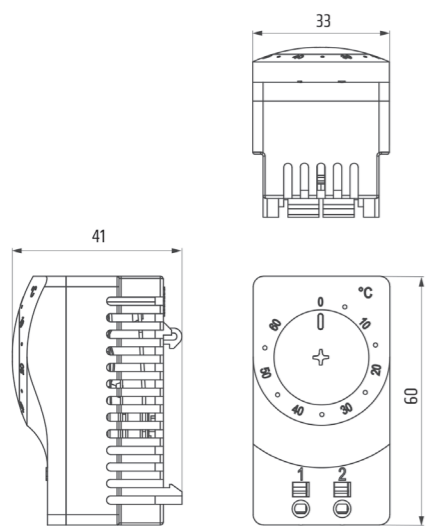
### TECHNICAL DATA



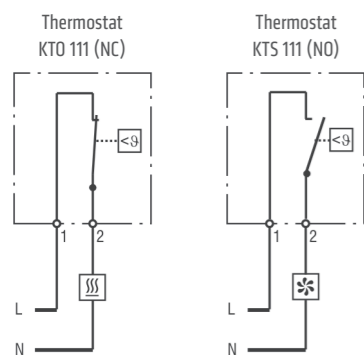
Switch temperature difference	7 K (±4 K tolerance)
Sensor element	thermostatic bimetal
Contact type	snap-action contact
Service life	100,000 cycles verified
Max. operating voltage, frequency range	AC 250 V, 50-60 Hz
Max. inrush current	AC 16 A for 10 s
Connection <sup>1</sup>	2 Push-In clamps rigid wire 2.5 mm <sup>2</sup> (AWG 14) stranded wire 1.5 mm <sup>2</sup> (AWG 16)
Mounting	clip for 35 mm DIN rail, EN 60715
Casing	plastic according to UL94 V-0, light grey
Dimensions	60 x 33 x 41 mm
Weight	~ 40 g
Fitting position	variable
Operating/Storage temperature	-45 to +80 °C (-49 to +176 °F)
Operating/Storage humidity	< 90 % RH (non-condensing)
Protection type/Protection class	IP20 / II
Overvoltage category/Altitude	II: up to 5,000 m; III: up to 2,000 m

<sup>1</sup> Stripped length of rigid wire: 10 to 12 mm. When connecting with wires, wire end ferrules must be used (square or trapezoid crimp). Length of wire end ferrule: 10 mm or 12 mm.

**Important note:** The contact system of the regulator is subjected to environmental influences, thus the contact resistance may change. This can lead to a voltage drop and/or self-heating of the contacts.

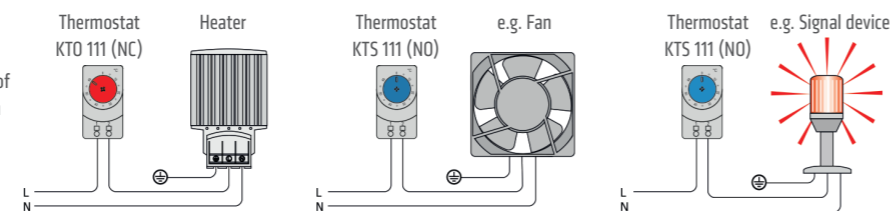


Connection diagrams



Heater  
 Filter fan, Cooling equipment, Signal device

Examples of connection



Setting range	Art. No. Contact breaker (NC)	Art. No. Contact maker (NO)	Switching current <sup>2</sup> /capacity max			Approvals		
			AC 250 V	AC 120 V	DC 24-72 V			
0 to +60 °C	11100.0-00	11101.0-00	10 (2) A	15 (2) A	30 W	VDE	UL File No. E164102	EAC
-10 to +50 °C	11100.0-01	11101.0-01	10 (2) A	15 (2) A	30 W	VDE	UL File No. E164102	EAC
+20 to +80 °C	11100.0-02	11101.0-02	3 (2) A	3 (2) A	30 W	VDE	UL File No. E164102	EAC
+32 to +140 °F	11100.9-00	11101.9-00	10 (2) A	15 (2) A	30 W	VDE	UL File No. E164102	EAC
+14 to +122 °F	11100.9-01	11101.9-01	10 (2) A	15 (2) A	30 W	VDE	UL File No. E164102	EAC

<sup>2</sup> The level of switching current has an influence on the tolerance accuracy;

www.stego.de | www.stego.co.uk | www.stegonorden.se

# THERMOSTAT SWITCH

## STO 011 / STS 011



- > Thumbwheel setting dial
- > Small hysteresis
- > High switching capacity
- > Anti frost assurance
- > Optimized housing for better air flow

The mechanical thermostat is a two state regulator with small hysteresis. The setting wheel has an anti frost assurance. The housing ensures an optimized air circulation around the bimetal.

**STO 011:** Thermostat (NC); contact breaker for regulating heaters. The contact opens when temperature is rising.

**STS 011:** Thermostat (NO); contact maker for regulating of filter fans and heat exchangers or for switching signal devices when temperature limit has been exceeded. The contact closes when temperature is rising.

### TECHNICAL DATA

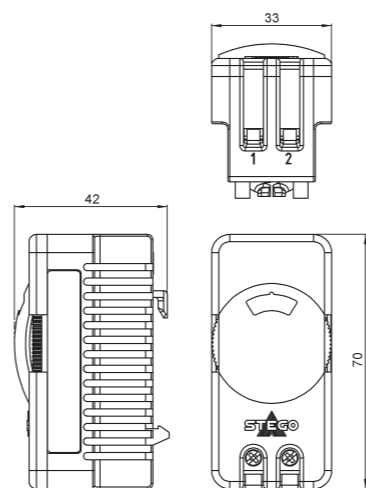


Switch temperature difference	4 K (±3 K tolerance)
Sensor element	thermostatic bimetal
Contact type	snap-action contact
Service life	> 100,000 cycles
Max. switching capacity	AC 250 V, 10 (2) A <sup>1</sup> / AC 120 V, 15 (2) A <sup>1</sup> DC 30 W at DC 24 V to DC 72 V
Max. inrush current	AC 16 A for 10 s
Connection	2-pole terminal, clamping torque 1 Nm max.: rigid/stranded <sup>2</sup> wire 2.5 mm <sup>2</sup> (AWG 14)
Mounting	clip for 35 mm DIN rail, EN 60715
Casing	plastic according to UL94V-0, light grey
Dimensions	70 x 33 x 42 mm
Weight	~ 50 g
Fitting position	variable
Operating/Storage temperature	-45 to +80 °C (-49 to +176 °F)
Operating/Storage humidity	< 90 % RH (non-condensing)
Protection type	IP20
Approvals	VDE, UL File No. E164102, EAC

<sup>1</sup> Switching of resistive load (switching of inductive load)

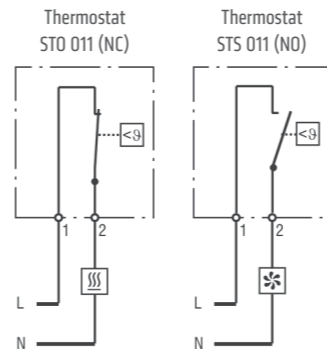
<sup>2</sup> When connecting with stranded wires, wire end ferrules must be used.

**Important note:** The contact system of the regulator is subjected to environmental influences, thus the contact resistance may change. This can lead to a voltage drop and/or self-heating of the contacts.

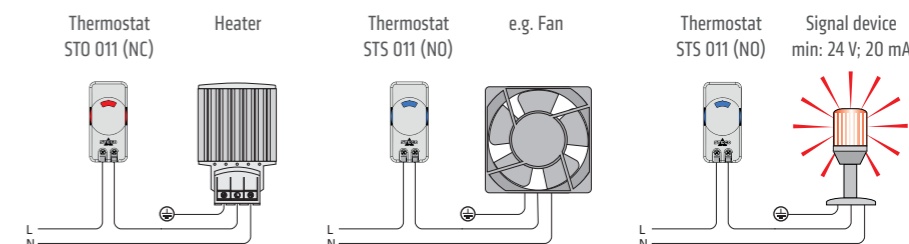


The anti frost assurance is a symbol on the setting scale of the NC thermostat (STO 011) at +11 °C. This setting assures closing of the switching contact before 0 °C.

Connection diagrams



Heater  
 Filter fan, Cooling equipment, Signal device



Examples of connection

Setting range	Art. No. Contact breaker (NC)	Art. No. Contact maker (NO)
0 to +60 °C	01115.0-00	01116.0-00
+32 to +140 °F	01115.9-00	01116.9-00

www.stego.de | www.stego.co.uk | www.stegonorden.se

## TAMPER-PROOF THERMOSTAT (PRE-SET)

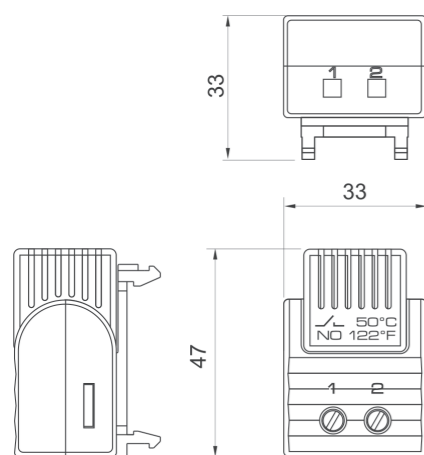
### FTO 011 / FTS 011



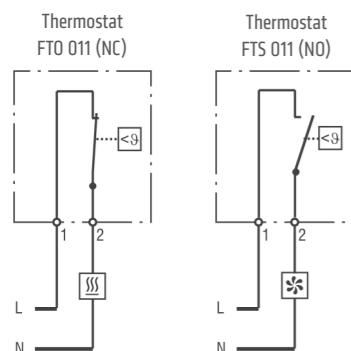
- > Small size
- > Easy to install
- > Default temperature settings
- > High switching accuracy

**Tamper-proof (Pre-set) Thermostat FTO 011:** Contact breaker/NC (red casing) for regulating heaters or for switching signal devices when temperature has fallen below the minimum value. The contact opens when temperature is rising.

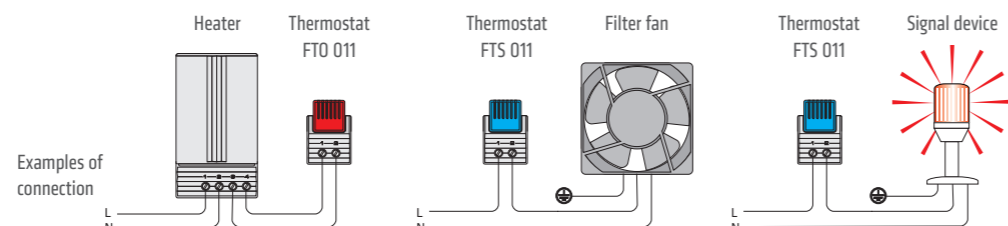
**Tamper-proof (Pre-set) Thermostat FTS 011:** Contact maker/NO (blue casing) for regulating filter fans, heat exchangers, cooling devices or for switching signal devices when temperature limit has been exceeded. The contact closes when temperature is rising.



Connection diagrams



Heater  
 Filter fan, Cooling equipment, Signal device



Art. No.	Contact	Switch-off temperature	Switch-on temperature
01160.0-00	Contact breaker (NC)	+15 °C / +59 °F (±5 K tolerance)	+5 °C / +41 °F (±5 K tolerance)
01160.0-01	Contact breaker (NC)	+25 °C / +77 °F (±5 K tolerance)	+15 °C / +59 °F (±5 K tolerance)
01160.0-05	Contact breaker (NC)	+10 °C / +50 °F (±5 K tolerance)	0 °C / +32 °F (±5 K tolerance)
Art. No.	Contact	Switch-on temperature	Switch-off temperature
01161.0-00	Contact maker (NO)	+50 °C / +122 °F (±7 K tolerance)	+40 °C / +104 °F (±6 K tolerance)
01161.0-01	Contact maker (NO)	+60 °C / +140 °F (±7 K tolerance)	+50 °C / +122 °F (±7 K tolerance)
01161.0-02	Contact maker (NO)	+35 °C / +95 °F (±7 K tolerance)	+25 °C / +77 °F (±6 K tolerance)

Note: Other switch-off and switch-on temperatures on request.



#### TECHNICAL DATA

Sensor element	thermostatic bimetal
Contact type	snap-action contact
Service life	> 100,000 cycles
Max. switching capacity	AC 250 V, 5 (1.6) A <sup>1</sup> / AC 120 V, 10 (2) A <sup>1</sup> DC 30 W
Max. inrush current	AC 16 A for 10 s
Connection	2-pole terminal, clamping torque 0.8 Nm max.: rigid/stranded <sup>2</sup> wire 2.5 mm <sup>2</sup> (AWG 14)
Mounting	clip for 35 mm DIN rail, EN 60715
Casing	plastic according to UL94 V-0, light grey
Dimensions	47 x 33 x 33 mm
Weight	~ 30 g
Fitting position	variable
Operating/Storage temperature	-40 to +80 °C (-40 to +176 °F) / -45 to +80 °C (-49 to +176 °F)
Operating/Storage humidity	< 90 % RH (non-condensing)
Protection type	IP20
Approvals	VDE, UL File No. E164102, EAC

- <sup>1</sup> Switching of resistive load (switching of inductive load)  
<sup>2</sup> When connecting with stranded wires, wire end ferrules must be used.

## DUAL THERMOSTAT

### ZR 011



- > NO and NC in one casing
- > Separate adjustable temperatures
- > High switching capacity
- > Terminals easily accessible
- > Clip fixing

Two thermostats in one casing:

**Thermostat (contact breaker, normally closed)** for regulating heaters. The contact opens when temperature is rising.

**Thermostat (contact maker, normally open)** for regulating filter fans and heat exchangers or switching signal devices when temperature limit has been exceeded. The contact closes when temperature is rising.

Heaters and cooling equipment can be switched independently from each other with a temperature offset as opposed to the usual change-over contacts.

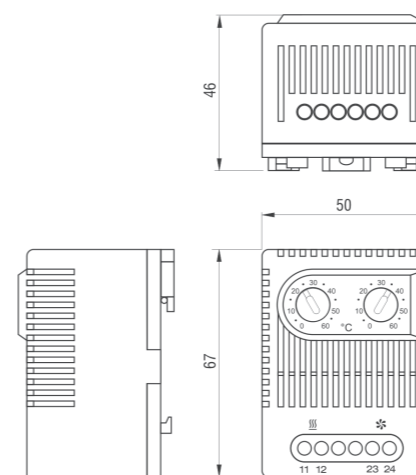


#### TECHNICAL DATA

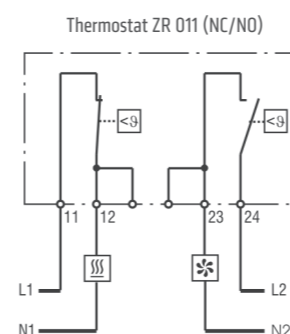
Switch temperature difference	7 K (±4 K tolerance)
Sensor element	thermostatic bimetal
Contact type	snap-action contact
Service life	> 100,000 cycles
Max. switching capacity	AC 250 V, 10 (2) A <sup>1</sup> AC 120 V, 15 (2) A <sup>1</sup> DC 30 W at DC 24 V to DC 72 V
Max. inrush current	AC 16 A for 10 s
Connection	4-pole terminal, clamping torque 0.5 Nm max.: rigid wire 2.5 mm <sup>2</sup> (AWG 14) stranded wire <sup>2</sup> 1.5 mm <sup>2</sup> (AWG 16)
Mounting	clip for 35 mm DIN rail, EN 60715
Casing	plastic according to UL94 V-0, light grey
Dimensions	67 x 50 x 46 mm
Weight	~ 90 g
Fitting position	variable
Operating/Storage temperature	-45 to +80 °C (-49 to +176 °F)
Operating/Storage humidity	< 90 % RH (non-condensing)
Protection type	IP20
Approvals	VDE, UL File No. E164102, CSA, EAC, CQC

- <sup>1</sup> Switching of resistive load (switching of inductive load)  
<sup>2</sup> When connecting with wires, wire end ferrules must be used.

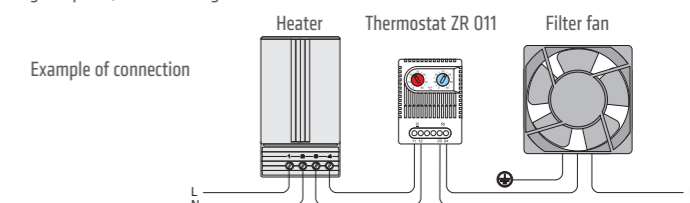
**Important note:** The contact system of the regulator is subjected to environmental influences, thus the contact resistance may change. This can lead to a voltage drop and/or self-heating of the contacts.



Connection diagram



Heater  
 Filter fan, Cooling equipment, Signal device



Art. No.	Setting range	Setting range
01172.0-00	Contact breaker (NC)	Contact maker (NO)
01172.0-01	Contact breaker (NC)	Contact maker (NO)
01175.0-00	Contact breaker (NC)	Contact maker (NO)
01175.0-01	Contact breaker (NC)	Contact maker (NO)
01176.0-00 <sup>2</sup>	Contact maker (NO)	Contact maker (NO)
01176.0-01 <sup>2</sup>	Contact maker (NO)	Contact maker (NO)

<sup>2</sup> For regulating heat exchangers and fans (e. g. LE 019) and as an alarm contact for monitoring the interior temperature of electronic enclosures.

## TAMPER-PROOF DUAL THERMOSTAT (PRE-SET)

### FTD 011



- > NO and NC in one casing
- > High switching accuracy
- > Default temperature settings
- > Clip fixing

Two thermostats in one casing:

**Tamper-proof (Pre-set) Thermostat/Contact breaker (NC)** for regulating heaters or for switching signal devices when temperature has fallen below the minimum value. The contact opens when temperature is rising.

**Tamper-proof (Pre-set) Thermostat/Contact maker (NO)** for regulating filter fans, heat exchangers or for switching signal devices when temperature limit has been exceeded. The contact closes when temperature is rising.

Heaters and cooling equipment can be switched independently from each other with a temperature offset as opposed to the usual change-over contacts.

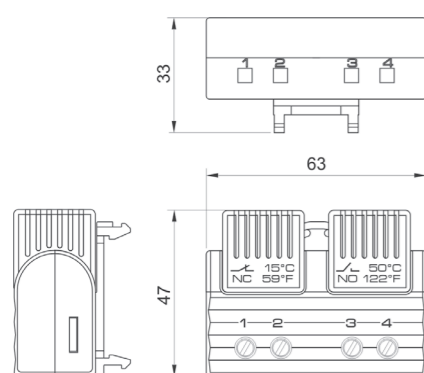


#### TECHNICAL DATA

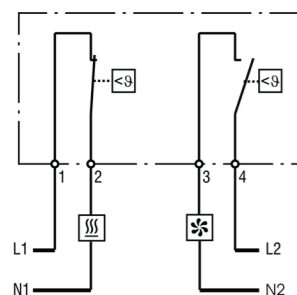
Sensor element	thermostatic bimetal
Contact type	snap-action contact
Service life	> 100,000 cycles
Max. switching capacity	AC 250 V, 5 (1.6) A <sup>1</sup> / AC 120 V, 10 (2) A <sup>1</sup> DC 30 W
Max. inrush current	AC 16 A for 10 s
Connection	4-pole terminal, clamping torque 0.8 Nm max.: rigid wire 2.5 mm <sup>2</sup> (AWG 14) stranded wire <sup>2</sup> 1.5 mm <sup>2</sup> (AWG 16)
Mounting	clip for 35 mm DIN rail, EN 60715
Casing	plastic according to UL94 V-0, light grey
Dimensions	47 x 63 x 33 mm
Weight	~ 40 g
Fitting position	variable
Operating/Storage temperature	-40 to +80 °C (-40 to +176 °F) / -45 to +80 °C (-49 to +176 °F)
Operating/Storage humidity	< 90 % RH (non-condensing)
Protection type	IP20
Approvals	VDE, UL File No. E164102, EAC

<sup>1</sup> Switching of resistive load (switching of inductive load)

<sup>2</sup> When connecting with stranded wires, wire end ferrules must be used.



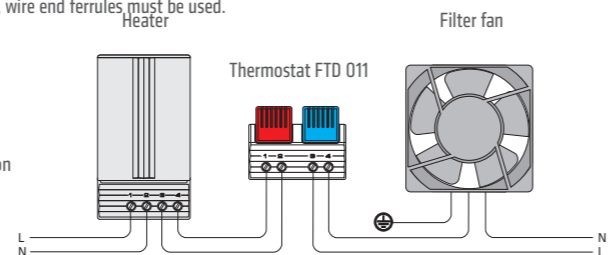
Thermostat FTD 011 (NC/NO)



Connection diagram

- Heater
- Filter fan, Cooling equipment, Signal device

Example of connection



Art. No.	Contact breaker (NC)		Contact maker (NO)	
	Switch-off temperature	Switch-on temperature	Switch-on temperature	Switch-off temperature
01163.0-00	+15 °C / +59 °F (±5 K tolerance)	+5 °C / +41 °F (±5 K tolerance)	+50 °C / +122 °F (±7 K tolerance)	+40 °C / +104 °F (±6 K tolerance)
01163.0-01	+25 °C / +77 °F (±5 K tolerance)	+15 °C / +59 °F (±5 K tolerance)	+60 °C / +140 °F (±7 K tolerance)	+50 °C / +122 °F (±7 K tolerance)
01163.0-02	+15 °C / +59 °F (±5 K tolerance)	+5 °C / +41 °F (±5 K tolerance)	+35 °C / +95 °F (±7 K tolerance)	+25 °C / +77 °F (±6 K tolerance)
01163.0-03	+25 °C / +77 °F (±5 K tolerance)	+15 °C / +59 °F (±5 K tolerance)	+50 °C / +122 °F (±7 K tolerance)	+40 °C / +104 °F (±6 K tolerance)

Art. No.	Contact maker (NO)		Contact maker (NO)	
	Switch-on temperature	Switch-off temperature	Switch-on temperature	Switch-off temperature
01164.0-00	+50 °C / +122 °F (±7 K tolerance)	+40 °C / +104 °F (±6 K tolerance)	+60 °C / +140 °F (±7 K tolerance)	+50 °C / +122 °F (±7 K tolerance)

Note: Other switch-off and switch-on temperatures on request.

## MECHANICAL THERMOSTAT

### FZK 011



- > Adjustable temperature
- > High switching capacity
- > Small hysteresis
- > Change-over contact
- > Clip fixing

The mechanical thermostat is used for controlling heating and cooling equipment, filter fans or signal devices. The thermostat registers the surrounding air and can switch both inductive and resistive loads via snap-action contact. Functionality: The temperature setting on the scale equals to the upper switch point, which means that the NC contact opens. The temperature setting minus switch temperature difference (and tolerances) equals to the lower switch point, which means that the NC contact closes.



#### TECHNICAL DATA

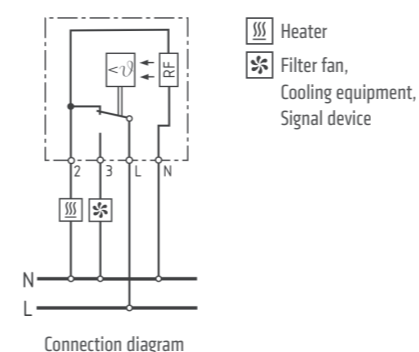
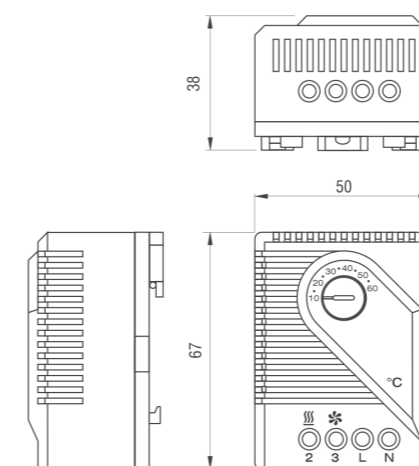
Switch temperature difference	5 K (-3/+2 K tolerance) <sup>1</sup>
Sensor element	thermostatic bimetal
Contact type	change-over snap-action contact
Service life	> 100,000 cycles
Min. switching capacity	10 mA
Max. switching capacity, NC	AC 250 V / AC 120 V, 10 (4) A <sup>2</sup> DC 30 W
Max. switching capacity, NO	AC 250 V / AC 120 V, 5 (2) A <sup>2</sup> DC 30 W
Max. inrush current	AC 16 A for 10 s
Connection	4-pole terminal, clamping torque 0.5 Nm max.: rigid/stranded <sup>3</sup> wire 2.5 mm <sup>2</sup> (AWG 14)
Mounting	clip for 35 mm DIN rail, EN 60715
Casing	plastic according to UL94 V-0, light grey
Dimensions	67 x 50 x 38 mm
Weight	~ 0.1 kg
Fitting position	variable
Operating/Storage temperature	-45 to +65 °C (-49 to +149 °F)
Operating/Storage humidity	< 90 % RH (non-condensing)
Protection type	IP20
Approvals	UL File No. E164104, EAC

<sup>1</sup> If the Normally Closed contact is used, the switch temperature difference could be reduced by connecting terminal "N" (RF heating resistor). It causes the thermal feedback which is subject to surrounding conditions and thus has to be determined for each individual application.

<sup>2</sup> Switching of resistive load (switching of inductive load)

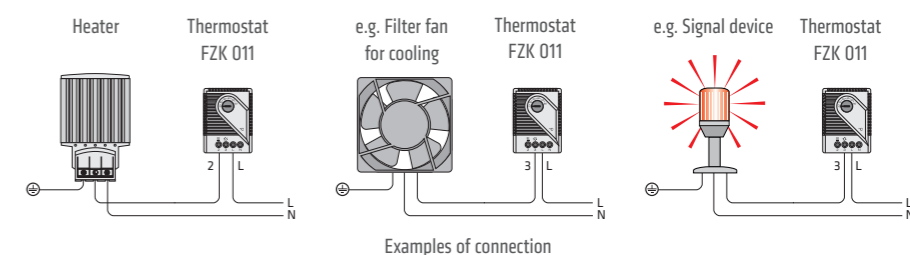
<sup>3</sup> When connecting with wires, wire end ferrules must be used.

**Important note:** The contact system of the regulator is subjected to environmental influences, thus the contact resistance may change. This can lead to a voltage drop and/or self-heating of the contacts.



Connection diagram

Art. No.	Operating voltage	Setting range
01170.0-00	AC 230 V	+5 to +60 °C
01170.0-01	AC 230 V	+40 to +140 °F
01170.0-02	AC 230 V	-20 to +35 °C
01170.9-00	AC 120 V	+40 to +140 °F
01170.9-01	AC 120 V	+5 to +60 °C



Examples of connection

## ELECTRONIC THERMOSTAT

## ETR 011



- > Large setting range
- > Small hysteresis
- > Status indicator (LED)

- > Change-over contact
- > Clip fixing

The electronic thermostat is used for controlling heating and cooling equipment, filter fans or signal devices. The thermostat registers the surrounding air and can switch both inductive and resistive loads via relay with change-over contact. The LED integrated in the adjustment knob is lit when the NC is closed. (e.g. when a connected heater is operating).

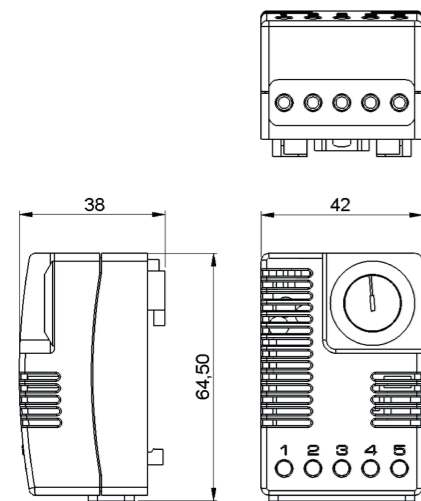


## TECHNICAL DATA

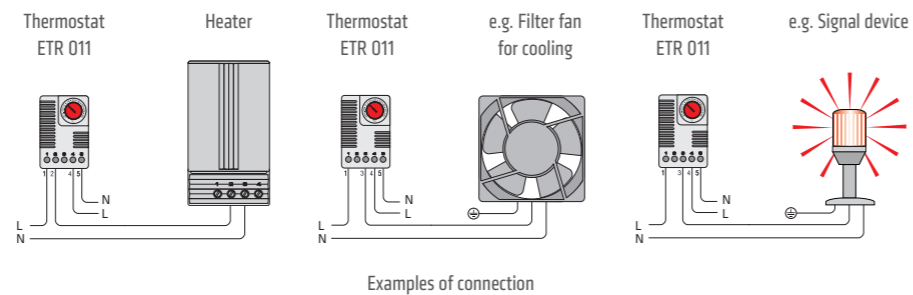
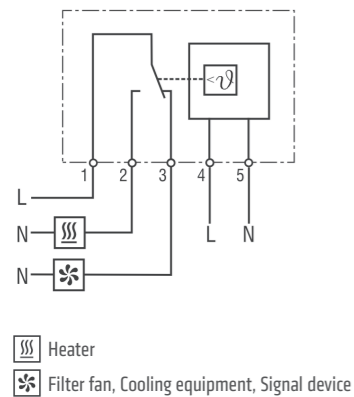
Switch temperature difference	4 K ( $\pm 1$ K tolerance) at +20 °C (+68 °F)
Sensor element	NTC
Reaction time	~ 5 s
Contact type	change-over contact (relay)
Service life	> 50,000 cycles
Max. switching capacity (relay output)	AC 240 V / AC 120 V, 8 (1.6) A <sup>1</sup> DC 100 W at DC 24 V
Max. inrush current	AC 16 A for 10 s
Optical indicator	LED
Connection	5-pole terminal, clamping torque 0.5 Nm max.: rigid/stranded <sup>2</sup> wire 2.5 mm <sup>2</sup> (AWG 14)
Mounting	clip for 35 mm DIN rail, EN 60715
Casing	plastic according to UL 94V-0, light grey
Dimensions	64.5 x 42 x 38 mm
Weight	~ 70 g
Fitting position	vertical
Operating/Storage temperature	-40 to +85 °C (-40 to +185 °F)
Operating/Storage humidity	< 90 % RH (non-condensing)
Protection type	IP20

<sup>1</sup> Switching of resistive load (switching of inductive load)

<sup>2</sup> When connecting with stranded wires, wire end ferrules must be used.



Connection diagram



Examples of connection

Art. No.	Operating voltage	Setting range	Approvals		
01131.0-00	AC 230 V, 50/60 Hz	-20 to +60 °C	VDE	UL File No. E164102	EAC
01131.9-00	AC 120 V, 50/60 Hz	-4 to +140 °F	-	UL File No. E164102	EAC

## MECHANICAL HYGROSTAT

## MFR 012



- > Adjustable relative humidity
- > Change-over contact
- > High switching capacity

- > Easily accessible terminals
- > Clip fixing

The electromechanical hygrostat is designed to control enclosure heaters so that the dew point is raised when a critical relative humidity of 65 % is exceeded. In this way condensation and corrosion in enclosures with electric/electronic components is effectively prevented.

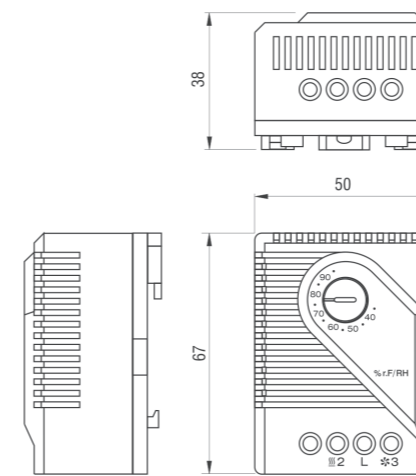


## TECHNICAL DATA

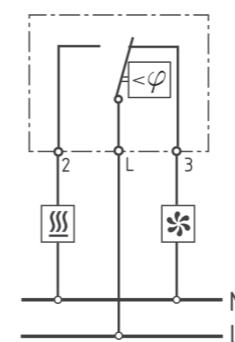
Switch difference <sup>1</sup>	4 % RH ( $\pm 3$ % tolerance)
Permissible air velocity	15 m/s
Contact type	change-over contact
Service life	> 50,000 cycles
Min. switching capacity	AC 20 V / DC 100 mA
Max. switching capacity	AC 250 V, 5 A DC 20 W
Connection	3-pole terminal for 2.5 mm <sup>2</sup> , clamping torque 0.5 Nm max.: rigid wire 2.5 mm <sup>2</sup> (AWG 14) stranded wire <sup>2</sup> 1.5 mm <sup>2</sup> (AWG 16)
Mounting	clip for 35 mm DIN rail, EN 60715
Casing	plastic according to UL94 V-0, light grey
Dimensions	67 x 50 x 38 mm
Weight	~ 60 g
Fitting position	variable
Operating/Storage temperature	0 to +60 °C (+32 to +140 °F) / -40 to +60 °C (-40 to +140 °F)
Operating/Storage humidity	< 95 % RH (non-condensing)
Protection type	IP20
Approvals	UL File No. E164102, EAC, CQC

<sup>1</sup> at 50 % RH

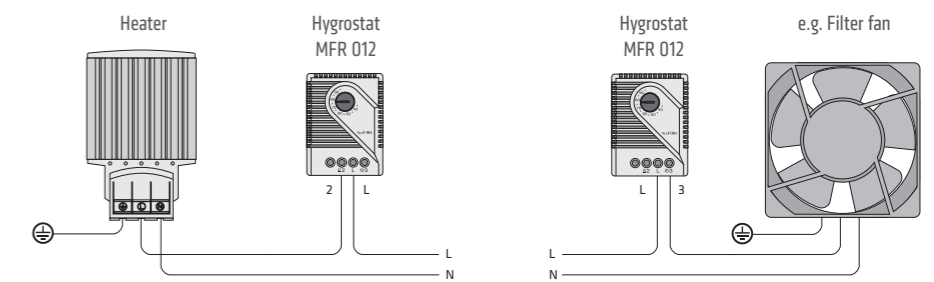
<sup>2</sup> When connecting with stranded wires, wire end ferrules must be used.



Connection diagram



Heater  
Filter fan, Cooling equipment, Signal device



Examples of connection

Art. No.	Setting range
01220.0-00	35 to 95 % RH



## ELECTRONIC HYGROSTAT

## EFR 012



- > Adjustable and pre-set relative humidity
- > Status indicator (LED)
- > High switching capacity
- > Clip fixing
- > Temperature-compensated

The electronic hygrostat senses the relative humidity in an enclosure with electric/electronic components and turns on a heater at the set point, helping prevent the formation of condensation in the enclosure. The LED integrated in the adjustment knob is lit when the connected heater is in operation.

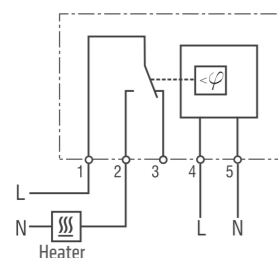
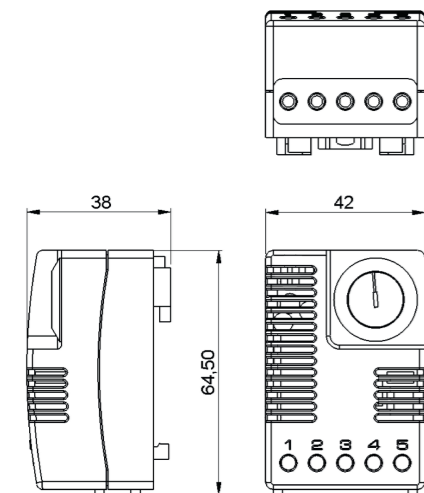


## TECHNICAL DATA

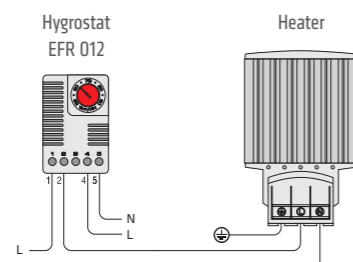
Switch difference	5 % RH ( $\pm 3$ % RH tolerance) at +25 °C (+77 °F), 50 % RH
Reaction time	5 s
Contact type	change-over contact (relay)
Service life	> 50,000 cycles
Max. switching capacity (relay output)	AC 240 V / AC 120 V 8 (1.6) A <sup>1</sup> DC 100 W at DC 24 V
Max. inrush current	AC 16 A for 10 s
Optical indicator	LED
Connection	5-pole terminal, clamping torque 0.5 Nm max.: rigid/stranded <sup>2</sup> wire 2.5 mm <sup>2</sup> (AWG 14)
Mounting	clip for 35 mm DIN rail, EN 60715
Casing	plastic according to UL94 V-0, light grey
Dimensions	64.5 x 42 x 38 mm
Weight	~ 70 g
Fitting position	vertical
Operating/Storage temperature	0 to +60 °C (+32 to +140 °F) / -20 to +70 °C (-4 to +158 °F)
Operating/Storage humidity	< 90 % RH (non-condensing)
Protection type	IP20

<sup>1</sup> Switching of resistive load (switching of inductive load)

<sup>2</sup> When connecting with stranded wires, wire end ferrules must be used.



Connection diagram



Example of connection

Art. No.	Operating voltage	Setting range	Approvals		
01245.0-00	AC 230 V, 50/60 Hz	40 to 90 % RH	VDE	UL File No. E164102	EAC
01246.0-00	AC 230 V, 50/60 Hz	65 % RH pre-set	VDE	UL File No. E164102	EAC
01246.0-01	AC 230 V, 50/60 Hz	50 % RH pre-set	VDE	UL File No. E164102	EAC
01245.9-00	AC 120 V, 50/60 Hz	40 to 90 % RH	-	UL File No. E164102	EAC
01246.9-00	AC 120 V, 50/60 Hz	65 % RH pre-set	-	UL File No. E164102	EAC

## ELECTRONIC HYGROTHERM

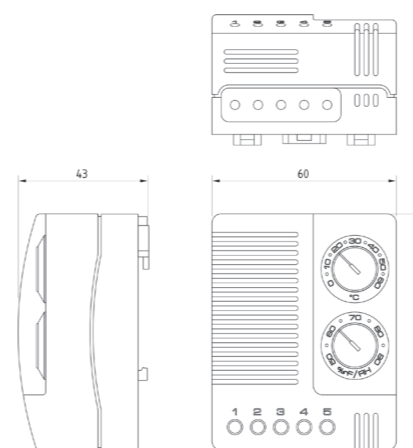
## ETF 012



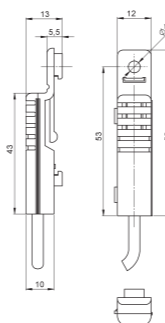
- > Temperature and humidity adjustable
- > Wide voltage range
- > Operating temperature down to -40 °C
- > High switching capacity
- > Status indicator (LED)

The electronic hygrotherm senses the ambient temperature and relative humidity in an enclosure with electric/electronic components and turns on a heater (or alternatively a fan) at either set point, helping prevent the formation of condensation in the enclosure. Due to its wide voltage range the hygrotherm can be utilised anywhere in the world. The LED integrated in the adjustment knob on the active controller is lit when the connected device is in operation. The version with an external sensor can be installed anywhere in the control cabinet and enables precise measurement.

Dimensions ETF 012



Dimensions external sensor

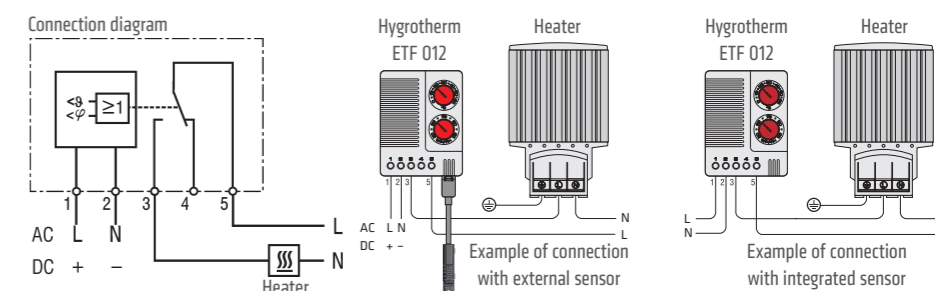


## TECHNICAL DATA

Switch difference (temperature)	2 K ( $\pm 1$ K tolerance) at +25 °C (+77 °F), 50 % RH
Switch difference (humidity)	4 % RH ( $\pm 1$ % tolerance) at +25 °C (+77 °F), 50 % RH
Reaction time (humidity)	~ 5 s
Contact type	change-over contact (relay)
Service life	VDE: NO/NC > 15,000 cycles UL: NO/NC > 30,000 cycles
Max. switching capacity (relay output)	AC 240 V, 10 (1.6) A <sup>1</sup> DC 60 V, 0.6 A
Max. inrush current	AC 30 A for 10 s
Optical indicator	LED
Connection	5-pole terminal, clamping torque 0.5 Nm max.: rigid/stranded <sup>2</sup> wire 2.5 mm <sup>2</sup> (AWG 14)
Mounting	clip for 35mm DIN rail, EN 60715
Casing	plastic according to UL94 V-0, light grey
Dimensions	77 x 60 x 43 mm
Weight	~ 0.2 kg
Fitting position	vertical
Operating/Storage temperature	-40 to +60 °C (-40 to +140 °F)
Operating/Storage humidity	< 90 % RH (non-condensing)
Protection type	IP20
Approvals	VDE, UL File No. E164102, EAC

<sup>1</sup> Switching of resistive load (switching of inductive load)

<sup>2</sup> When connecting with stranded wires, wire end ferrules must be used.



Art. No. (integrated sensor)	Art. No. (external sensor, 1 m cable)	Art. No. (external sensor, 2 m cable)	Operating voltage	Setting range temperature	Setting range humidity
01230.0-00	01231.0-00	01231.0-01	AC 100 – 240 V, 50/60 Hz (min. AC 90 V, max. AC 265 V)	0 to +60 °C	50 to 90 % RH
01230.9-00	01231.9-00	01231.9-01	AC 100 – 240 V, 50/60 Hz (min. AC 90 V, max. AC 265 V)	+32 to +140 °F	50 to 90 % RH
01230.1-00	01231.1-00	01231.1-01	DC 24 – 48 V (min. DC 20 V, max. DC 60 V)	0 to +60 °C	50 to 90 % RH

## ELECTRONIC THERMOSTAT – DC LINE

DCT 010 | DC 20 to 56 V



- > High DC switching capacity
- > Adjustable temperature
- > Small hysteresis
- > Optical operating display (LED)
- > Integrated switch module
- > Precise measurement via an external sensor

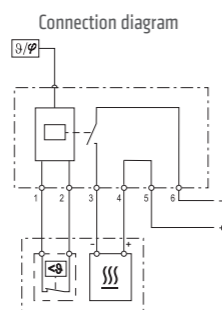
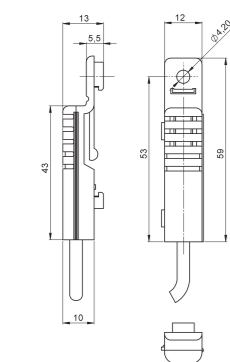
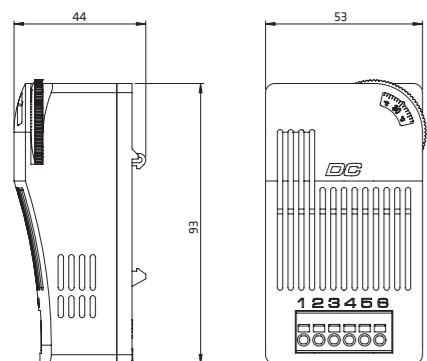
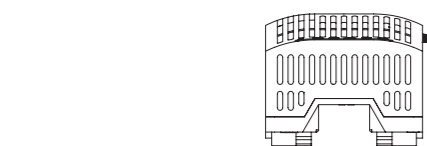
The electronic thermostat with integrated switch module is used to control DC powered devices with high capacities in control and switch cabinets. Heaters, coolers, filter fans or signal devices can directly be controlled via an internal electronic circuit. The external sensor can be positioned freely anywhere in the control cabinet for precise temperature measurements. Additionally, this thermostat is available in versions that not only measure temperature via the external sensor, but also the relative humidity.



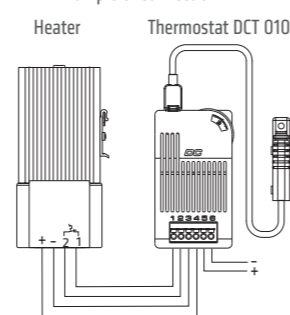
### TECHNICAL DATA

Switch difference (temperature)	3 K ( $\pm 1$ K tolerance) at +25 °C (+77 °F), 50 % RH
Reaction time	~ 5 s
External sensor	cable 2 m with snap in connector (included in the delivery)
Contact type	contact maker NO (MOSFET) or contact breaker NC (MOSFET)
Service life	> 100,000 cycles
Operating voltage	DC 20 to 56 V
Optical indicator	LED
Connection	6-pole terminal: stranded wire <sup>1</sup> 1.5 mm <sup>2</sup> (AWG 16); max. 2.5 mm <sup>2</sup> (AWG 12)
Mounting	clip for 35 mm DIN rail, EN 60715
Casing	plastic according to UL94 V-0, grey (bicolor)
Dimensions	93 x 53 x 44 mm
Weight	~ 120 g (incl. sensor)
Fitting position	vertical
Storage temperature	-40 to +80 °C (-40 to +176 °F)
Operating / Storage humidity	< 90 % RH (non-condensing)
Protection type	IP20
Approvals	UL File No. E164102, VDE, EAC
Note	other versions (e.g. setting ranges and °F) on request

<sup>1</sup>When connecting with stranded wires, wire end ferrules must be used.



Example of connection



Art. No.	Max. switching capacity	Operating temperature	Primary switching function setting range temperature	Secondary switching function <sup>2</sup> humidity setting	Contact (primary)
01011.0-21	DC 13 A	-40 to +50 °C (-40 to +122 °F)	-10 to +50 °C	-	Contact maker (NO)
01011.0-22	DC 11 A	-40 to +60 °C (-40 to +140 °F)	0 to +60 °C	-	Contact maker (NO)
01011.0-41	DC 13 A	-40 to +50 °C (-40 to +122 °F)	-10 to +50 °C	65 % RH pre-set	Contact breaker (NC)
01011.0-42	DC 11 A	-40 to +60 °C (-40 to +140 °F)	0 to +60 °C	65 % RH pre-set	Contact breaker (NC)

<sup>2</sup> Versions with secondary switching function can also register the humidity and therefore offer an additional protection for electronics. Switch difference: 4 % RH ( $\pm 1$  % tolerance) at +25 °C (+77 °F), 50 % RH.

## ELECTRONIC HYGROSTAT – DC LINE

DCF 010 | DC 20 to 56 V



- > High DC switching capacity
- > Adjustable humidity
- > Small hysteresis
- > Optical operating display (LED)
- > Integrated switch module
- > Precise measurement via an external sensor

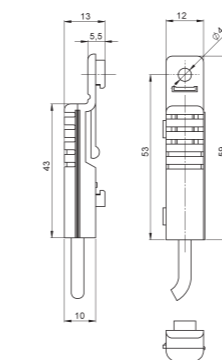
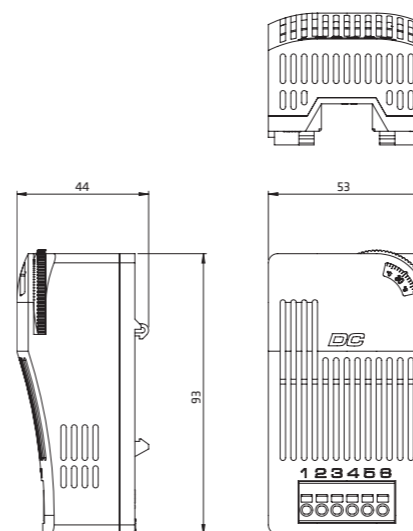
The electronic hygrostat with integrated switch module is used to control DC powered devices with high capacities in control and switch cabinets. Heaters, coolers, filter fans or signal devices can directly be controlled via an internal electronic circuit. The external sensor can be positioned freely anywhere in the control cabinet for precise measurement of the atmospheric humidity. Additionally, this hygrostat is available in versions that not only measure the relative humidity via the external sensor, but also the temperature.



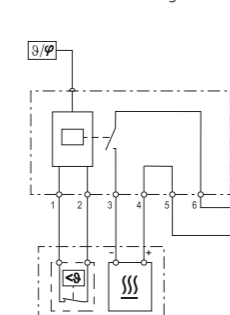
### TECHNICAL DATA

Switch difference (humidity)	4 % RH ( $\pm 1$ % tolerance) at +25 °C (+77 °F), 50 % RH
Reaction time	~ 5 s
External sensor	cable 2 m with snap in connector (included in the delivery)
Contact type	contact maker NO (MOSFET) or contact breaker NC (MOSFET)
Service life	> 100,000 cycles
Operating voltage	DC 20 to 56 V
Optical indicator	LED
Connection	6-pole terminal: stranded wire <sup>1</sup> 1.5 mm <sup>2</sup> (AWG 16); max. 2.5 mm <sup>2</sup> (AWG 12)
Mounting	clip for 35 mm DIN rail, EN 60715
Casing	plastic according to UL94 V-0, grey (bicolor)
Dimensions	93 x 53 x 44 mm
Weight	~ 120 g (incl. sensor)
Fitting position	vertical
Storage temperature	-40 to +80 °C (-40 to +176 °F)
Operating / Storage humidity	< 90 % RH (non-condensing)
Protection type	IP20
Approvals	UL File No. E164102, VDE, EAC
Note	other versions on request

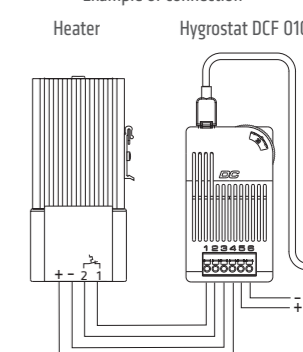
<sup>1</sup>When connecting with stranded wires, wire end ferrules must be used.



Connection diagram



Example of connection



Art. No.	Max. switching capacity	Operating temperature	Primary switching function setting range humidity	Secondary switching function <sup>2</sup> Switch-on temperature	Contact (primary)
01012.0-20	DC 15 A	-40 to +40 °C (-40 to +104 °F)	40 to 90 % RH	+5 °C (+41 °F) pre-set	Contact maker (NO)
01012.0-21	DC 13 A	-40 to +50 °C (-40 to +122 °F)	40 to 90 % RH	+5 °C (+41 °F) pre-set	Contact maker (NO)
01012.0-22	DC 11 A	-40 to +60 °C (-40 to +140 °F)	40 to 90 % RH	+5 °C (+41 °F) pre-set	Contact maker (NO)

<sup>2</sup> Versions with secondary switching function can also register the temperature and therefore offer an additional protection for electronics. Switch difference: 3 K ( $\pm 1$  K tolerance) at +25 °C (+77 °F), 50 % RH.

## SWITCH MODULE – DC LINE

DCM 010 | DC 20 to 56 V



- > High DC switching capacity
- > Variety of applications

- > Wide DC voltage range
- > Simple connection

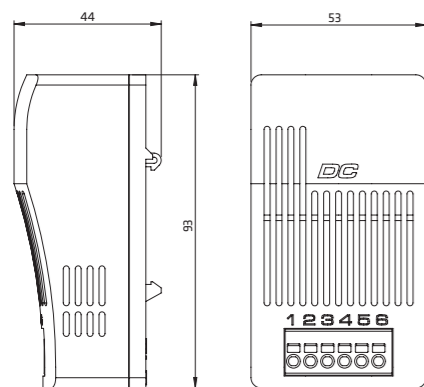
The switch module is used to control DC powered devices with high capacities in control and switch cabinets. It is controlled via an external potential-free contact (thermostat or hygrostat), which is connected between terminal 3 and 4. It must be ensured that the external contact is suitable to switch the required signal current without any problems.



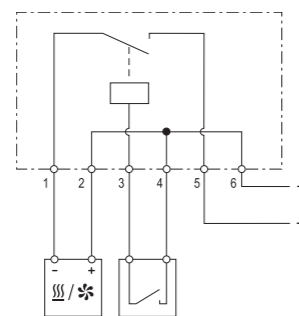
### TECHNICAL DATA

Contact type	contact maker normally open (MOSFET)
Service life	> 100,000 cycles
Operating voltage	DC 20 to 56 V
Control contact – signal current	3 mA at DC 20 V / 4.5 mA at DC 24 V 14 mA at DC 48 V / 17 mA at DC 56 V
Connection	6-pole terminal: stranded wire <sup>1</sup> 1.5 mm <sup>2</sup> (AWG 16); max. 2.5 mm <sup>2</sup> (AWG 12)
Mounting	clip for 35 mm DIN rail, EN 60715
Casing	plastic according to UL94 V-0, grey (bicolor)
Dimensions	93 x 53 x 44 mm
Weight	~ 65 g
Fitting position	vertical
Operating temperature	see article table below
Storage temperature	-40 to +80 °C (-40 to +176 °F)
Operating / Storage humidity	< 90 % RH (non-condensing)
Protection type	IP20
Approvals	UL File No. E342261, VDE, EAC
Note	other versions on request

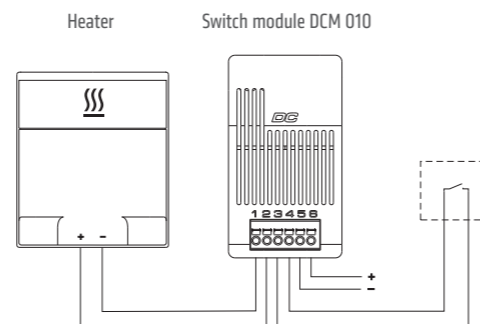
<sup>1</sup> When connecting with stranded wires, wire end ferrules must be used.



Connection diagram



Example of connection



Art. No.	Max. switching capacity	Operating temperature
01010.0-00	DC 15 A	-40 to +40 °C (-40 to +104 °F)
01010.0-10	DC 13 A	-40 to +50 °C (-40 to +122 °F)
01010.0-20	DC 11 A	-40 to +60 °C (-40 to +140 °F)

## EXPLOSION-PROOF THERMOSTAT

REX 011 | 15 °C, 25 °C (T6)



- > For areas with explosion and firedamp hazard
- > High switching capacity
- > Compact Design

- > Set temperature
- > Ready-to-use with strain relief
- > Temperature class T6

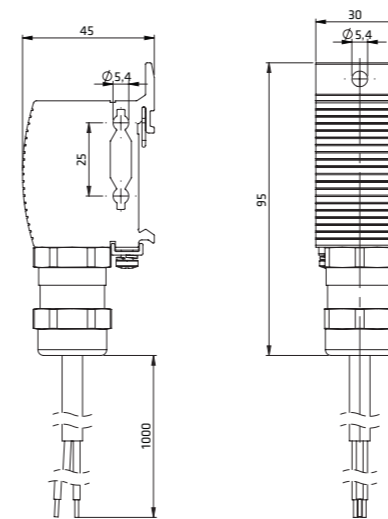
Compact, small mechanical thermostat offering a high response accuracy/time, small switch temperature difference, and a very long service life (switching cycles). This thermostat of temperature class T6 (85 ° max.) is utilised for the regulation of heaters within control and switch cabinets, as well as measuring equipment located in areas with explosion hazard, underground mines and mines susceptible to firedamp. The high switching performance allows for direct control of heaters.



### TECHNICAL DATA

Temperature class	T6
Ex Protection type	Ex II 2 GD
Gases	Ex db IIC T6 Gb
Dusts	Ex tb IIIC T85°C Db IP66
Mine applications	I M2 Ex db I Mb
Ambient temperature	-60 to +60 °C (-76 to +140 °F)
Sensor element	thermostatic bimetal
Service life	> 100,000 cycles
Max. switching capacity	AC 250 V 10 A <sup>1</sup> DC 24 V 1 A
Min. switching capacity	DC 1.5 V 5 mA
Max. inrush current	AC 16 A for 12 s
Connection	silicone cable (halogen-free) 3 x 1 mm <sup>2</sup>
Connection PE	1.0 to 2.5 mm <sup>2</sup>
Mounting	clip for 35 mm DIN rail, EN 60715 screw fixing M5, optional widthwise mounting
Casing	aluminium, silver anodised
Dimensions	95 x 45 x 30 mm
Weight	~ 0.3 kg
Fitting position	variable
Storage temperature	-60 to +85 °C (-76 to +185 °F)
Operating/Storage humidity	< 90 % RH (non-condensing)
Protection type/Protection class	IP66 / I (earthed)
Approvals	EPS 16 ATEX 1118 X IECEx EPS 16.0054X IN METRO DNV 18.0011 X EAC TC RU C-FR.Г508.В.02639

<sup>1</sup> currents above 4 A affect the switch temperature difference



Art. No.	Cable Length	Contact type (1-pole)	Switch temperature	Switch temperature difference
01185.0-00	1 m	Contact breaker (NC)	+15 °C (±3 K tolerance)	5 K (±3 K tolerance)
01185.1-00	1 m	Contact breaker (NC)	+25 °C (±3 K tolerance)	5 K (±3 K tolerance)
01185.0-01	2 m	Contact breaker (NC)	+15 °C (±3 K tolerance)	5 K (±3 K tolerance)
01185.1-01	2 m	Contact breaker (NC)	+25 °C (±3 K tolerance)	5 K (±3 K tolerance)



## SMART SENSOR DIGITAL

CSS 014 | IO-LINK, DC 24 V



- > Digital interface
- > Small size
- > Easy clip and/or screw fixing
- > Quick connection (M12 plug-in connector)
- > High accuracy
- > Large temperature and humidity range
- > Various application areas (IEC 61010-1/DIN EN 61010-1)

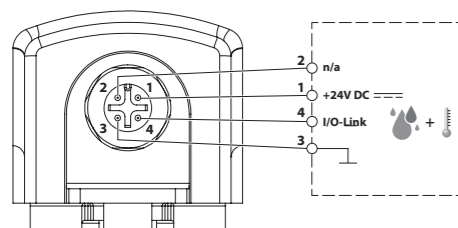
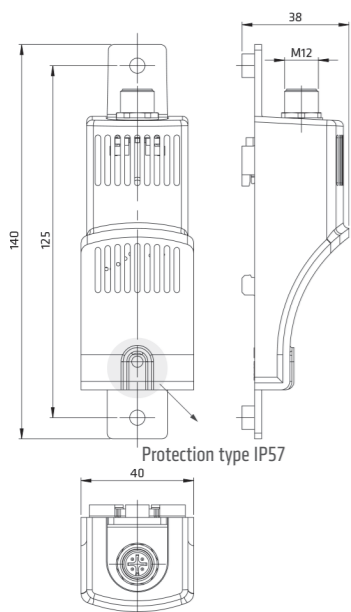
The compact Smart Sensor CSS 014 electronically records temperature and humidity and converts the measured data into a standardized digital IO-Link signal. The converted value signals can be utilized or further processed by a control or monitoring unit, e.g. a PLC control. The Smart Sensor CSS 014 is suitable for use in control cabinets and enclosures, but can also be installed in many new areas of application and can even be used in harsh environmental conditions, e.g. in the wind power industry. It is characterised by its combined perception and diagnostic capabilities, which significantly contribute to the optimisation of digitalisation processes



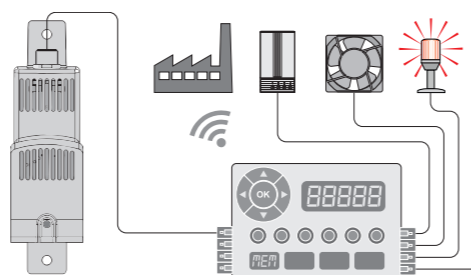
### TECHNICAL DATA

Measuring signals digital (IO-Link)	temperature, humidity events, diagnosis, device data
Load resistance (external)	≤ 500 Ω (4-20 mA only)
Connection	M12 round plug connector, IEC 61076-2-101, 4-pin, A-coded, shielded
Electrical protection	Reverse-polarity, short circuit, overvoltage protection
Mounting	clip for 35 mm DIN rail, EN 60715 and screw fixing M5
Casing	plastic according to UL94 V-0, light grey
Dimensions	140 x 40 x 38 mm
Weight	~ 50 g
Fitting position	vertical, connection on top
Storage temperature	-40 to +85 °C (-40 to +185 °F)
Operating/Storage humidity	< 90 % RH (non-condensing)
Protection type <sup>1</sup> /Protection class	IP20 (sensor only IP57) / III (SELV)
Approvals	VDE, UL File No. E500143 (acc. to IEC 61010-1/DIN EN 61010-1), EAC
Note	other measuring ranges on request

<sup>1</sup>The PCB (printed circuit board) is coated on both sides with a certified protective lacquer to protect against corrosion and for improvement of the tracking resistance.



Pin assignment for 4-pin M12 round plug connector



Example of connection

Art. No.	Interface	Operating voltage	Power consumption max.	Temperature measuring range	Humidity measuring range	Operating temperature
01411.2-00	IO-Link (digital, specified acc. to version 1.1)	DC 24 V (DC 18-30 V)	0.3 W	-40 to +80 °C (-40 to +176 °F) ± 0.3 K <sup>2</sup> (Max. reaction time t <sub>90</sub> 195 s)	0 to 100% RH ± 3% <sup>3</sup> (Max. reaction time t <sub>90</sub> 14 s)	-40 to +80 °C (-40 to +176 °F)

<sup>2</sup> Toleranz within +5 to +60 °C (please request diagram for tolerances outside this range); <sup>3</sup> Tolerance within 20 to 80 % RH

## SMART SENSOR ANALOG

CSS 014 | DC 24 V



- > Analog interface
- > Small size
- > Easy clip and/or screw fixing
- > Quick connection (M12 plug-in connector)
- > High accuracy
- > Large temperature and humidity range
- > Various application areas (IEC 61010-1/DIN EN 61010-1)

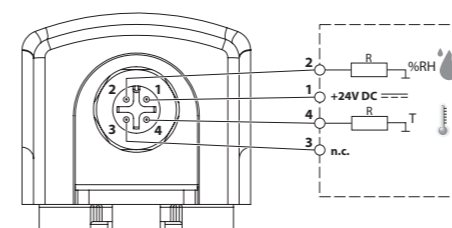
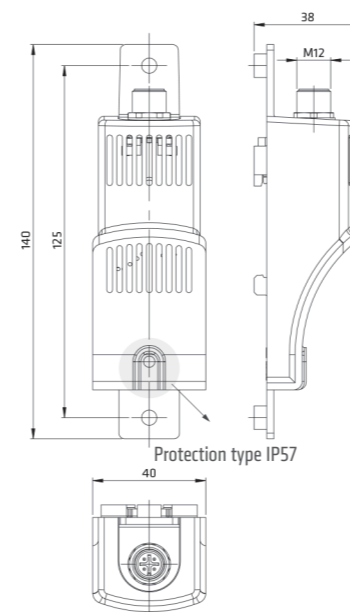
The compact Smart Sensor CSS 014 electronically records temperature and humidity and converts the measured data into a standardized analog 4-20 mA signal. The converted value signals can be utilized or further processed by a control or monitoring unit, e.g. a PLC control. The Smart Sensor is suitable for installation inside and outside the enclosure, even in harsh environmental conditions as can be found in the wind power industry; in shielded outdoor areas and exposed to vibrations.



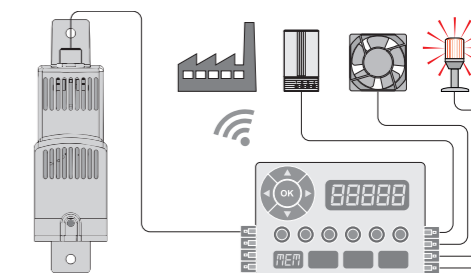
### TECHNICAL DATA

Measuring signals analog (4-20 mA)	temperature, humidity
Load resistance (external)	≤ 500 Ω (4-20 mA only)
Connection	M12 round plug connector, IEC 61076-2-101, 4-pin, A-coded, shielded
Electrical protection	Reverse-polarity, short circuit, overvoltage protection
Mounting	clip for 35 mm DIN rail, EN 60715 and screw fixing M5
Casing	plastic according to UL94 V-0, light grey
Dimensions	140 x 40 x 38 mm
Weight	~ 50 g
Fitting position	vertical, connection on top
Storage temperature	-40 to +85 °C (-40 to +185 °F)
Operating/Storage humidity	< 90 % RH (non-condensing)
Protection type <sup>1</sup> /Protection class	IP20 (sensor only IP57) / III (SELV)
Approvals	VDE, UL File No. E500143 (acc. to IEC 61010-1/DIN EN 61010-1), EAC
Note	other measuring ranges on request

<sup>1</sup>The PCB (printed circuit board) is coated on both sides with a certified protective lacquer to protect against corrosion and for improvement of the tracking resistance.



Pin assignment for 4-pin M12 round plug connector



Example of connection

Art. No.	Interface	Operating voltage	Power consumption max.	Temperature measuring range	Humidity measuring range	Operating temperature
01420.2-00	4-20 mA (analog)	DC 24 V (DC 12-30 V): 0 Ω < R < 160 Ω: (DC 12-30 V) 160 Ω < R < 500 Ω: (DC 20-30 V)	1.8 W (typically 0.4 W)	-40 to +60 °C (-40 to +140 °F) ± 1 K (Max. reaction time t <sub>90</sub> 195 s)	0 to 100 % RH ± 4% <sup>2</sup> (Max. reaction time t <sub>90</sub> 8 s)	-40 to +70 °C (-40 to +158 °F)

<sup>2</sup> Tolerance within 20 to 80 % RH

# DISTANCE SENSOR

DSS 015 | IO-LINK, DC 24 V



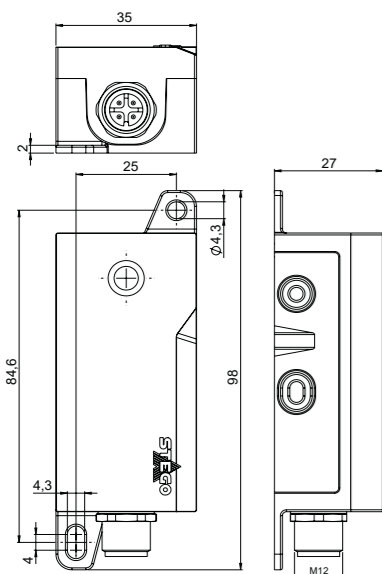
- > Digital IO-Link interface
- > Compact dimensions
- > Versatile screw fixing
- > High accuracy
- > Quick connection (M12 plug-in connector)
- > Large distance measuring range

The compact distance smart sensor determines the distance to objects using ultrasonic waves and the principle of time-of-flight measurement (ToF). It is suitable for numerous applications in the areas of distance and level monitoring. In contrast to other distance measuring methods (e.g., measuring with laser), the DSS 015 detects even transparent objects such as glass, foil and liquids and is insensitive to changing light conditions. The IO-Link interface makes it very easy to connect to higher-level control systems (e.g., PLC).

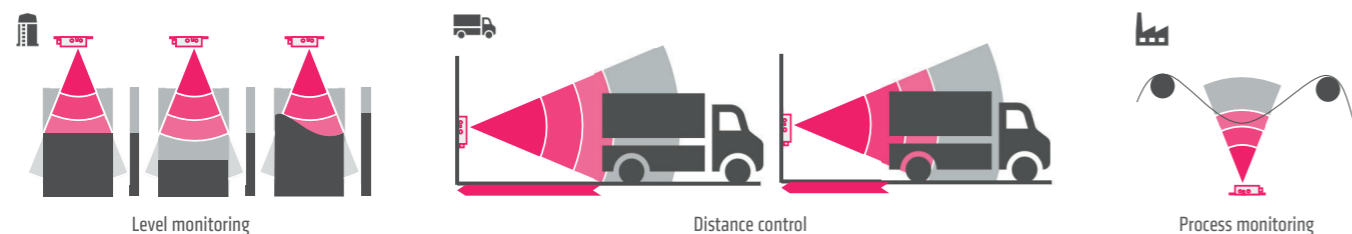


### TECHNICAL DATA

Detection range	0,3 m to 4 m
Sensor field of vision	45° cone-shaped
Interface	IO-Link (version 1.1)
Connection	Plug-in connector M12, IEC 61076-2-101, 4-pin, A-coded, shielded, max. cable length: 20 m
Electrical protection	Reverse-polarity, short circuit, overvoltage protection
Mounting	Mounting M4 or M3
Casing	Plastic according to UL94 V-0
Dimensions	98 x 35 x 27 mm
Weight	~ 40 g
Fitting position	variable, aligned perpendicular to the measured object
Operating temperature	-25 to +70 °C (-13 to +158 °F)
Storage temperature	-40 to 85 °C (-40 to 185 °F)
Operating/Storage humidity	< 90 % rF (non-condensing)
Protection type/Protection class	IP40 / III (SELV)
Approvals	VDE and UL up-coming DIN EN 61010-1 DIN EN 61000-4-2 ESD DIN EN 61000-4-3 HF-radiation DIN EN 61000-4-4 Transient DIN EN 61000-4-6 HF-current input



### EXAMPLES OF APPLICATION



Art. No.	Interface	Measuring resolution	Measuring tolerance	Measuring frequency	Power consumption max.	Operating voltage
01500.2-00	IO-Link (version 1.1)	1 mm	±2 %	10 Hz	0,6 W	DC 24 V (DC 18 - 30V)

20.10.2022 | Specifications are subject to change without notice. Errors and omissions excepted. Suitability of this product for its intended use and any associated risks must be determined by the end customer/buyer in its final application. www.stego.de | www.stego.co.uk | www.stegonorden.se

# SENSOR HUB & SENSORS

SHC 071 | IO-Link, DC 24 V, 4 Sensor Ports



- > Digital IO-Link Interface
- > Small dimensions
- > Easy DIN rail and screw mounting
- > M12 plug-in connector
- > For 1 to 4 digital STEGO sensors
- > Quick connection of sensors via connectors
- > 4 sensor types

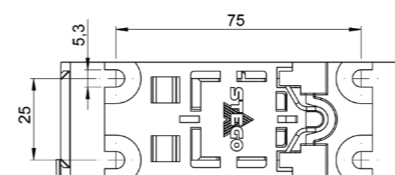
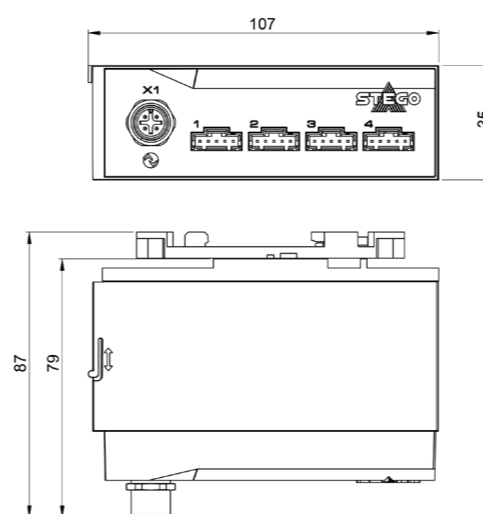
The SHC 071 sensor hub enables up to four digital STEGO SEN 073 sensors to be integrated into IO-Link. Thus, up to eight measured values can be made available on one IO-Link port. Conventional IO-Link-capable sensors, on the other hand, will occupy one IO-Link port each on the IO-Link master. The slot assignment of the sensors on the SHC 071 sensor hub is freely selectable. The sensors SEN 073 can only be operated with the sensor hub SHC 071. Detailed information on the STEGO sensors SEN 073 for the sensor hub SHC 071 is provided on the following pages.



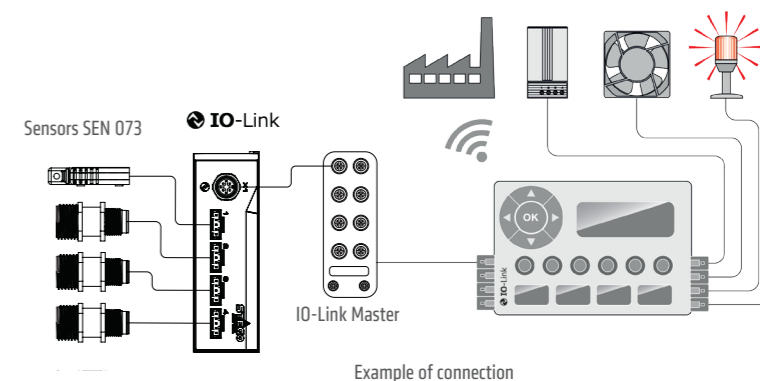
### TECHNICAL DATA

Sensor connection	4 ports with strain relief for up to 4 STEGO sensors <sup>1</sup>
IO-Link connection	M12 round plug connector, IEC 61076-2-101, 4-pin, A-coded
Electrical protection	Reverse-polarity, short circuit, overvoltage protection
Mounting	clip for 35 mm DIN rail, EN 60715 and screw mounting (M5)
Casing	plastic according to UL94 V-0, light grey
Dimensions	107 x 35 x 79 mm (87 mm with universal mounting bracket)
Weight	approx. 110 g
Fitting position	variable
Operating temperature	-40 to +80 °C (-40 to +176 °F)
Storage temperature	-40 to +85 °C (-40 to +185 °F)
Operating/Storage humidity	max. 90 % RH (non-condensing)
Operating altitude	≤ 4,000 m above sea level
Protection type/Protection class	IP40 / III (SELV)
Certificates	EC 61010-1 UL and VDE up-coming

<sup>1</sup> STEGO sensors SEN 073 must be ordered separately.



Universal mounting bracket for DIN rail and screw mounting

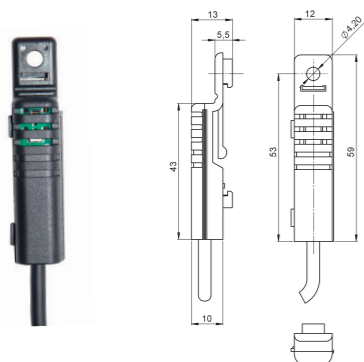


Art. No.	Interface	Operating voltage	Power consumption max.
07100.2-00	IO-Link (digital, specified acc. to version 1.1)	DC 24 V (DC 18-30 V)	0.5 W

20.10.2022 | Specifications are subject to change without notice. Errors and omissions excepted. Suitability of this product for its intended use and any associated risks must be determined by the end customer/buyer in its final application. www.stego.de | www.stego.co.uk | www.stegonorden.se

DIGITAL PLUG & CONNECT SENSORS SEN 073 FOR SENSOR HUB SHC 071

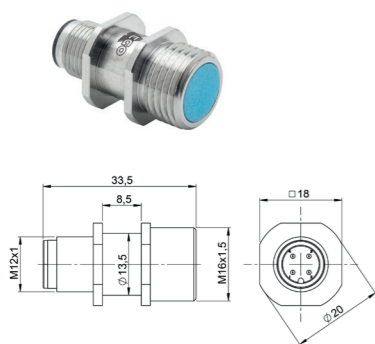
The sensors for the SHC 071 Sensor Hub must be ordered separately. The digital sensors listed below are the current range of Plug & Connect compatible components for the Sensor Hub. All these sensors are pre-calibrated and thus immediately ready for use; individual calibration effort is not required. Due to their small dimensions and customizable cable lengths, they can be flexibly positioned and easily mounted. A mounting clip is included in the scope of delivery for each sensor.



TECHNICAL DATA

<b>Mounting</b>	clip for 35 mm DIN rail, EN 60715 and screw mounting (M4)
<b>Casing</b>	plastic according to UL94 V-0, black
<b>Dimensions/Weight</b>	59 x 12 x 13 mm
<b>Fitting position</b>	variable
<b>Response time T<sub>63</sub></b>	temperature: < 1,5 min, humidity: < 7 s
<b>Operating/Storage temperature</b>	-40 to +85 °C (-40 to +185 °F)
<b>Operating/Storage humidity</b>	100 % RH / max. 90 % RH (non-condensing)
<b>Operating altitude</b>	≤ 4,000 m above sea level
<b>Protection type</b>	IP20

Art. No.	Sensor	Connection	Measuring range 1	Measuring range 2	Weight (approx.)
07300.1-00	Temperature + rel. Humidity	cable with connector, shielded, 1.0 m	-40 to +80 °C (-40 to +176 °F) ±0.2 K	0 to 100 % RH ±2 %	40 g
07300.1-01	Temperature + rel. Humidity	cable with connector, shielded, 2.0 m	-40 to +80 °C (-40 to +176 °F) ±0.2 K	0 to 100 % RH ±2 %	70 g



TECHNICAL DATA

<b>Mounting</b>	incl. mounting clip for screw mounting, Ø 3 mm, see photo
<b>Casing</b>	stainless steel
<b>Dimensions/Weight</b>	33.5 x Ø 20 mm / approx. 25 g
<b>Fitting position</b>	variable
<b>Connection</b>	M12 plug IEC 61076-2-101, 4-pin, A-coded
<b>Operating/Storage humidity</b>	100 % RH / max. 90 % RH (non-condensing)
<b>Operating altitude</b>	≤ 4,000 m above sea level
<b>Protection type</b>	IP64
<b>Note</b>	Max. two of the four ports can be assigned with VOC sensors

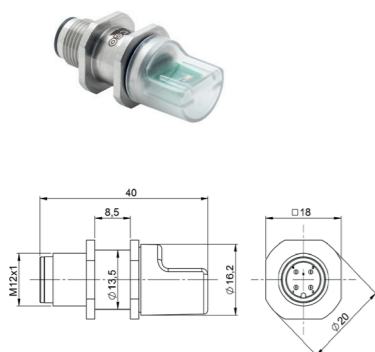
Art. No.	Sensor	Operating/Storage temperature	Measuring range 1	Measuring range 2	Response time T <sub>63</sub>
07300.0-00	Temperature + relative Humidity	-40 to +70 °C (-40 to +158 °F) / -40 to +85 °C (-40 to +185 °F)	0 to 100 % RH ±2 %	0 to 100 % rF ± 2 %	temperature: < 2 min, humidity: < 20 s
07301.0-00	Absolute atmospheric pressure + temperature	-40 to +70 °C (-40 to +158 °F) / -40 to +85 °C (-40 to +185 °F)	300 to 1100 hPa	-40 to +70 °C (-40 to +158 °F)	absolute atmospheric pressure: < 5 s, temperature: < 2,5 min
07303.0-00	Air quality + temperature	-10 to +50 °C (-10 to +122 °F) / -5 to +30 °C (-41 to +86 °F)	VOC-Index: 0 - 500	-10 to +50 °C	air quality: < 10 s, temperature: < 2,5 min



Photo: Mounting clip for screw mounting, Ø 3 mm (included)

TECHNICAL DATA

<b>Mounting</b>	incl. mounting clip for screw mounting, Ø 3 mm, see photo
<b>Casing</b>	stainless steel
<b>Dimensions/Weight</b>	33.5 x Ø 20 mm / approx. 25 g
<b>Fitting position</b>	variable
<b>Operating/Storage temperature</b>	-40 to +85 °C (-40 to +185 °F)
<b>Operating/Storage humidity</b>	100 % RH / max. 90 % RH (non-condensing)
<b>Operating altitude</b>	≤ 4,000 m above sea level
<b>Note</b>	IP65



Art. No.	Sensor	Connection	Measuring range	Relative accuracy	Response time T <sub>63</sub>
07302.0-00	Visible light	M12 plug IEC 61076-2-101, 4-pin, A-coded	0,01 to 83.865 lx	0,2 %	< 7 s

www.stego.de | www.stego.co.uk | www.stegonorden.se  
20.10.2022 | Specifications are subject to change without notice. Errors and omissions excepted. Suitability of this product for its intended use and any associated risks must be determined by the end customer/buyer in its final application.

CABLE

These cables are required to connect the IO-Link sensor hub SHC 071 and its digital plug & connect sensors of the series SEN 073. The cables are not included in the scope of delivery of the sensors. The sensor cable with plug connection is locking and shielded.

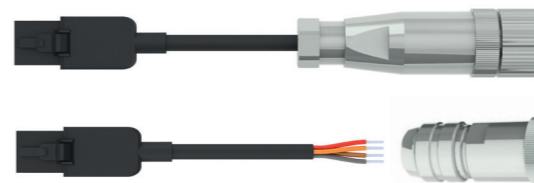


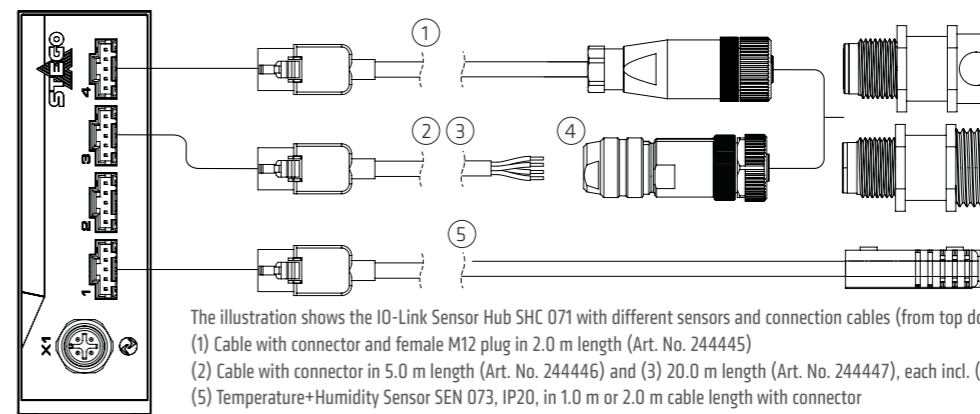
Image: standard cable - Art. No. 244445



Image: customizable lengths - Art. No. 244446 and Art. No. 244447

Art. No.	Length	Connection
244445	2,0 m	fully assembled with female M12 plug IEC 61076-2-101, 4-pin, A-coded, shielded
244446	5,0 m	for self-assembly, incl. female M12 plug IEC 61076-2-101, 4-pin, A-coded, shielded
244447	20,0 m	for self-assembly, incl. female M12 plug IEC 61076-2-101, 4-pin, A-coded, shielded

CONNECTION EXAMPLE



The illustration shows the IO-Link Sensor Hub SHC 071 with different sensors and connection cables (from top down):  
(1) Cable with connector and female M12 plug in 2.0 m length (Art. No. 244445)  
(2) Cable with connector in 5.0 m length (Art. No. 244446) and (3) 20.0 m length (Art. No. 244447), each incl. (4) female M12 plug for self-assembly  
(5) Temperature+Humidity Sensor SEN 073, IP20, in 1.0 m or 2.0 m cable length with connector

20.10.2022 | Specifications are subject to change without notice. Errors and omissions excepted. Suitability of this product for its intended use and any associated risks must be determined by the end customer/buyer in its final application.

## ACTUATOR HUB

AHC 072 | IO-Link, DC 24 V, 3 Relais Outputs



- > Digital IO-Link interface
- > Small size
- > Easy DIN rail or screw mounting
- > M12 plug-in connector
- > for 1 to 3 actuators
- > Quick connection for actuators via Push-In terminals
- > Optical indicators (LEDs)

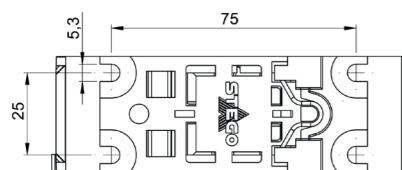
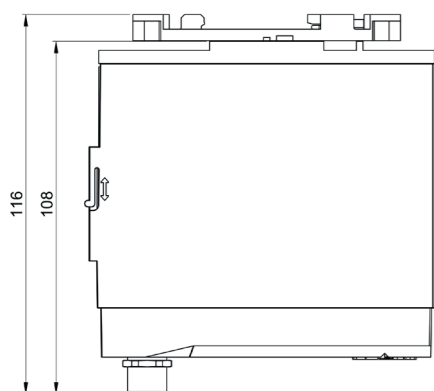
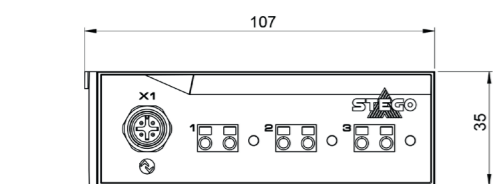
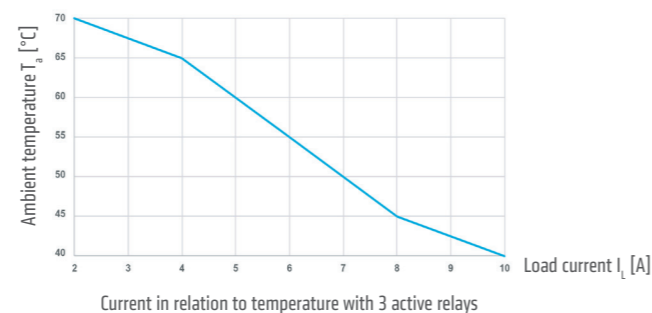
The IO-Link Actuator Hub AHC 072 can switch up to three actuators or loads on process level via relays. Switching commands for the loads are received via the IO-Link interface from a higher-level control unit: edge computer, cloud, PLC control, etc. The actuator hub supports both AC and DC loads, independent of their function or whether they have a communication interface. This means that analog devices, such as heaters or filter fans, can easily be integrated into a digital network. The actuator hub combined with other products of the STEGO CONNECT product family can be built into a powerful IO-Link IIoT system. Please visit our website on [www.stego-connect.com](http://www.stego-connect.com) for further information.

### TECHNICAL DATA

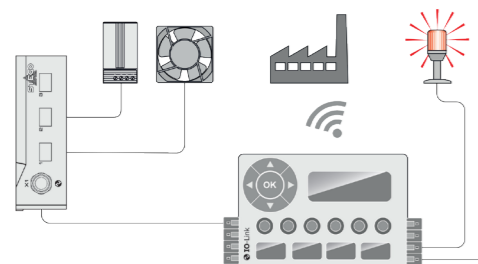


Number of relay outputs	1 to 3 contact makers (NO), with 3 optical indicators
Max. switching capacity	AC 240 V, 10 A DC 30 V, 10 A
Max. inrush current	AC 16 A for 10 s
Actuator connection	2-pole Push-In terminals (3 x)
IO-Link connection	M12 round plug connector, IEC 61076-2-101, 4-pin, A-coded
Electrical protection	Reverse-polarity, short circuit, overvoltage protection
Mounting	clip for 35 mm DIN rail, EN 60715 and screw mounting (M5)
Casing	plastic according to UL94 V-0, light grey
Dimensions	107 x 35 x 108 mm (116 mm with universal mounting bracket)
Weight	approx. 160 g
Fitting position	variable
Operating temperature <sup>1</sup>	-40 to +70 °C (-40 to +158 °F) with 3 outputs with 2 A load each <sup>1</sup> -40 to +40 °C (-40 to +104 °F) with 3 outputs with 10 A load each <sup>1</sup>
Storage temperature	-40 to +85 °C (-40 to +185 °F)
Operating/Storage humidity	max. 90 % RH (non-condensing)
Operating altitude	≤ 4,000 m above sea level
Protection type/Protection class	IP40 / III (SELV)
Certificates	CB No. DE1-63389 in conformity with IEC 61010-1 evaluated according to UL and CSA standards

<sup>1</sup>The max. operating temperature depends on the current (see diagram) and the number of loads.



Universal mounting bracket for DIN rail and screw mounting



Example of connection

Art. No.	Interface	Operating voltage	Power consumption max.	Push-In terminals wire cross sections <sup>2</sup>
07200.2-00	IO-Link (digital, specified acc. to version 1.1)	DC 24 V (DC 18-30 V)	1.4 W	1.5 mm <sup>2</sup> (VDE) AWG 18 (UL)

<sup>2</sup> stranded wire with wire end ferrule



# LIGHTING

## IDEAL LIGHTING SOLUTIONS

Our lighting solutions ensure that maintenance on electronic installations can be carried out night and day.



# LED ENCLOSURE LAMP

## LED 021/022

LED 021  
Movement sensor and  
screw fixing

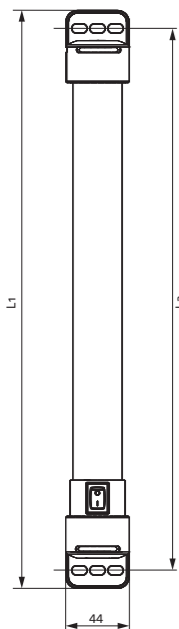
LED 022  
On/off switch  
and magnet fixing



LED 021/022  
magnet or  
screw fixing



LED 021/022  
side view



LED 021 (Size 1)  
L1 = 400 mm  
L2 = 375 mm

LED 022 (Size 2)  
L1 = 600 mm  
L2 = 575 mm

- > High luminous flux
- > Integrated power unit
- > Durable and maintenance-free LED technology
- > Daisy chain
- > On/off switch or movement sensor
- > Magnet or screw fixing

The LED 021/022 Varioline is a powerful and compact LED lamp for use in enclosures. Its LED tube emits more than 1,000/1,700 Lm at only 10 W/15 W power consumption, thereby illuminating even very large enclosures in their full depth and height. The glare-free, 360° rotatable LED tube uses Mid-power LEDs with a service life of 60,000 h. The emitted daylight color of 6,500 K provides safety for the user by a natural and non-fading color reproduction.



### TECHNICAL DATA

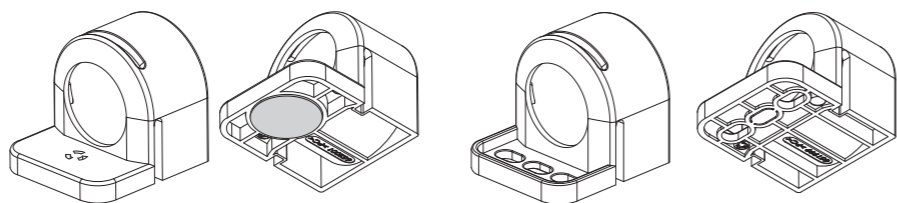
Power consumption	< 10 W/15 W
Operating voltage	AC 100 – 240 V, 50/60 Hz (min. AC 90 V, max. AC 265 V)
Luminous flux	1,080 Lm/1,730 Lm
Lamp type	LED, angle of radiation 120° light color: daylight, color temperature: 6,500 K
Service life	60,000 h at +20 °C (+68 °F)
Connection	2-pole connector with snap lock AC: max. 2.5 A / AC 240 V, color: white
Mounting	magnet fixing or screw fixing (MS), torque 2 Nm max.
Casing	plastic, translucent
Dimensions	see drawings
Weight	~ 0.2 kg/0.3 kg
Operating/Storage temperature	-40 to +40 °C (-40 to +104 °F) / -40 to +85 °C (-40 to +185 °F)
Operating/Storage humidity	< 90 % RH (non-condensing)
Protection type/Protection class	IP20 / II (double insulated)
Energy efficiency class	F

**Mounting options:** The lamps are available with magnet fixing for easy positioning in any steel cabinet or enclosure. A classic is the LED 021/022 with screw fixing. With a total rotation angle of 360° it provides perfect illumination.

**Note:** The lamp must not be used for household lighting.

View of magnet fixing

View of screw fixing



Size 1: L1 = 400 mm		Size 2: L1 = 600 mm		Switch	Approvals		
Art. No. Magnet fixing	Art. No. Screw fixing	Art. No. Magnet fixing	Art. No. Screw fixing				
02100.0-30	02100.0-00	02200.0-30	02200.0-00	On/off switch	VDE	UL File No. E234324	EAC
02110.0-30	02110.0-00	02210.0-30	02210.0-00	PIR movement sensor <sup>1</sup>	VDE	UL File No. E234324	EAC
02120.0-30	02120.0-00	02220.0-30	02220.0-00	without switching option	VDE	UL File No. E234324	EAC

<sup>1</sup> ~ 5 min fixed switch-on duration

www.stego.de | www.stego.co.uk | www.stegonorden.se

### ACCESSORIES LED 021/022

Connectors and cables for electrical connection are not included in the delivery of the LED 021/022. These parts can be ordered separately. Sets, consisting of lamp and accessories, are available on request. Likewise, custom cables are available on request.

### LAMP-SET WITH FEMALE CONNECTOR

Varioline LED enclosure lamps are also available as a set including the connector Art. No. 264057. Simply add -0003 to the article number of the required lamp. For example: 02100.0-30-0003

### FEMALE / MALE CONNECTORS



Photo: Female connector, Art. No. 264057



Photo: Male connector, Art. No. 264058

Art. No.	Model	Voltage type	Color	Use for	Wire cross-section <sup>1</sup>	Approvals
264057	female connector	AC	white	power input	0,5-2,5 mm <sup>2</sup> (AWG 14-20)	VDE + UL
264058	male connector	AC	white	power output	0,5-2,5 mm <sup>2</sup> (AWG 14-20)	VDE + UL

<sup>1</sup> applies to rigid and stranded wire. Wire end ferrules must be used when connecting with stranded wires

### CONNECTION CABLE WITH FEMALE CONNECTOR AND OPEN END



Photo: Connection cable, Art. No. 244356

Art. No.	Model	Length	Voltage type	Color	Use for	Approvals <sup>2</sup>
244356	connection cable 2 x 1.5 mm <sup>2</sup> with female connector	2.0 m	AC	connector: white; cable: white	power input	VDE
244357	connection cable 2 x AWG 15 with female connector	2.0 m	AC	connector: white; cable: white	power input	VDE + UL

<sup>2</sup> applies only to the individual components (cable and connectors)

### EXTENSION CABLE WITH 2 CONNECTORS FOR DAISY CHAIN CONNECTION

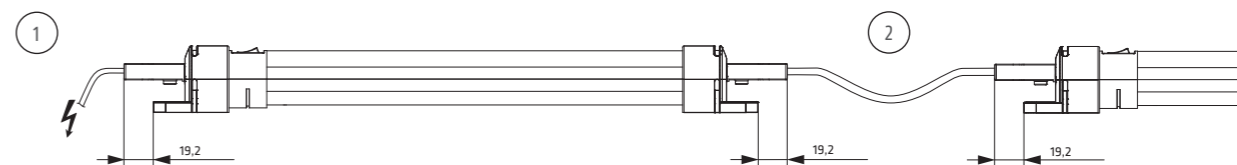


Photo: Extension cable, Art. No. 244358

Art. No.	Model	Length	Voltage type	Color	Use for	Approvals <sup>2</sup>
244358	extension cable 2 x 1.5 mm <sup>2</sup> with 2 connectors	1.0 m	AC	connectors: white; cable: white	daisy chain	VDE
244359	extension cable 2 x AWG 15 with 2 connectors	1.0 m	AC	connectors: white; cable: white	daisy chain	VDE + UL

<sup>2</sup> applies only to the individual components (cable and connectors)

### CONNECTION EXAMPLE



This illustration shows the LED 021/022 lamp in a daisy chain application. The lamps are conveniently connected via connection plugs - up to 8 lamps max. can be daisy-chained this way. The snap lock connectors ensure a stable electrical connection even if subjected to heavy vibration. The connection example shows a AC 230 V application, using the following cables: connection cable with female connector, Art. No. 244356 (1); daisy chain extension cable with 2 connectors, Art. No. 244358 (2).

Female/male connectors are also available to assemble cables in non-standard lengths.

20.10.2022 | Specifications are subject to change without notice. Errors and omissions excepted. Suitability of this product for its intended use and any associated risks must be determined by the end customer/buyer in its final application.

# LED ENCLOSURE LAMP

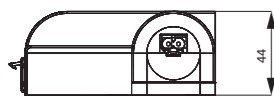
## LED 121/122

LED 121  
On/off switch and  
screw fixing

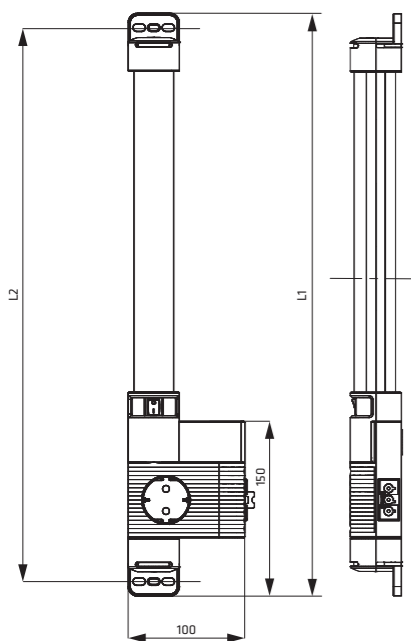
LED 122  
Movement sensor and  
magnet fixing



LED 121/122  
magnet/screw  
fixing



LED 121/122  
side view



LED 121 (Size 1)  
L1 = 500 mm  
L2 = 475 mm

LED 122 (Size 2)  
L1 = 700 mm  
L2 = 675 mm

- > High luminous flux
- > Integrated socket
- > Durable and maintenance free LED technology

- > Integrated power unit
- > Daisy chain
- > On/off switch, movement sensor or connection for external door switch

The LED 121/122 Varioline is a powerful and compact LED lamp with integrated socket for use in enclosures. Featuring socket standards of many European countries as well as the US and Australia, it allows for the power connection of laptops and diagnostic devices. Its LED tube emits more than 1,000/1,700 Lm thereby illuminating even very large enclosures in their full depth and height. The glare-free, 120° rotatable light tube uses Mid-power LEDs with a service life of 60,000 h.



### TECHNICAL DATA

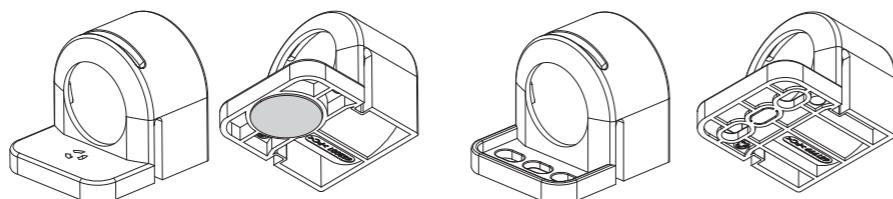
Power consumption	< 10 W/15 W
Operating voltage	AC 220 - 240 V, 50/60 Hz (min. AC 200 V, max. AC 265 V) AC 120 V, 50/60 Hz (min. AC 110 V, max. AC 130 V)
Luminous flux	1,080 Lm/1,730 Lm
Lamp type	LED, angle of radiation 120° light color: daylight, color temperature: 6,500 K
Service life	60,000 h at +20 °C (+68 °F)
Connection	3-pole connector with snap lock AC: max. 16 A / AC 240 V, color: white
Mounting	magnet fixing or screw fixing (M5), torque 2 Nm max.
Casing	plastic, translucent
Dimensions	see drawings
Weight	~ 0.3 kg/0.4 kg
Operating/Storage temperature	-40 to +40 °C (-40 to +104 °F) / -40 to +85 °C (-40 to +185 °F)
Operation/Storage humidity	< 90 % RH (non-condensing)
Protection type/Protection class	IP20 / I (earthed)
Energy efficiency class	F

**Mounting options:** The lamps are available with magnet fixing for easy positioning in any steel cabinet or enclosure. A classic is the LED 121/122 with screw fixing. With a total rotation angle of 120° it provides perfect illumination.

**Note:** The lamp must not be used for household lighting.

View of magnet fixing

View of screw fixing



### VARIOLINE LED 121/122 ON/OFF SWITCH

Size 1: L1 = 500 mm		Size 2: L1 = 700 mm		Operating voltage	Socket	Nominal current of socket	Approvals		
Art. No. Magnet fixing	Art. No. Screw fixing	Art. No. Magnet fixing	Art. No. Screw fixing						
12100.0-30	12100.0-00	12200.0-30	12200.0-00	AC 220 - 240 V, 50/60 Hz	Germany/Russia (1)	16.0 A	VDE	-	EAC
12101.0-30	12101.0-00	12201.0-30	12201.0-00	AC 220 - 240 V, 50/60 Hz	FR/PL/CZ/SK (2)	16.0 A	VDE	-	EAC
12102.0-30	12102.0-00	12202.0-30	12202.0-00	AC 220 - 240 V, 50/60 Hz	Switzerland (3)	10.0 A	-	-	EAC
12103.0-30	12103.0-00	12203.0-30	12203.0-00	AC 220 - 240 V, 50/60 Hz	UK/Ireland (4)	13.0 A	VDE	-	EAC
12104.0-30	12104.0-00	12204.0-30	12204.0-00	AC 120 V, 50/60 Hz	USA/Canada (5)	15.0 A	-	UL File No. E234324	EAC
12105.0-30	12105.0-00	12205.0-30	12205.0-00	AC 220 - 240 V, 50/60 Hz	Italy (6)	16.0 A	VDE	-	EAC
12107.0-30	12107.0-00	12207.0-30	12207.0-00	AC 220 - 240 V, 50/60 Hz	Australia (7)	10.0 A	VDE	-	EAC

### VARIOLINE LED 121/122 PIR MOVEMENT SENSOR<sup>1</sup>

Size 1: L1 = 500 mm		Size 2: L1 = 700 mm		Operating voltage	Socket	Nominal current of socket	Approvals		
Art. No. Magnet fixing	Art. No. Screw fixing	Art. No. Magnet fixing	Art. No. Screw fixing						
12110.0-30	12110.0-00	12210.0-30	12210.0-00	AC 220 - 240 V, 50/60 Hz	Germany/Russia (1)	16.0 A	VDE	-	EAC
12111.0-30	12111.0-00	12211.0-30	12211.0-00	AC 220 - 240 V, 50/60 Hz	FR/PL/CZ/SK (2)	16.0 A	VDE	-	EAC
12112.0-30	12112.0-00	12212.0-30	12212.0-00	AC 220 - 240 V, 50/60 Hz	Switzerland (3)	10.0 A	-	-	EAC
12113.0-30	12113.0-00	12213.0-30	12213.0-00	AC 220 - 240 V, 50/60 Hz	UK/Ireland (4)	13.0 A	VDE	-	EAC
12114.0-30	12114.0-00	12214.0-30	12214.0-00	AC 120 V, 50/60 Hz	USA/Canada (5)	15.0 A	-	UL File No. E234324	EAC
12115.0-30	12115.0-00	12215.0-30	12215.0-00	AC 220 - 240 V, 50/60 Hz	Italy (6)	16.0 A	VDE	-	EAC
12117.0-30	12117.0-00	12217.0-30	12217.0-00	AC 220 - 240 V, 50/60 Hz	Australia (7)	10.0 A	VDE	-	EAC

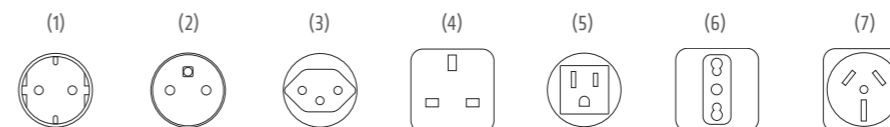
<sup>1</sup> ~ 5 min fixed switch-on duration

### VARIOLINE LED 121/122 WITH CONNECTION FOR EXTERNAL DOOR SWITCH

Size 1: L1 = 500 mm		Size 2: L1 = 700 mm		Operating voltage	Socket	Nominal current of socket	Approvals		
Art. No. Magnet fixing	Art. No. Screw fixing	Art. No. Magnet fixing	Art. No. Screw fixing						
12120.0-30	12120.0-00	12220.0-30	12220.0-00	AC 220 - 240 V, 50/60 Hz	Germany/Russia (1)	16.0 A	VDE	-	EAC
12121.0-30	12121.0-00	12221.0-30	12221.0-00	AC 220 - 240 V, 50/60 Hz	FR/PL/CZ/SK (2)	16.0 A	VDE	-	EAC
12122.0-30	12122.0-00	12222.0-30	12222.0-00	AC 220 - 240 V, 50/60 Hz	Switzerland (3)	10.0 A	-	-	EAC
12123.0-30	12123.0-00	12223.0-30	12223.0-00	AC 220 - 240 V, 50/60 Hz	UK/Ireland (4)	13.0 A	VDE	-	EAC
12124.0-30	12124.0-00	12224.0-30	12224.0-00	AC 120 V, 50/60 Hz	USA/Canada (5)	15.0 A	-	UL File No. E234324	EAC
12125.0-30	12125.0-00	12225.0-30	12225.0-00	AC 220 - 240 V, 50/60 Hz	Italy (6)	16.0 A	VDE	-	EAC
12127.0-30	12127.0-00	12227.0-30	12227.0-00	AC 220 - 240 V, 50/60 Hz	Australia (7)	10.0 A	VDE	-	EAC

### VARIOLINE LED 121/122 WITHOUT SWITCHING OPTION

Size 1: L1 = 500 mm		Size 2: L1 = 700 mm		Operating voltage	Socket	Nominal current of socket	Approvals		
Art. No. Magnet fixing	Art. No. Screw fixing	Art. No. Magnet fixing	Art. No. Screw fixing						
12130.0-30	12130.0-00	12230.0-30	12230.0-00	AC 220 - 240 V, 50/60 Hz	Germany/Russia (1)	16.0 A	VDE	-	EAC
12131.0-30	12131.0-00	12231.0-30	12231.0-00	AC 220 - 240 V, 50/60 Hz	FR/PL/CZ/SK (2)	16.0 A	VDE	-	EAC
12132.0-30	12132.0-00	12232.0-30	12232.0-00	AC 220 - 240 V, 50/60 Hz	Switzerland (3)	10.0 A	-	-	EAC
12133.0-30	12133.0-00	12233.0-30	12233.0-00	AC 220 - 240 V, 50/60 Hz	UK/Ireland (4)	13.0 A	VDE	-	EAC
12134.0-30	12134.0-00	12234.0-30	12234.0-00	AC 120 V, 50/60 Hz	USA/Canada (5)	15.0 A	-	UL File No. E234324	EAC
12135.0-30	12135.0-00	12235.0-30	12235.0-00	AC 220 - 240 V, 50/60 Hz	Italy (6)	16.0 A	VDE	-	EAC
12137.0-30	12137.0-00	12237.0-30	12237.0-00	AC 220 - 240 V, 50/60 Hz	Australia (7)	10.0 A	VDE	-	EAC



20.10.2021 | Specifications are subject to change without notice. Errors and omissions excepted. Suitability of this product for its intended use and any associated risks must be determined by the end customer/buyer in its final application. www.stego.de | www.stego.co.uk | www.stegonorden.se

20.10.2021 | Specifications are subject to change without notice. Errors and omissions excepted. Suitability of this product for its intended use and any associated risks must be determined by the end customer/buyer in its final application. www.stego.de | www.stego.co.uk | www.stegonorden.se

ACCESSORIES LED 121/122

Connectors and cables for electrical connection are not included in the delivery of the LED 121/122. These parts can be ordered separately. Sets, consisting of lamp and accessories, are available on request. Likewise, custom cables are available on request.

LAMP-SET WITH FEMALE CONNECTOR

Varioline LED enclosure lamps are also available as a set including the connector Art. No. 264093. Simply add -0003 to the article number of the required lamp. For example: 12100.0-30-0003. Sets for lamps with external door switch contain in addition the male connector 264090.

FEMALE / MALE CONNECTORS



Art. No.	Model	Voltage type	Color	Use for	Wire cross-section <sup>1</sup>	Approvals
264093	female connector	AC	white	power input and daisy chain	0,75-2,5 mm <sup>2</sup> (AWG 14-18)	VDE + UL
264091	female connector	AC	white	power input	0,75-2,5 mm <sup>2</sup> (AWG 14-18)	VDE + UL
264090	male connector	AC	grey	door switch	0,5-2,5 mm <sup>2</sup> (AWG 14-20)	VDE + UL

<sup>1</sup> applies to rigid and stranded wire. Wire end ferrules must be used when connecting with stranded wires

CONNECTION CABLE WITH FEMALE CONNECTOR AND OPEN END



Art. No.	Model	Length	Color	Use for	Approvals <sup>2</sup>
244422	connection cable 3 x 1.5 mm <sup>2</sup> with female connector	4.0 m	connector: white; cable: white	power input	VDE
244423	connection cable 3 x AWG 16 with female connector	4.0 m	connector: white; cable: white	power input	VDE + UL

<sup>2</sup> applies only to the individual components (cable and connectors)

EXTENSION CABLE WITH 2 CONNECTORS FOR DAISY CHAIN CONNECTION



Art. No.	Model	Length	Color	Use for	Approvals <sup>2</sup>
244358	extension cable 2 x 1.5 mm <sup>2</sup> with 2 connectors	1.0 m	connectors: white; cable: white	daisy chain	VDE
244359	extension cable 2 x AWG 15 with 2 connectors	1.0 m	connectors: white; cable: white	daisy chain	VDE + UL

<sup>2</sup> applies only to the individual components (cable and connectors)

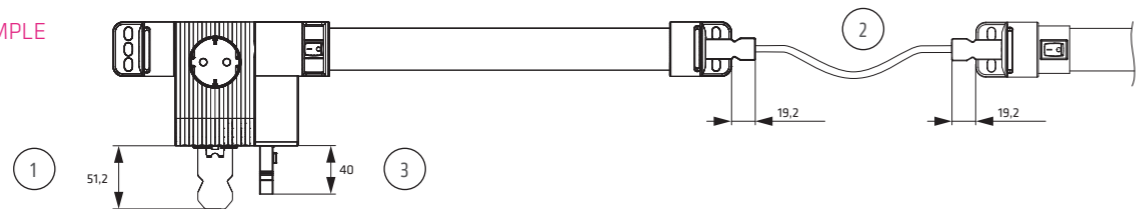
CONNECTION CABLE WITH MALE CONNECTOR AND OPEN END



Art. No.	Model	Length	Color	Use for	Approvals <sup>2</sup>
244424	connection cable 2 x 1.5 mm <sup>2</sup> with male connector	0.6 m	male connector: grey; cable: white	power output	VDE
244425	connection cable 2 x AWG 15 with male connector	0.6 m	male connector: grey; cable: white	power output	VDE + UL

<sup>2</sup> applies only to the individual components (cable and connectors)

CONNECTION EXAMPLE



The lamps are conveniently connected via connection plugs - up to 8 lamps max. can be daisy-chained this way. Female/male connectors are also available to assemble cables in non-standard lengths.

LED ENCLOSURE LAMP

LED 025 | ECOLINE



- > Wide voltage range
- > Integrated power unit
- > Dual pressure connection clamp
- > Daisy chain
- > Magnet, screw or clip fixing
- > Long-lived and maintenance-free by LED technology

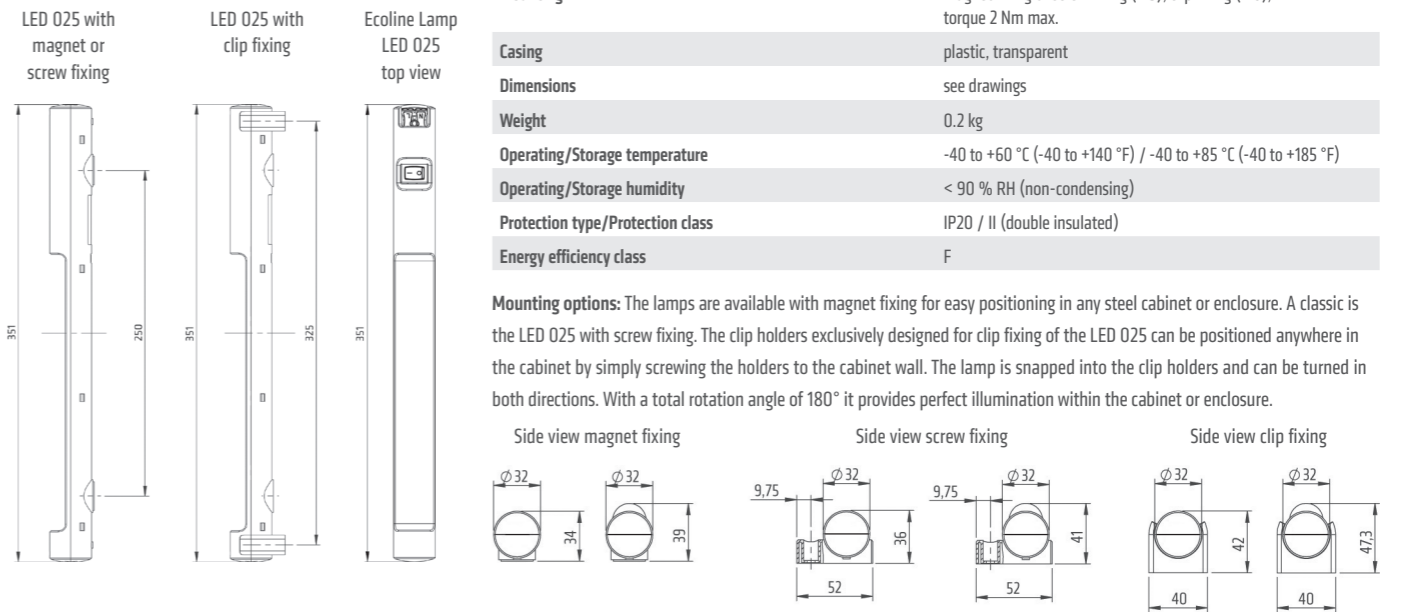
The lamp series LED 025 is suitable for all types of panels and enclosures, especially where space is at a premium. The lamps have a very long service life thanks to the use of LED technology. Three different fixing options provide more flexibility for installation. The Ecoline series is a simplified version of the standard LED 025 lamp and has a dual pressure clamp for connection instead of connectors. Nonetheless it is suitable for daisy-chaining and allows for up to 10 lamps to be connected to each other.



TECHNICAL DATA

Power consumption	< 4 W
Luminous flux	400 Lm at 120°
Lamp type	LED, angle of radiation 120° light color: daylight, color temperature: 6,000 K to 7,000 K
Service life	60,000 h at +20 °C (+68 °F)
Connection	2-pole dual pressure clamp for rigid wire 2.5 mm <sup>2</sup> , stranded wire (with wire end ferrule) 1.5 mm <sup>2</sup>
Mounting	magnet fixing or screw fixing (M5), clip fixing (M6), torque 2 Nm max.
Casing	plastic, transparent
Dimensions	see drawings
Weight	0.2 kg
Operating/Storage temperature	-40 to +60 °C (-40 to +140 °F) / -40 to +85 °C (-40 to +185 °F)
Operating/Storage humidity	< 90 % RH (non-condensing)
Protection type/Protection class	IP20 / II (double insulated)
Energy efficiency class	F

**Mounting options:** The lamps are available with magnet fixing for easy positioning in any steel cabinet or enclosure. A classic is the LED 025 with screw fixing. The clip holders exclusively designed for clip fixing of the LED 025 can be positioned anywhere in the cabinet by simply screwing the holders to the cabinet wall. The lamp is snapped into the clip holders and can be turned in both directions. With a total rotation angle of 180° it provides perfect illumination within the cabinet or enclosure.



Art. No. Magnet fixing	Art. No. Screw fixing	Art. No. Clip fixing	Operating voltage	Switch	Approvals
02540.3-10	02540.3-11	02540.3-13	AC 100 – 240 V, 50/60 Hz (min. AC 90 V, max. AC 265 V) DC 90 – 110 V (min. DC 80 V, max. DC 125 V)	on/off light switch	VDE (REG.-Nr. E788) <sup>1</sup>   UL File No. E234324   CCC   EAC
02541.3-10	02541.3-11	02541.3-13	AC 100 – 240 V, 50/60 Hz (min. AC 90 V, max. AC 265 V) DC 90 – 110 V (min. DC 80 V, max. DC 125 V)	PIR movement sensor <sup>2</sup>	VDE (REG.-Nr. E788) <sup>1</sup>   UL File No. E234324   CCC   EAC
02542.3-10	02542.3-11	02542.3-13	AC 100 – 240 V, 50/60 Hz (min. AC 90 V, max. AC 265 V) DC 90 – 110 V (min. DC 80 V, max. DC 125 V)	N/A	VDE (REG.-Nr. E788) <sup>1</sup>   UL File No. E234324   CCC   EAC
02540.1-10	02540.1-11	02540.1-13	DC 24 – 48 V (min. DC 20 V, max. DC 60 V)	on/off light switch	VDE (REG.-Nr. E788) <sup>1</sup>   UL File No. E234324   CCC   EAC
02541.1-10	02541.1-11	02541.1-13	DC 24 – 48 V (min. DC 20 V, max. DC 60 V)	PIR movement sensor <sup>2</sup>	VDE (REG.-Nr. E788) <sup>1</sup>   UL File No. E234324   CCC   EAC
02542.1-10	02542.1-11	02542.1-13	DC 24 – 48 V (min. DC 20 V, max. DC 60 V)	N/A	VDE (REG.-Nr. E788) <sup>1</sup>   UL File No. E234324   CCC   EAC

<sup>1</sup> VDE Certificate of Conformity (REG.-Nr. E788); <sup>2</sup> ~ 5 min fixed switch-on duration

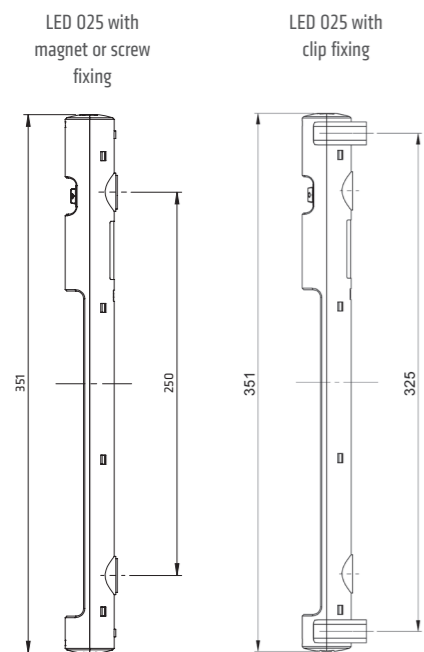
**Note:** The lamp must not be used for household lighting.

www.stego.de | www.stego.co.uk | www.stegonorden.se  
20.10.2022 | Specifications are subject to change without notice. Errors and omissions excepted. Suitability of this product for its intended use and any associated risks must be determined by the end customer/buyer in its final application.

www.stego.de | www.stego.co.uk | www.stegonorden.se  
20.10.2022 | Specifications are subject to change without notice. Errors and omissions excepted. Suitability of this product for its intended use and any associated risks must be determined by the end customer/buyer in its final application.

# LED ENCLOSURE LAMP

## LED 025



- > Wide voltage range
- > Integrated power unit
- > Long-lived and maintenance-free by LED technology
- > Daisy chain
- > On/off switch or movement sensor
- > Magnet, screw or clip fixing

The lamp series LED 025 is suitable for all types of panels and enclosures, especially where space is at a premium. The lamps have a very long service life thanks to the use of LED technology. Three different fixing options provide more flexibility for installation. The power output allows up to 10 lamps to be connected to each other. Both the power input and output connectors snap lock into their sockets. With the integrated power unit and the plugs the lamp can quickly be connected.

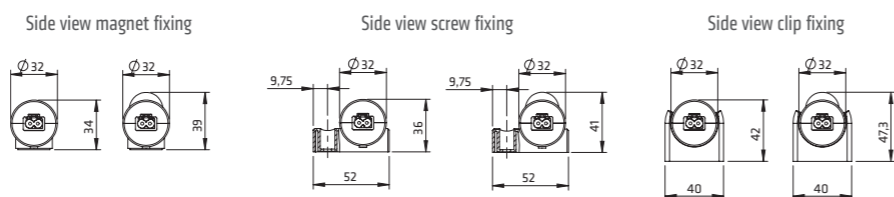


### TECHNICAL DATA

Power consumption	< 4 W
Luminous flux	400 Lm at 120°
Lamp type	LED, angle of radiation 120° light color: daylight, color temperature: 6,000 K to 7,000 K
Service life	60,000 h at +20 °C (+68 °F)
Connection	2-pole connector with snap lock AC: max. 2.5 A / AC 240 V, color: white DC: max. 2.5 A / DC 60 V, color: blue
Mounting	magnet fixing or screw fixing (M5), clip fixing (M6), torque 2 Nm max.
Casing	plastic, transparent
Dimensions	see drawings
Weight	0.2 kg
Operating/Storage temperature	-40 to +60 °C (-40 to +140 °F) / -40 to +85 °C (-40 to +185 °F)
Operating/Storage humidity	< 90 % RH (non-condensing)
Protection type/Protection class	IP20 / II (double insulated), DC 12 V: IP20 / III (extra-low voltage)
Energy efficiency class	F

**Mounting options:** The lamps are available with magnet fixing for easy positioning in any steel cabinet or enclosure. A classic is the LED 025 with screw fixing. The clip holders exclusively designed for clip fixing of the LED 025 can be positioned anywhere in the cabinet by simply screwing the holders to the cabinet wall. The lamp is snapped into the clip holders and can be turned in both directions. With a total rotation angle of 180° it provides perfect illumination within the cabinet or enclosure.

**Note:** The lamp must not be used for household lighting.



Art. No. Magnet fixing	Art. No. Screw fixing	Art. No. Clip fixing	Operating voltage	Switch	Approvals
02540.0-00	02540.0-01	02540.0-03	AC 100 – 240 V, 50/60 Hz (min. AC 90 V, max. AC 265 V)	on/off light switch	VDE UL File No. E234324 CCC EAC
02540.1-00	02540.1-01	02540.1-03	DC 24 – 48 V (min. DC 20 V, max. DC 60 V)	on/off light switch	VDE UL File No. E234324 CCC EAC
02541.0-00	02541.0-01	02541.0-03	AC 100 – 240 V, 50/60 Hz (min. AC 90 V, max. AC 265 V)	PIR movement sensor <sup>1</sup>	VDE UL File No. E234324 CCC EAC
02541.1-00	02541.1-01	02541.1-03	DC 24 – 48 V (min. DC 20 V, max. DC 60 V)	PIR movement sensor <sup>1</sup>	VDE UL File No. E234324 CCC EAC

<sup>1</sup> ~ 5 min fixed switch-on duration

www.stego.de | www.stego.co.uk | www.stegonorden.se

### ACCESSORIES

Connectors and cables for electrical connection are not included in the delivery of the LED 025. These parts can be ordered separately. Sets, consisting of lamp and accessories, are available on request.

#### CONNECTION CABLE WITH FEMALE CONNECTOR AND OPEN END



Photo: Connection cable, Art. No. 244356

Art. No.	Model	Length	Voltage type	Color	Use for	Approvals <sup>2</sup>
244356	connection cable 2 x 1.5 mm <sup>2</sup> with female connector	2.0 m	AC	connector: white; cable: white	power input	VDE
244357	connection cable 2 x AWG 15 with female connector	2.0 m	AC	connector: white; cable: white	power input	VDE + UL
244360	connection cable 2 x 0.75 mm <sup>2</sup> with female connector	2.0 m	DC 24 – 48 V	connector: blue; cable: white	power input	VDE
244361	connection cable 2 x AWG 15 with female connector	2.0 m	DC 24 – 48 V	connector: blue; cable: white	power input	VDE + UL

<sup>2</sup> applies only to the individual components (cable and connectors)

#### EXTENSION CABLE WITH 2 CONNECTORS FOR DAISY CHAIN CONNECTION



Photo: Extension cable, Art. No. 244358

Art. No.	Model	Length	Voltage type	Color	Use for	Approvals <sup>2</sup>
244358	extension cable 2 x 1.5 mm <sup>2</sup> with 2 connectors	1.0 m	AC	connectors: white; cable: white	daisy chain	VDE
244359	extension cable 2 x AWG 15 with 2 connectors	1.0 m	AC	connectors: white; cable: white	daisy chain	VDE + UL
244362	extension cable 2 x 1.5 mm <sup>2</sup> with 2 connectors	1.0 m	DC 24 – 48 V	connectors: blue; cable: white	daisy chain	VDE
244363	extension cable 2 x AWG 15 with 2 connectors	1.0 m	DC 24 – 48 V	connectors: blue; cable: white	daisy chain	VDE + UL

<sup>2</sup> applies only to the individual components (cable and connectors)

#### FEMALE / MALE CONNECTORS



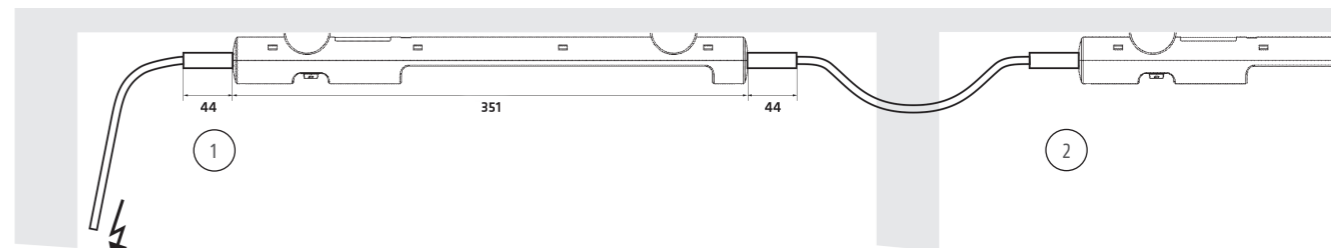
Photo: Female connector, Art. No. 264057

Photo: Male connector, Art. No. 264058

Art. No.	Model	Voltage type	Color	Use for	Wire cross-section <sup>3</sup>	Approvals
264057	female connector	AC	white	power input	0.5-2.5 mm <sup>2</sup> (AWG 14-20)	VDE + UL
264058	male connector	AC	white	power output	0.5-2.5 mm <sup>2</sup> (AWG 14-20)	VDE + UL
264059	female connector	DC 24 – 48 V	blue	power input	0.5-2.5 mm <sup>2</sup> (AWG 14-20)	VDE + UL
264060	male connector	DC 24 – 48 V	blue	power output	0.5-2.5 mm <sup>2</sup> (AWG 14-20)	VDE + UL

<sup>3</sup> applies to rigid and stranded wire. Wire end ferrules must be used when connecting with stranded wires.

#### CONNECTION EXAMPLE



This illustration shows the LED 025 lamp in a daisy chain application. The lamps are conveniently connected via quick connection plugs – up to 10 lamps max. can be daisy-chained this way. The snap lock connectors ensure a stable electrical connection even if subjected to heavy vibration. The connection example shows a AC 230 V application, using the following cables: connection cable with female connector, Art. No. 244356 (1); daisy chain extension cable with 2 connectors, Art. No. 244358 (2).

Female/male connectors are also available to assemble cables in non-standard lengths.

20.10.2022 | Specifications are subject to change without notice. Errors and omissions excepted. Suitability of this product for its intended use and any associated risks must be determined by the end customer/buyer in its final application.

# ENCLOSURE LAMP WITH ENERGY-SAVING BULB

SL 025 | ON/OFF SWITCH



Photo: Slimline lamp with on/off switch, with integrated electric socket (Germany), Art. No. 02520.0-00

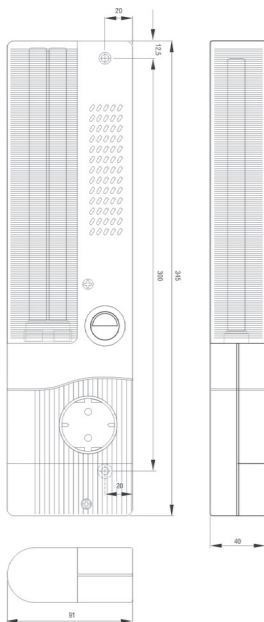
- > Slim casing
- > Electronic ballast
- > Lamp without/with electrical socket (choice of sockets)
- > Magnet fixing (option)
- > Energy saving lamp
- > On/Off switch

The flat slimline lamp SL 025 is suitable for all types of panels and enclosures, especially where space is at a premium. The lamp can be mounted on its narrow or broad surface using screws. It is also available with a magnet which allows it to be fitted quickly in any position in a steel enclosure. Both versions are available with an integrated electrical socket enabling the use of additional appliances.



### TECHNICAL DATA

Power consumption	9 W
Luminosity	510 Lm (equals 45 W light bulb)
Lamp type	energy saving lamp, 2G7 socket
Service life	10,000 h
Switch	on/off light switch
Connection	terminal 2.5 mm <sup>2</sup> with cable clamp, torque 0.8 Nm max.
Mounting	screw fixing, M5, 300 mm centers magnet fixing (optional)
Casing	plastic according to UL94 V-0, light grey
Dimensions	345 x 91 x 40 mm
Fitting position	narrow surface/broad surface
Operating/Storage temperature	-20 to +50 °C (-4 to +122 °F) / -45 to +70 °C (-49 to +158 °F)
Operating/Storage humidity	< 90 % RH (non-condensing)
Protection type	IP20
Energy efficiency class	G



Art. No.	Model	Operating voltage	Socket	Nominal current	Weight (approx.)	Protection class	Approvals
02520.0-00	without magnet	AC 230 V, 50/60 Hz	Germany/Russia (1)	16.0 A	0.4 kg	I (earthed)	VDE - EAC
02520.1-01	with magnet	AC 230 V, 50/60 Hz	Germany/Russia (1)	16.0 A	0.5 kg	I (earthed)	VDE - EAC
02521.1-04	with magnet	AC 230 V, 50/60 Hz	F/PL/CZ/SK (2)	16.0 A	0.5 kg	I (earthed)	VDE - EAC
02523.1-05	with magnet	AC 230 V, 50/60 Hz	UK/Ireland (4)	13.0 A	0.5 kg	I (earthed)	VDE - EAC
02527.0-00	without magnet	AC 230 V, 50/60 Hz	none	-	0.4 kg	II (double insulated)	VDE UL File No. E234324 EAC
02527.1-14	with magnet	AC 230 V, 50/60 Hz	none	-	0.5 kg	II (double insulated)	VDE - EAC

Note: The slimline lamp SL 025 is also available with a 19" front panel.

# ENCLOSURE LAMP WITH ENERGY-SAVING BULB

SL 025 | MOVEMENT SENSOR



Photo: Slimline lamp with movement sensor and with integrated electric socket (Germany), Art. No. 02520.0-00

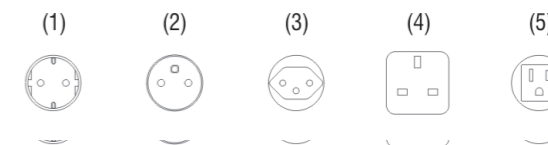
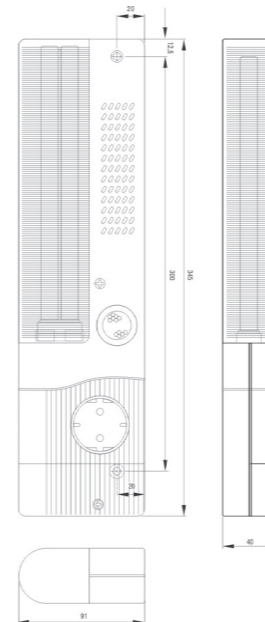
- > Slim casing
- > Electronic ballast
- > Lamp without/with electrical socket (choice of sockets)
- > Magnet fixing (option)
- > Energy saving lamp
- > Automatic switching

The flat slimline lamp SL 025 with movement sensor is suitable for all types of panels and enclosures, especially where space is at a premium. The lamp can be mounted on its narrow or broad surface using screws. It is also available with a magnet which allows it to be fitted quickly in any position in a steel enclosure. Both versions are available with an integrated electrical socket enabling the use of additional appliances. The movement sensor substitutes a door contact switch.



### TECHNICAL DATA

Power consumption	9 W
Luminosity	510 Lm (equals 45 W light bulb)
Lamp type	energy saving lamp, 2G7 socket
Service life	10,000 h
Switch	PIR movement sensor, approx. 6 min fixed switch-on duration
Connection	terminal 2.5 mm <sup>2</sup> with cable clamp, torque 0.8 Nm max.
Mounting	screw fixing, M5, 300 mm centers, magnet fixing (optional)
Casing	plastic according to UL94 V-0, light grey
Dimensions	345 x 91 x 40 mm
Fitting position	narrow surface/broad surface
Operating/Storage temperature	-20 to +50 °C (-4 to +122 °F) / -45 to +70 °C (-49 to +158 °F)
Operating/Storage humidity	< 90 % RH (non-condensing)
Protection type	IP20
Energy efficiency class	G



The PIR movement sensor switches the lighting on when the enclosure door is opened. The switch-on time is reset with every further registered movement. The movement sensor does not react to movement on the other side of glass and so can be used in enclosures with glass doors.

Art. No.	Model	Operating voltage	Socket	Nominal current	Weight (approx.)	Protection class	Approvals
02520.0-03	without magnet	AC 230 V, 50/60 Hz	Germany/Russia (1)	16.0 A	0.4 kg	I (earthed)	VDE - EAC
02520.1-04	with magnet	AC 230 V, 50/60 Hz	Germany/Russia (1)	16.0 A	0.5 kg	I (earthed)	VDE - EAC
02521.0-03	without magnet	AC 230 V, 50/60 Hz	F/PL/CZ/SK (2)	16.0 A	0.4 kg	I (earthed)	VDE - EAC
02527.0-04	without magnet	AC 230 V, 50/60 Hz	none	-	0.4 kg	II (double insulated)	VDE UL File No. E234324 EAC
02527.1-15	with magnet	AC 230 V, 50/60 Hz	none	-	0.5 kg	II (double insulated)	VDE - EAC
02527.1-17	with magnet	AC 120 V, 50/60 Hz	none	-	0.5 kg	II (double insulated)	- UL File No. E234324 EAC

Note: The slimline lamp SL 025 is also available with a 19" front panel.

20.10.2022 | Specifications are subject to change without notice. Errors and omissions excepted. Suitability of this product for its intended use and any associated risks must be determined by the end customer/buyer in its final application. www.stego.de | www.stego.co.uk | www.stegonorden.se

20.10.2022 | Specifications are subject to change without notice. Errors and omissions excepted. Suitability of this product for its intended use and any associated risks must be determined by the end customer/buyer in its final application. www.stego.de | www.stego.co.uk | www.stegonorden.se



## ELECTRICAL SOCKET

## SD 035



- > Quickly connected
- > Available with or without fuse

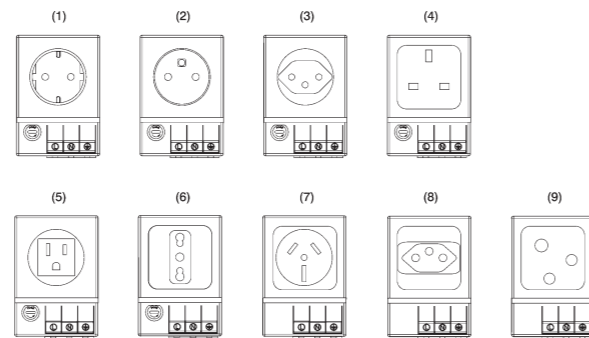
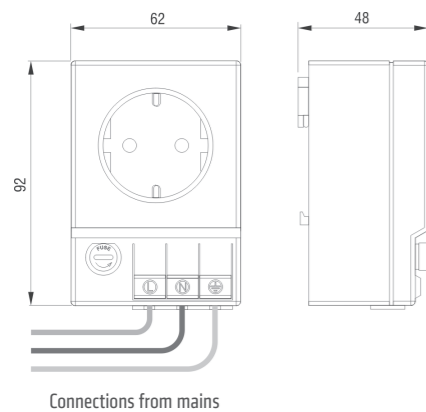
- > Clip fixing

The DIN rail mounted electrical socket can be quickly fitted and connected in enclosures allowing the use of auxiliary products such as hand lamps, measuring devices, soldering irons etc. The unit is available with and without fuse and in many world socket standards.



## TECHNICAL DATA

Connection	3 x pressure clamps for stranded and rigid wire 0.5 – 2.5 mm <sup>2</sup>
Mounting	clip for 35 mm DIN rail, EN 60715
Casing	plastic according to UL94 V-0, light grey
Dimensions	92 x 62 x 48 mm
Weight	~ 0.2 kg
Fitting position	variable
Operating/Storage temperature	-45 to +70 °C (-49 to +158 °F)
Operating/Storage humidity	< 90 % RH (non-condensing)
Protection type/Protection class	IP20 / I (earthed)



Art. No.	Operating voltage max.	Socket	Model	Nominal current	Approvals
03500.0-00	AC 250 V	Germany/Russia (1)	with fuse <sup>1</sup>	6.3 A	EAC
03500.0-01	AC 250 V	Germany/Russia (1)	without fuse	16.0 A	EAC
03501.0-00	AC 250 V	F/PL/CZ/SK (2)	with fuse <sup>1</sup>	6.3 A	-
03501.0-01	AC 250 V	F/PL/CZ/SK (2)	without fuse	16.0 A	-
03502.0-00	AC 250 V	Switzerland (3)	with fuse <sup>1</sup>	6.3 A	-
03502.0-01	AC 250 V	Switzerland (3)	without fuse	10.0 A	-
03503.0-00	AC 250 V	UK/Ireland (4)	with fuse <sup>1</sup>	6.3 A	-
03503.0-01	AC 250 V	UK/Ireland (4)	without fuse	13.0 A	-
03504.0-00	AC 125 V	USA/Canada (5)	with fuse <sup>1</sup>	6.3 A	UL File No. E222026
03504.0-01	AC 125 V	USA/Canada (5)	without fuse	15.0 A	UL File No. E222026
03505.0-00	AC 250 V	Italy (6)	with fuse <sup>1</sup>	6.3 A	-
03505.0-01	AC 250 V	Italy (6)	without fuse	16.0 A	-
03507.0-01	AC 240 V	Australia (7)	without fuse	10.0 A	-
03508.0-01	AC 250 V	Brazil (8)	without fuse	10.0 A	-
03509.0-01	AC 250 V	Old British – BS 546 (9)	without fuse	5.0 A	-

<sup>1</sup> fuse Ø 5 x 20 mm

## PRESSURE COMPENSATION DEVICE

## DA 084 | IP55



Photo: Inside view

- > High degree of protection

- > Easy to install

It has become more and more important to provide a protected enclosure environment for valuable and crucial electrical and electronic components. In a tightly closed enclosure, pressure differentials can occur during extreme temperature variations. The specially designed pressure compensation device DA 084 permits a controlled change in pressure and avoids the entering of dust and water. The pressure compensation device is suitable for the use in enclosures and housings in accordance with DIN EN 62208.

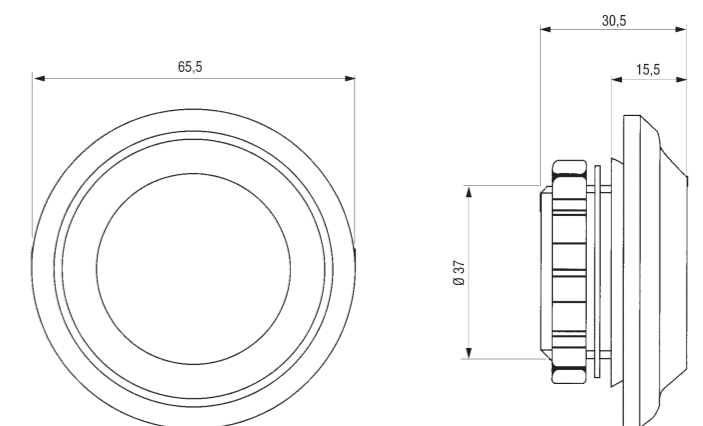


## TECHNICAL DATA

Mounting	PG 29 thread with union nut
Torque	5 Nm
Material	plastic according to UL94 V-0, light grey weather proof and UV light resistant according to UL746C (f1)
Sealing	sealing gasket NBR
Air interface	~ 1.5 cm <sup>2</sup>
Dimensions	Ø 65.5 x 30.5 mm
Fitting position	vertical <sup>1</sup>
Operating/Storage temperature	-45 to +70 °C (-49 to +158 °F)
Approvals	EAC
Note	Material adheres to limit values in accordance with RoHS3

<sup>1</sup> Protection type is restricted to IP54 if fitting position of DA 084 is not vertical.

**Installation:** Make cut-out Ø 37<sup>1</sup> mm in enclosure wall and mount pressure compensation device with nut. Please make sure that the sealing gasket is put in place on the outer side panel of the enclosure. For optimal pressure compensation we recommend to use two devices on opposite sides towards the top of the enclosure.



Art. No.	Protection type	1 packing unit	Weight (approx.)
08400.0-03	IP55	2 pieces	62 g (31 g / piece)

## PRESSURE COMPENSATION DEVICE SNAP-IN

DA 284 | IP66



Photo: Inside view

> High degree of protection  
> Waterproof membrane

> Easy to install  
due to snap-in action

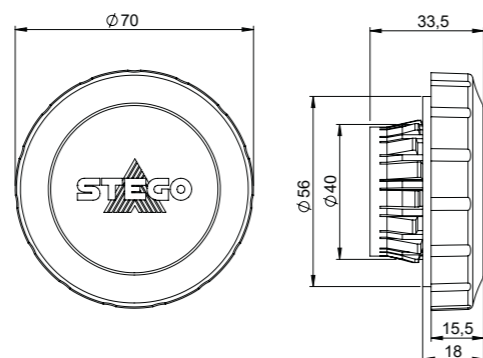
In enclosures and housings with a high protection class, differential pressure happens due to internal and external temperature changes. In the event of negative pressure, dust and humidity can be drawn into the enclosure through the seals on the doors. This can cause condensation when the air in the enclosure cools down. The easy-to-fit DA 284 pressure compensation device enables pressure compensation with protection class IP66 (M12: IP66/IP68). Additionally, the watertight membrane inside the pressure compensation device allows humidity to escape from the cabinet at overpressure, while preventing water, humidity or dirt intrusion at under pressure.



### TECHNICAL DATA

Mounting	Snap-In, mounting from outer side
Wall thickness	1 to 4 mm
Depth in enclosure	approx. 15 mm, according to wall thickness
Sealing	sealing gasket EPDM
Filter	waterproof membrane
Dimensions	Ø 70 x 33,5 mm
Fitting position	variable
Accessories	Disassembly tool, Art. No. 283038
Note	Material adheres to limit values in accordance with RoHS3

**Installation:** Make cut-out Ø 40+0,5 mm in enclosure wall for size M40. Attach pressure compensation element from the outer side of the enclosure (housing). Make sure that the hole is round and free of burrs. The sealing ring must be mounted on the outer side of the housing wall. Apply sufficient pressure so the five snap-in hooks fully engage. Snap-in pressure is easily adaptable to wall thickness of the enclosure.



Art. No.	Material	Protection type	Air permeability <sup>1</sup>	Operating/Storage temperature	packing unit	Weight (approx.)	Approvals
28420.0-00	plastic according to UL94 V-0, light grey; weather proof and UV light resistant according to UL746C (f1)	IP66 (EN 60529) / IPX9K (EN 40050-9)	2000 l/h	-35 to +70 °C (-31 to +158 °F)	1 piece	45 g	UL E234324 EAC

<sup>1</sup> at a pressure difference of min. 70 mbar

## PRESSURE COMPENSATION DEVICE

DA 284 | IP66 / IP67



Photo: DA 284, M40



Photo: DA 284, M12

> High degree of protection  
> Waterproof membrane

> Easy to install

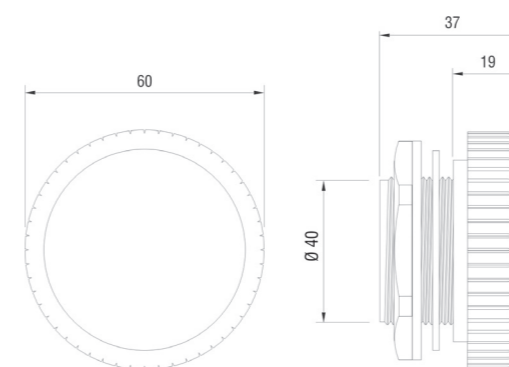
In enclosures and housings with a high protection class, differential pressure happens due to internal and external temperature changes. In the event of negative pressure, dust and humidity can be drawn into the enclosure through the seals on the doors. This can cause condensation when the air in the enclosure cool down. The easy-to-fit DA 284 pressure compensation device enables pressure compensation with protection class IP66 (M12: IP66/IP68). Additionally, the watertight membrane inside the pressure compensation device allows humidity to escape from the cabinet at overpressure, while preventing water, humidity or dirt intrusion at under pressure.



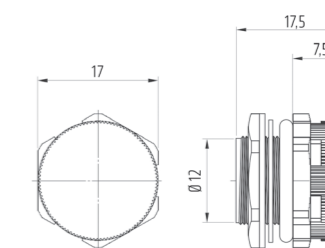
### TECHNICAL DATA

Mounting	thread M40 x 1.5 or M12 x 1.5 with nut
Torque	M40: 5 Nm, M12: 0.5 Nm
Depth in enclosure	M40: approx. 16mm, M12: approx. 8 mm
Sealing	sealing gasket NBR
Filter	waterproof membrane
Dimensions	M40: Ø 60 x 37 mm, M12: Ø 17 x 17,5 mm
Fitting position	variable
Operating/Storage temperature	-35 to +70 °C (-31 to +158 °F)
Note	Material adheres to limit values in accordance with RoHS3

**Installation:** Make cut-out Ø 40.5<sup>+0.5</sup> mm in enclosure wall for size M40 or Ø 12<sup>+0.2</sup> mm for size M12, and mount pressure compensation device with nut. Please make sure that the sealing gasket is put in place on the outer side panel of the enclosure.



DA 284, M40



DA 284, M12 (drawing is not proportional to M40)

Art. No.	Thread	Material	Protection type	Air permeability <sup>1</sup>	1 packing unit	Weight (approx.)	Approvals
28400.0-00	M40 x 1.5	plastic, light grey	IP66 (EN 60529) / IPX9K (EN 40050-9)	1,200 l/h	2 pieces	90 g (45 g / piece)	- EAC
28400.0-01	M40 x 1.5	plastic, light grey	IP66 (EN 60529) / IPX9K (EN 40050-9)	1,200 l/h	1 piece	45 g	- EAC
28400.0-04	M40 x 1.5	plastic, light grey	IP66 (EN 60529) / IPX9K (EN 40050-9)	1,200 l/h	100 pieces	4.5 kg (45 g / piece)	- EAC
28405.0-00	M40 x 1.5	plastic according to UL94 V-0, light grey; weather proof and UV light resistant according to UL746C (f1)	IP66 (EN 60529) / IPX9K (EN 40050-9)	1,200 l/h	2 pieces	120 g (60 g / piece)	UL File No. E234324 EAC
28406.0-00	M12 x 1.5	plastic according to UL94 V-0, light grey; weather proof and UV light resistant according to UL746C (f1)	IP66/IP68 (EN 60529) / IPX9K (EN 40050-9)	120 l/h	2 pieces	4 g (2 g / piece)	UL File No. E234324 EAC

<sup>1</sup> at a pressure difference of min. 70 mbar



## PRESSURE COMPENSATION DEVICE (STAINLESS STEEL/ALUMINIUM)

DA 284 | IP66 / IP67



Photo: M40 in stainless steel



Photo: M12 in aluminium

- > High degree of protection
- > Waterproof membrane

- > Corrosion resistant
- > Food safe

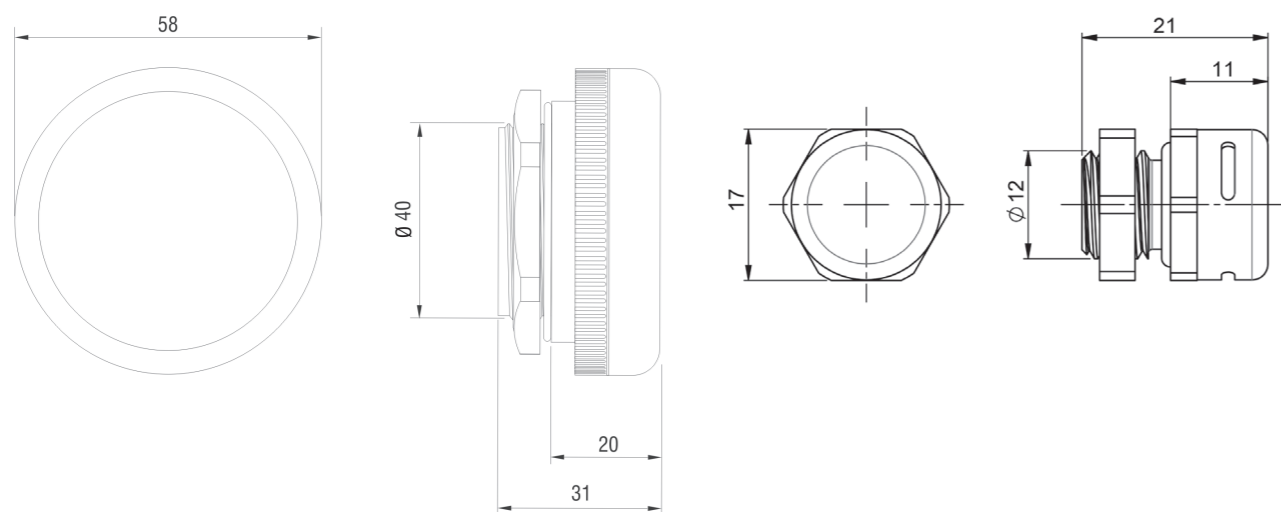
In enclosures and housings with a high protection class, differential pressure happens due to internal and external temperature changes. In the event of negative pressure, dust and humidity can be drawn into the enclosure through the seals on the doors. This can cause condensation when the air in the enclosure cool down. The easy-to-fit DA 284 pressure compensation device enables pressure compensation with protection class IP66 (M12: IP66/ IP68). Additionally, the watertight membrane inside the pressure compensation device allows humidity to escape from the cabinet at overpressure, while preventing water, humidity or dirt intrusion at under pressure.



### TECHNICAL DATA

Torque	5 Nm
Depth in enclosure	~ 9 mm
Sealing	sealing gasket NBR
Filter	waterproof membrane
Dimensions	M40: Ø 58 x 31 mm, M12: Ø 17 x 21 mm
Fitting position	variable
Operating/Storage temperature	-35 to +80 °C (-31 to +176 °F)
Approvals	EAC
Note	Material adheres to limit values in accordance with RoHS3

**Installation:** Make cut-out Ø 40.5<sup>+0.5</sup> mm for size M40/ Ø 12+ 0,2 mm for size M12 in enclosure wall and mount pressure compensation device with nut. Please make sure that the sealing gasket is put in place on the outer side panel of the enclosure.



Art. No.	Thread	Material	Protection type	Air permeability <sup>1</sup>	1 packaging unit	Weight (approx.)
28401.0-00	M40 x 1,5	V2A (DIN 1.4305 / AISI 303) <sup>2</sup>	IP66 (EN 60529) / IPX9K (EN 40050-9)	1.200 l/h	1 piece	0,2 kg
28401.0-02	M40 x 1,5	V4A (DIN 1.4404 / AISI 316L)	IP66 (EN 60529) / IPX9K (EN 40050-9)	1.200 l/h	1 piece	0,2 kg
28404.0-00	M12 x 1,5	Nickel-plated aluminum <sup>3</sup>	IP67	220 l/h	1 piece	0,009 kg

<sup>1</sup> at a pressure difference of min. 70 mbar

<sup>2</sup> V2A is not sea waterproof

<sup>3</sup> Corrosion test according to ISO 9227:2017

## DRAINAGE DEVICE

DD 084 | IP66 / IP67 / IP69K



Photo: Inside view

- > High degree of protection
- > Good drainage performance
- > Easy to install

- > Robust, weather and UV-light protected housing

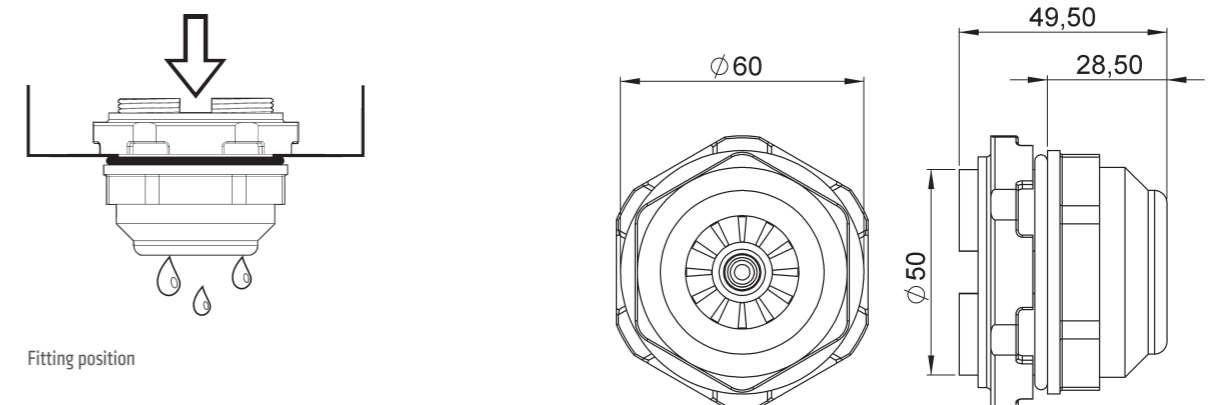
Condensate occurs in enclosures and housings with high protection type by variations in temperature. The use of a drainage device allows the conveying of the condensate without losing the maximum protection type of IP66. The water permeable membrane makes sure the drainage of the enclosure by the capillary attraction. The construction prevents the infiltration of splash water into the enclosure.



### TECHNICAL DATA

Mounting	thread M50 x 1.5 with nut (wrench size 60 mm, housing 50 mm)
Torque	6 Nm max.
Depth in enclosure	< 17,5 mm
Material	plastic according to UL94 V-0, umbra grey, weather proof and UV light resistant according UL746C (f1)
Water entry height	0 mm (at 0.5 mm wall thickness)
Sealing	sealing gasket NBR
Water flow-through	~ 200 ml/h at a water column of 5 mm
Dimensions	Ø 60 x 49.5 mm
Fitting position	horizontal, lowest point
Operating/Storage temperature	-45 to +70 °C (-49 to +158 °F)
Approvals	EAC
Note	Material adheres to limit values in accordance with RoHS3

**Installation:** Make cut-out Ø 50.5<sup>+0.5</sup> mm in enclosure bottom and mount drainage device with nut. Please make sure that the sealing gasket is put in place on the outer side panel of the enclosure and the hole is free of burrs.



Art. No.	Protection type	Enclosure wall thickness	1 package unit	Weight (approx.)
08410.0-00	IP66 / IP67 (EN 60529) / IP69K (EN 40050-9)	0.5 - 5.5 mm	1 piece	60 g

# LOCATIONS

## THE FAST TRACK TO STEGO



STEGO is represented globally and proud to offer its customers maximum availability, personal visits and consultations. With 10 locations, one sales office in China and more than 1500 sales partners worldwide, customer service is our top priority. Whenever you need support in matters of enclosure climatisation and thermal management – your STEGO contact is not far away.

Here you will find our contact details worldwide:

### → GERMANY

STEGO Elektrotechnik GmbH  
Kolpingstraße 21  
74523 Schwäbisch Hall  
Deutschland  
Phone +49 791 95058 0  
Fax +49 791 95058 45  
info@stego.de  
www.stego.de

### → SWEDEN

STEGO Norden AB  
Brunnsgatan 20  
553 17 Jönköping  
Sverige  
Phone +46 8 545 86160  
Fax +46 8 545 86161  
info@stegonorden.se  
www.stegonorden.se

### → ITALY

STEGO Italia S.r.l.  
Via Marie Curie, 27  
10073 Ciriè (TO)  
Italia  
Phone +39 011 4593 287  
Fax +39 011 4593 164  
info@stego.it  
www.stego.it

### → ENGLAND

STEGO UK Ltd.  
Unit 12, First Quarter Business Park  
Blenheim Road  
Epsom  
Surrey KT19 9QN  
England  
Phone +44 1372 747250  
Fax +44 1372 729854  
info@stego.co.uk  
www.stego.co.uk

### → POLAND

STEGO Polska Sp. z o.o.  
ul. Banacha 11  
41-200 Sosnowiec  
Polska  
Phone +48 32 263 22 42  
Fax +48 32 263 22 68  
info@stego.pl  
www.stego.pl

### → USA

STEGO, Inc.  
95 Chastain Road NW,  
Suite 200  
Kennesaw, GA 30144  
USA  
Phone +1 770 984 0858  
Fax +1 770 984 0615  
info@stegousa.com  
www.stegousa.com

### → BRAZIL

STEGO do Brasil Ltda.  
Rua dos Cortezes, 353 - Vila Marly  
012060-610 – Taubaté – SP  
Brasil  
Phone +55 12 3632-5070  
Fax +55 12 3632-5075  
info@stego.com.br  
www.stego.com.br

### → FRANCE

STEGO France SAS  
7 Mail Gay Lussac  
95000 Neuville sur Oise  
France  
Phone +33 1 39 19 57 57  
Fax +33 1 39 19 54 47  
info@stego.fr  
www.stego.fr

### → SPAIN

STEGOTRONIC S.A.  
C/ Francia, n° 20, Nave 2  
Polígono Industrial Les Comes  
08700 Igualada (Barcelona)  
España  
Phone +34 93 806 6026  
Fax +34 93 806 6057  
stegotronic@stegotronic.es  
www.stego.de/es

### → RUSSIA

000 "STEGO RUS"  
Kommunisticheskaya Street 10,  
Bldg. 1, Office 413, 420  
141011 Moscow region  
Mytishchi  
Russia  
Phone/Fax +7 495 255 07 88  
Mobile +7 926 835 67 34  
info@stego.ru  
www.stego.ru

→ **STEGO Elektrotechnik GmbH**

Kolpingstraße 21  
74523 Schwäbisch Hall  
Germany

Phone +49 791 95058 0  
Fax +49 791 95058 45

info@stego.de  
www.stego.de



**GHV Trading, spol. s r. o.**  
Edisonova 3  
612 00 Brno

Tel. CZ: +420 541 235 532-4  
Tel. SK: +421 255 640 293

e-mail: [ghv@ghvtrading.cz](mailto:ghv@ghvtrading.cz), [ghv@ghvtrading.sk](mailto:ghv@ghvtrading.sk)  
www: [www.ghvtrading.cz](http://www.ghvtrading.cz), [www.ghvtrading.sk](http://www.ghvtrading.sk)

