



6R, 6G
Point and Line Lasers
180R, 180G
Line Laser Levels

Users Manual

December 2018

© 2018 Fluke Corporation. All rights reserved. Specifications are subject to change without notice.
All product names are trademarks of their respective companies.

LIMITED WARRANTY AND LIMITATION OF LIABILITY

This Fluke product will be free from defects in material and workmanship for three years from the date of purchase. This warranty does not cover fuses, disposable batteries, or damage from accident, neglect, misuse, alteration, contamination, or abnormal conditions of operation or handling. Resellers are not authorized to extend any other warranty on Fluke's behalf. To obtain service during the warranty period, contact your nearest Fluke authorized service center to obtain return authorization information, then send the product to that Service Center with a description of the problem.

THIS WARRANTY IS YOUR ONLY REMEDY. NO OTHER WARRANTIES, SUCH AS FITNESS FOR A PARTICULAR PURPOSE, ARE EXPRESSED OR IMPLIED. FLUKE IS NOT LIABLE FOR ANY SPECIAL, INDIRECT, INCIDENTAL OR CONSEQUENTIAL DAMAGES OR LOSSES, ARISING FROM ANY CAUSE OR THEORY. Since some states or countries do not allow the exclusion or limitation of an implied warranty or of incidental or consequential damages, this limitation of liability may not apply to you.

Fluke Corporation
P.O. Box 9090
Everett, WA 98206-9090
U.S.A.

Fluke Europe B.V.
P.O. Box 1186
5602 BD Eindhoven
The Netherlands

ООО «Флюк СИИЭС»
125167, г. Москва,
Ленинградский проспект дом 37,
корпус 9, подъезд 4, 1 этаж

Table of Contents

Title	Page
Introduction	1
How to Contact Fluke.....	1
Safety Information.....	1
Product Familiarization	3
Features.....	3
Lasers and Optical Glass.....	5
Controls	6
Center Point and Accessory Mount	7
Use the Product	8
New Item Alignment.....	8
New Horizontal or Diagonal Alignment.....	8
New Vertical Alignment	9
Existing Item Alignment	10
Plumb Marks (6R, 6G Only).....	11
New Plumb Marks	11
Existing Item Plumb Check.....	12
Square Marks (6R, 6G Only)	13
Check Product Accuracy.....	14
Horizontal Laser Accuracy	14
Vertical Laser Accuracy	15
Plumb Accuracy (6R, 6G Only).....	16
Accessories.....	17
Maintenance	17
Clean the Product	17
Batteries.....	18
Housing Glass Insert	19
Specifications	19

Introduction

The 6R, 6G Point and Line Laser Levels and the 180R, and 180G Line Laser Levels (the Product) are battery-powered, self-leveling, professional grade instruments. The 6R and 180R emit solid red line lasers. The 6G and 180G emit solid green line lasers. The 6R and 6G also emit vertical and horizontal point lasers 90 degrees from the Product. Use the Product to lay out reference points to align targets horizontally, vertically, or diagonally.

Note

If the laser beam is difficult to see, use either the SLDR or SLDG Laser Detector to accurately determine the location of the laser. See the SLDR, SLDG Users Manual.

How to Contact Fluke

To contact Fluke, call one of the following telephone numbers:

- Technical Support USA: 1-800-44-FLUKE (1-800-443-5853)
- Calibration/Repair USA: 1-888-99-FLUKE (1-888-993-5853)
- Canada: 1-800-36-FLUKE (1-800-363-5853)
- Europe: +31 402-675-200
- Japan: +81-3-6714-3114
- Singapore: +65-6799-5566
- China: +86-400-921-0835
- Brazil: +55-11-3530-8901
- Anywhere in the world: +1-425-446-5500

Or, visit the PLS website at www.plslaser.com.

To view, print, or download the latest manual supplement, visit www.plslaser.com.

Safety Information

A **Warning** identifies conditions and procedures that are dangerous to the user. A **Caution** identifies conditions and procedures that can cause damage to the Product or the equipment under test.

Warning

To prevent eye damage and personal injury:

- **Read all safety information before you use the Product.**
- **Carefully read all instructions.**

- Do not alter the Product and use only as specified, or the protection supplied by the Product can be compromised.
- Do not use the Product if it operates incorrectly.
- Do not use the Product if it is altered or damaged.
- Use the Product only as specified or hazardous laser radiation exposure can occur.
- Do not look into the laser. Do not point laser directly at persons or animals or indirectly off reflective surfaces.
- Do not look directly into the laser with optical tools (for example, binoculars, telescopes, microscopes). Optical tools can focus the laser and be dangerous to the eye.
- Do not open the Product. The laser beam is dangerous to eyes.
- Batteries contain hazardous chemicals that can cause burns or explode. If exposure to chemicals occurs, clean with water and get medical aid.
- Do not disassemble the battery.
- Repair the Product before use if the battery leaks.
- The battery door must be closed and locked before you operate the Product.
- Remove the batteries if the Product is not used for an extended period of time, or if stored in temperatures above 50 °C. If the batteries are not removed, battery leakage can damage the Product.
- Replace the batteries when the low battery indicator shows to prevent incorrect measurements.
- Be sure that the battery polarity is correct to prevent battery leakage.
- Use only Fluke approved power adapters to charge the battery.
- Do not short the battery terminals together.
- Do not disassemble or crush battery cells and battery packs.
- Do not keep cells or batteries in a container where the terminals can be shorted.
- Do not put battery cells and battery packs near heat or fire. Do not put in sunlight.

Table 1 is a list of the symbols that can be used on the Product or in this manual.

Table 1. Symbols











Symbol	Description	Symbol	Description
	Consult user documentation.		Conforms to European Union directives.
	WARNING. RISK OF DANGER		Conforms to relevant Australian Safety and EMC standards.
	WARNING. LASER RADIATION. Risk of eye damage.		Conforms to relevant South Korean EMC Standards.

Table 1. Symbols (cont.)

Symbol	Description	Symbol	Description
	Battery		Low battery indicator.
	This product complies with the WEEE Directive marking requirements. The affixed label indicates that you must not discard this electrical/electronic product in domestic household waste. Product Category: With reference to the equipment types in the WEEE Directive Annex I, this product is classed as category 9 "Monitoring and Control Instrumentation" product. Do not dispose of this product as unsorted municipal waste.		
	Indicates a Class 2 laser. DO NOT STARE INTO BEAM The following text may appear with the symbol on the product label: "IEC/EN 60825-1:2014. Complies with 21 CFR 1040.10 and 1040.11 except for deviations pursuant to Laser Notice 50, dated June 24, 2007." In addition, the following pattern on the label will indicate wavelength and optical power: $\lambda = xxxnm, x.xx\text{mW}$.		

Note

In colder climates, the Product needs sufficient time to warm up to achieve the stated accuracy measurements. Turn on both the horizontal and vertical lasers and wait 3 minutes before you take a measurement. When you move the Product between environments with large differences in ambient temperature, allow for an additional adjustment time.

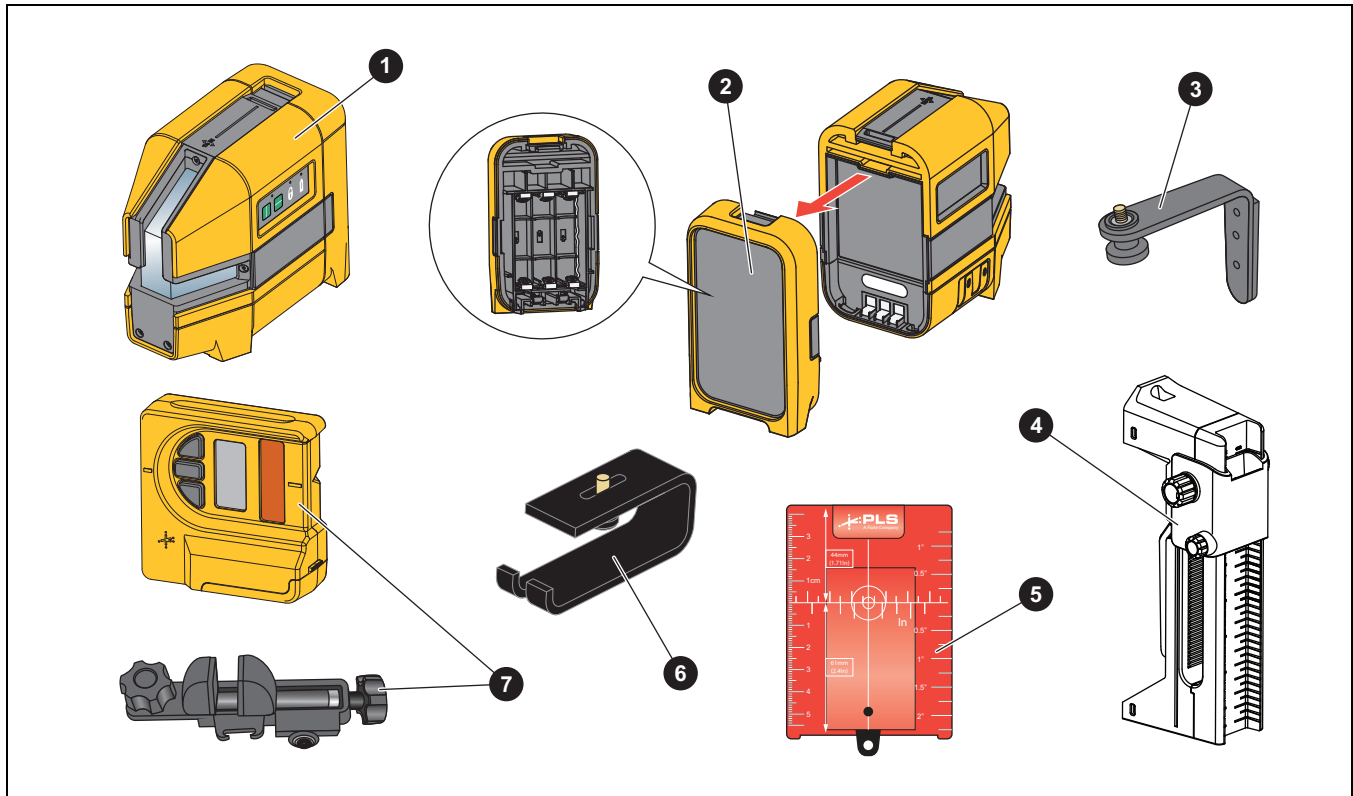
Product Familiarization

The manual explains features for multiple models. Because models have different features and accessories, not all of the information in the manual may apply to your Product.

Features

Use Table 2 to identify the features and standard accessories of your Product.

Table 2. Features



Item	Description	6R, 6G	6R, 6G KIT	6R, 6G SYS	180R, 180G	180R,180G KIT	180R,180G SYS
1	The Product	●	●	●	●	●	●
2	BP5 alkaline battery pack	●	●	●	●	●	●
3	Magnetic L-bracket		●	●		●	●
4	UB9 Ceiling/wall bracket		●	●		●	●
5	Magnetic reflective target ^[1]		●	●		●	●
6	Floor stand		●	●			
7	SLD detector with bracket ^[2]			●			●
Not shown	Nylon pouch	●	●	●	●	●	●
	Tool box		●	●		●	●

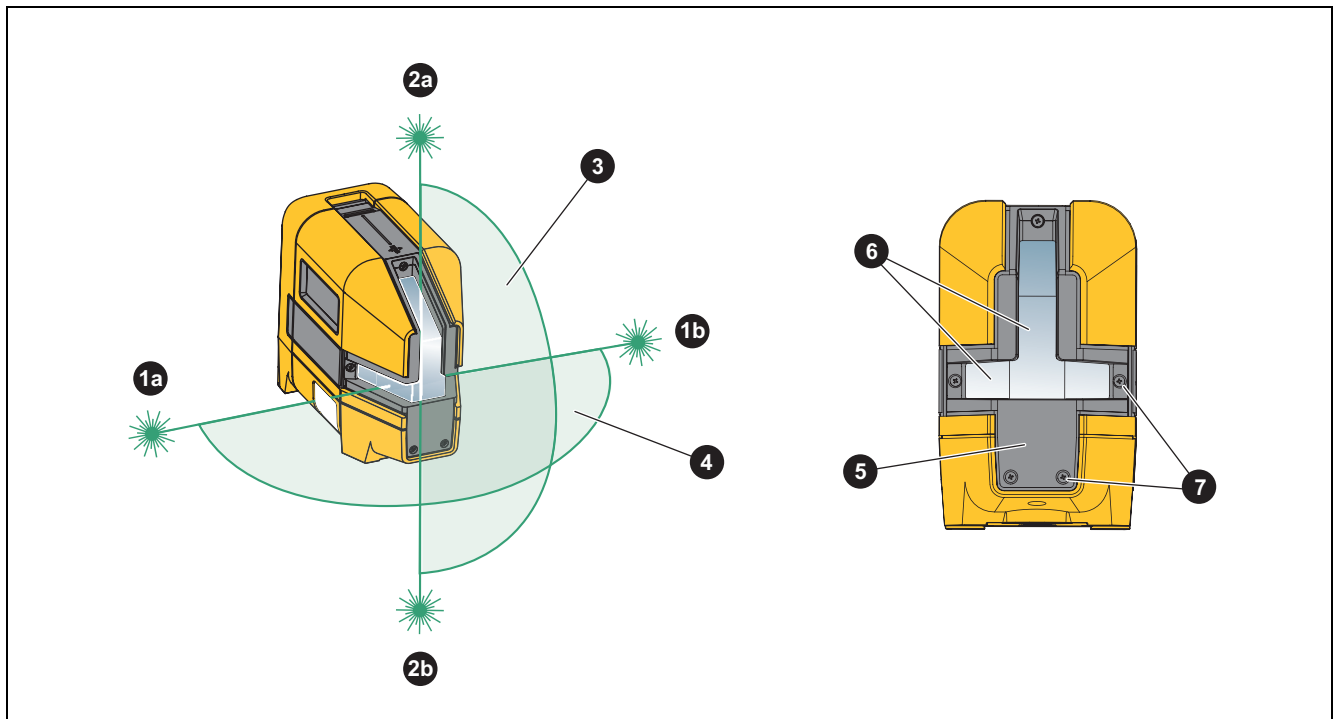
[1] The 6R and 180R kits include a red magnetic reflective target. The 6G and 180G kits include a green magnetic reflective target.

[2] The 6R and 180R systems include a red SLD detector. The 6G and 180G systems include a green SLD detector.

Lasers and Optical Glass

Table 3 shows the lasers and optical glass.

Table 3. Lasers and Optical Glass

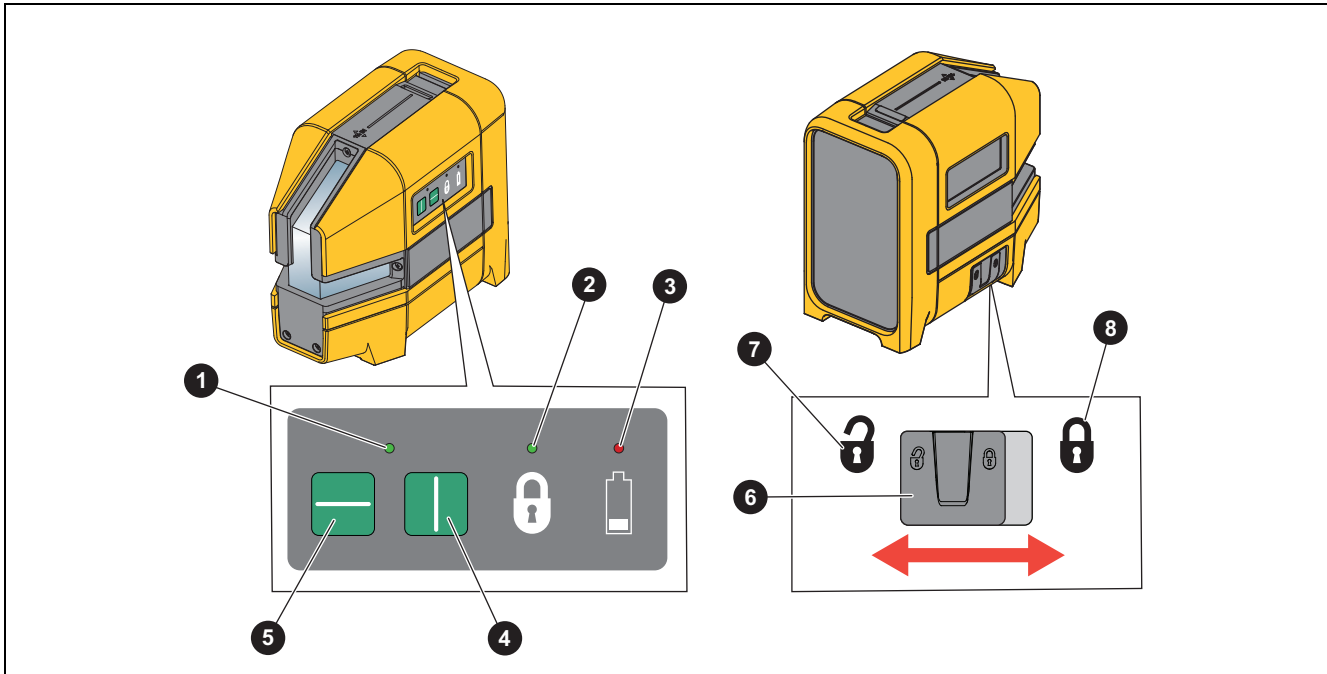


Item	Description	Item	Description
1	90 ° horizontal point lasers (6R, 6G only)	5	Housing glass insert
2	90 ° vertical point lasers (6R, 6G only)	6	Optical glass
3	Vertical line laser	7	Housing glass insert screws
4	Horizontal line laser		

Controls

Table 4 lists the Controls of the Product.

Table 4. Controls



Item	Description	Function
1	Laser LED	Shows green when at least one laser is on.
2	Lock LED	Shows green when the laser lock is enabled.
3	Battery LED	Shows red when the batteries need to be replaced.
4	Vertical laser button	Turns on or off the vertical laser.
5	Horizontal laser button	Turns on or off the horizontal laser.
6	Laser lock switch	Slides to lock or unlock the lasers.
7	Laser unlock position	The self-leveling feature, keeps the lasers visible when the Product tilts $\leq 4^\circ$ in any direction. When the Product tilts $> 4^\circ$ in any direction, the lasers do not show. The Laser indicator LED stays green to indicate that when you return the Product to an upright position, the lasers show again.
8	Laser lock position	Keeps the lasers visible even when you tilt the Product $> 4^\circ$. The lasers blink twice every 5 seconds to indicate the self-leveling feature is disabled. Use to align items diagonally such as a stair rail.

Center Point and Accessory Mount

Figure 1 shows features that help to layout reference marks. The vertical laser is centered 1.25 in (31.75 mm) from both sides of the Product. To stabilize the Product and view the laser that points down, use the accessory mount to secure the Product to the magnetic L-bracket, the floor stand, or a tripod.

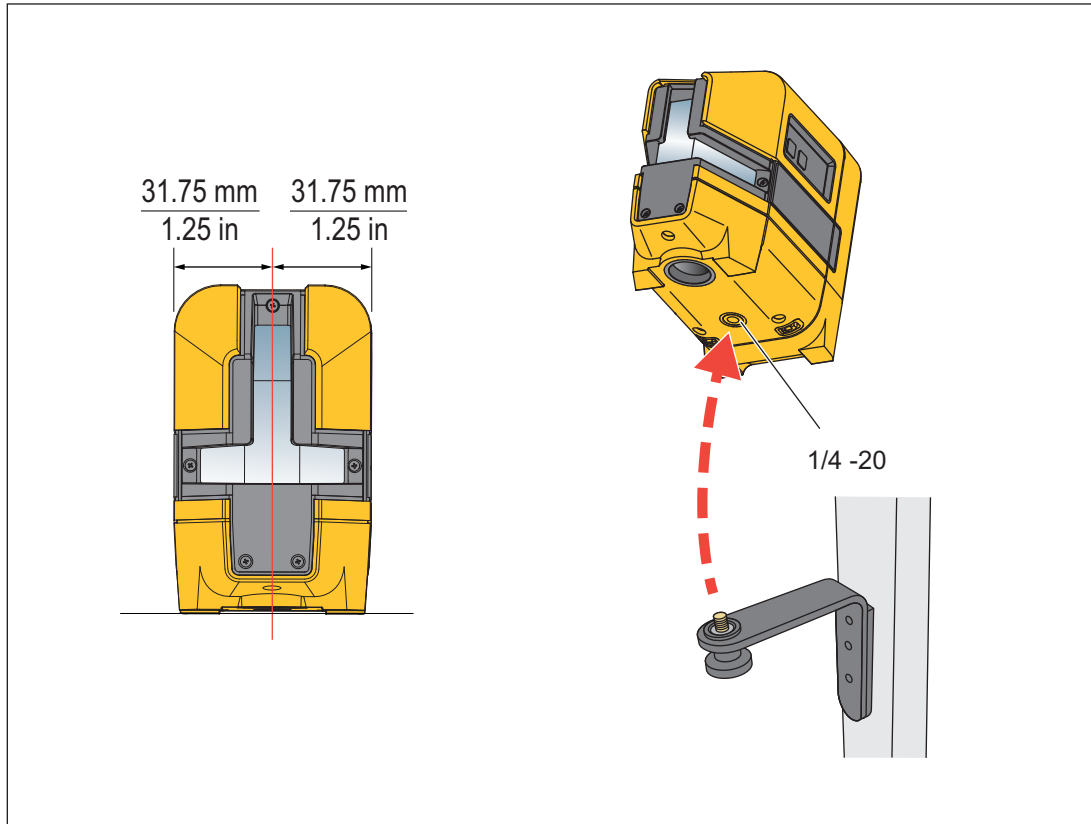


Figure 1. Center Point and Accessory Mount

Use the Product

Use the Product to layout reference points and to make sure conditions are level and plumb.

Warning

To prevent eye damage and personal injury, do not look into the optical windows when the Laser indicator LED shows green.

New Item Alignment

New Horizontal or Diagonal Alignment

Note

To find diagonal alignment, use the lock feature.

To identify new level or grade marks:

1. Put the bottom of the Product on a stable surface.
2. Turn on the horizontal laser and aim the laser at the target area. See Figure 2.
3. Put marks at the level or grade point on the target area.

Note

When the Product is mounted on a tripod, make sure the tripod head is perfectly level. Errors in marks can result if a tripod is out of level.

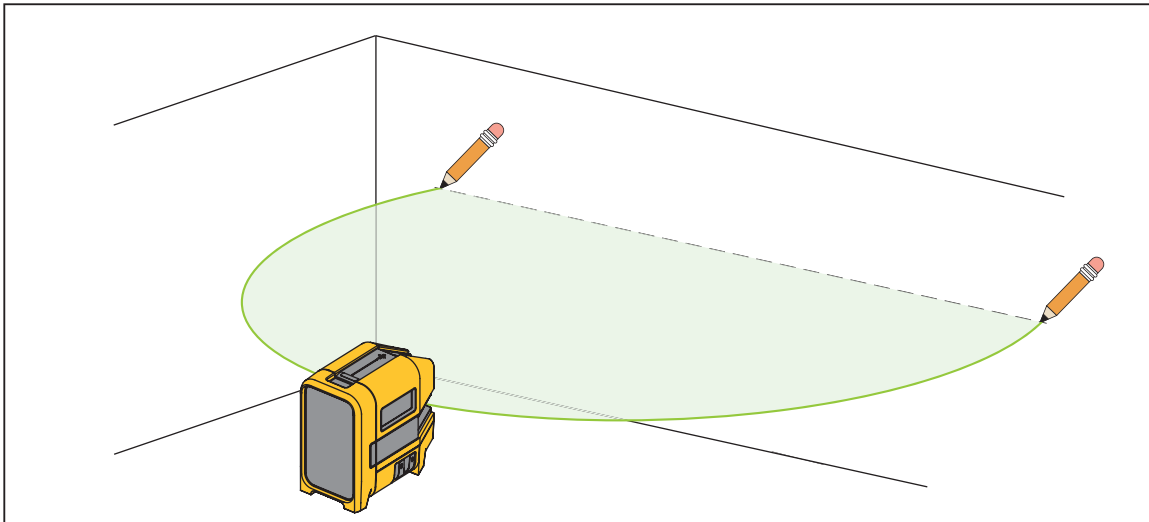


Figure 2. New Horizontal or Diagonal Alignment

New Vertical Alignment

To identify new marks that are vertically aligned:

1. Put the bottom of the Product on a stable surface.
2. Turn on the vertical laser and aim the laser at the target area. See Figure 3.
3. Put marks at the point where the vertical laser intersects the target area.

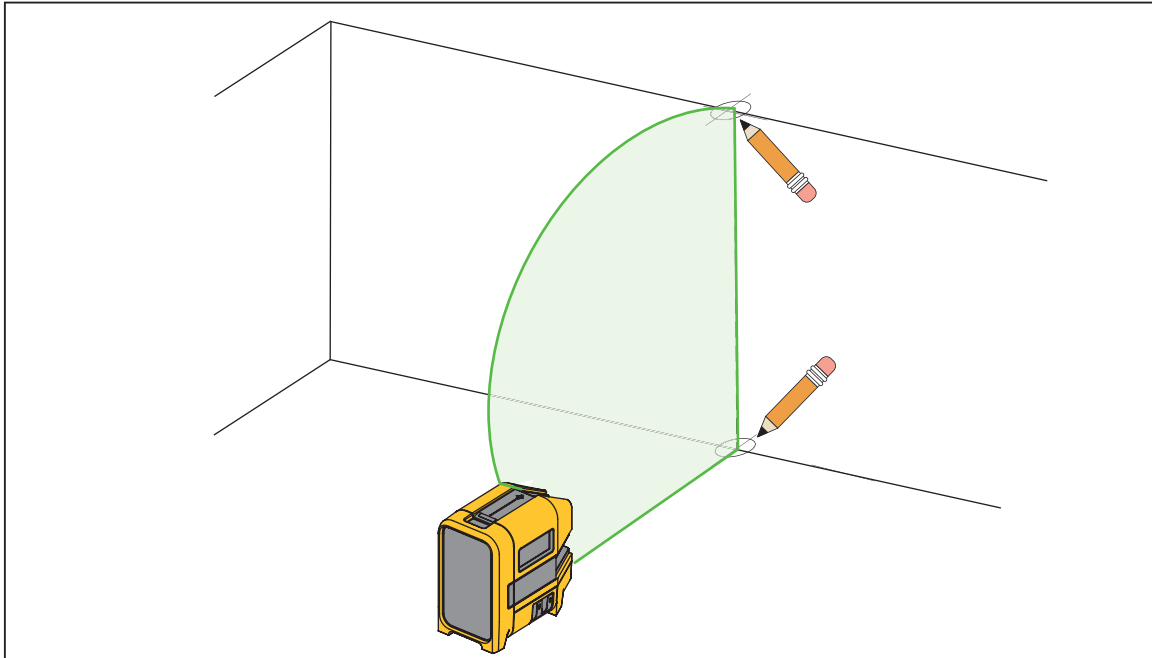


Figure 3. New Vertical Alignment

Existing Item Alignment

To determine if an existing item is level or aligned:

1. Put the bottom of the Product on a stable surface.
2. Aim the horizontal or vertical laser at the target area.
3. Measure the distance from the item to the laser at various distances from the Product. See Figure 4.

If the measurements are the same, the item is level or aligned.

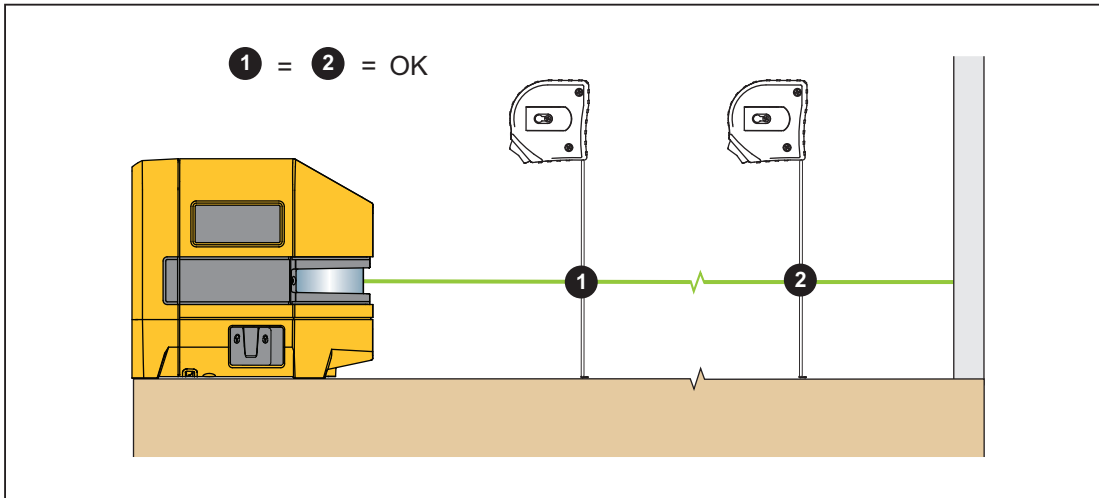


Figure 4. Existing Item Alignment

Plumb Marks (6R, 6G Only)

The Product sends plumb marks up and down.

New Plumb Marks

To identify new plumb marks on a ceiling or roof:

1. Place a cross mark on the point to be transposed.
2. Center the down laser over the cross mark. See Figure 5.
3. Place a mark at the point where the up laser intersects the target area.

To identify new plumb marks on a floor, repeat the steps above but interchange the down and up lasers.

Note

Use the floor stand with the Product to increase the sight angle of the vertical down laser.

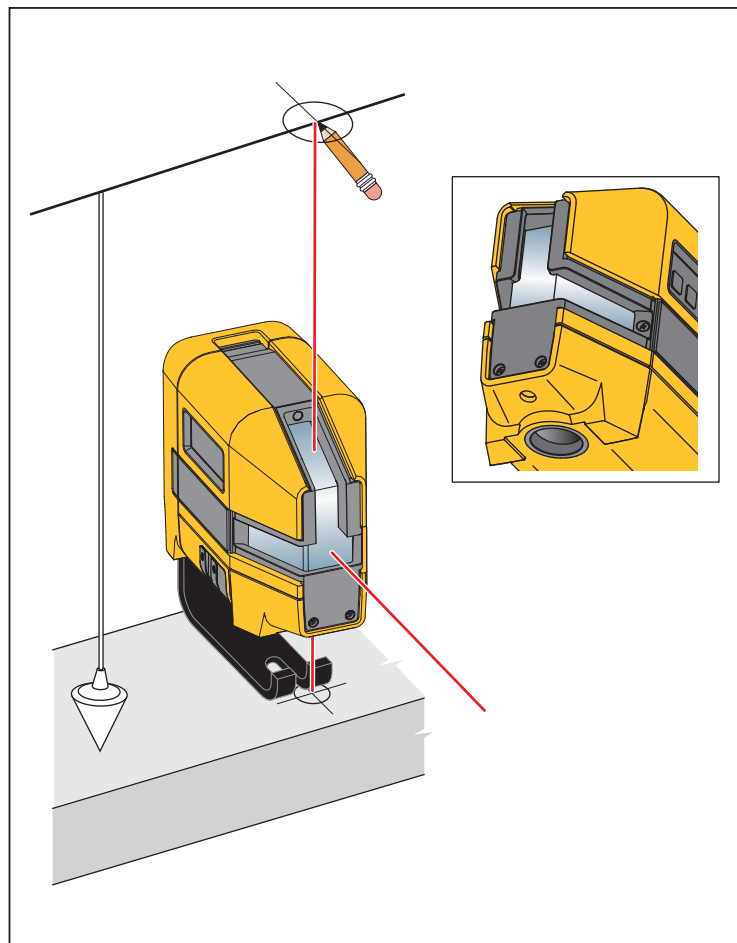


Figure 5. New Plumb Mark

Existing Item Plumb Check

To determine if an existing item is plumb:

1. Point either the up or down laser at the target area.
 2. Measure the distance from the item to the laser at various distances from the Product. See Figure 6.
- If the measurements are the same, the item is plumb.

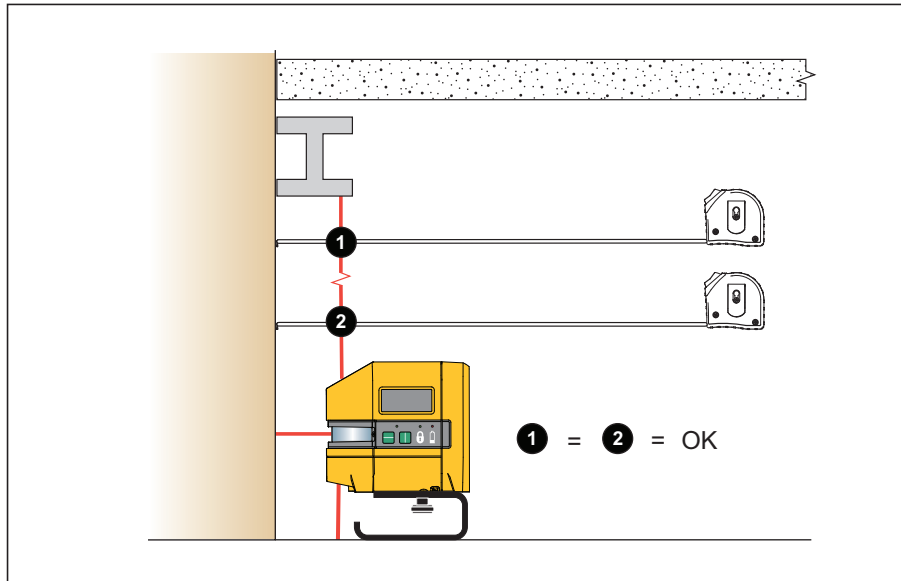


Figure 6. Existing Item Plumb Check

Square Marks (6R, 6G Only)

Use the vertical and horizontal point lasers to create new square marks or to determine if an existing item is square.

To layout a new square for a wall or staircase (see Figure 7):

1. Mark a vertical line on a wall.
2. Center the vertical laser on the line on the wall.
3. Place the pendulum target on the floor and align the horizontal point laser with the center vertical line on the pendulum target.
4. Place a mark on the floor below the point of the pendulum target.
5. Move the Product either closer to or farther away from the wall and redo the procedure to make another mark on the floor.
6. Draw a line to connect the two marks. The new line is perpendicular to the wall.

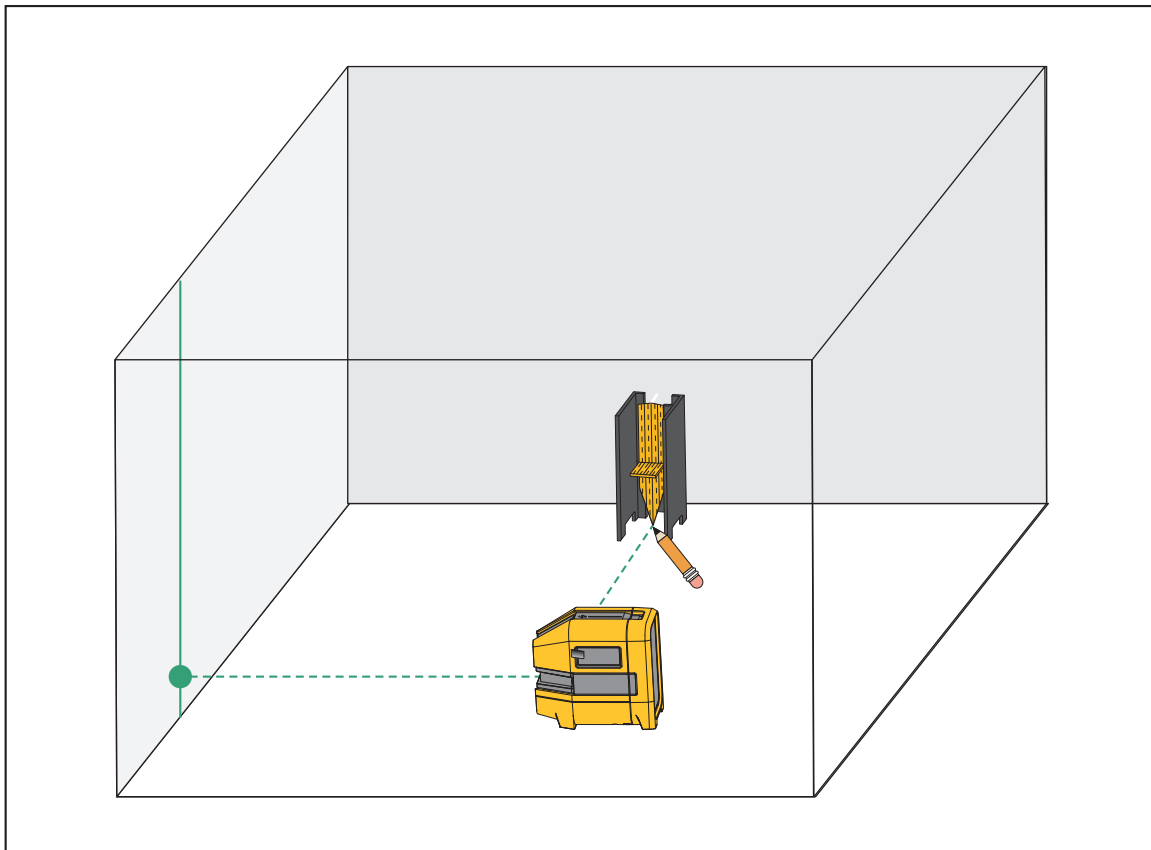


Figure 7. New Square

Check Product Accuracy

Periodically check the accuracy of the Product.

Horizontal Laser Accuracy

To check the accuracy of the horizontal laser:

1. Find a horizontal site that is almost level that is ≥ 4.57 m (15 ft) wide with two opposing walls to use as targets. You can also use scrap wood as targets. See Figure 8.

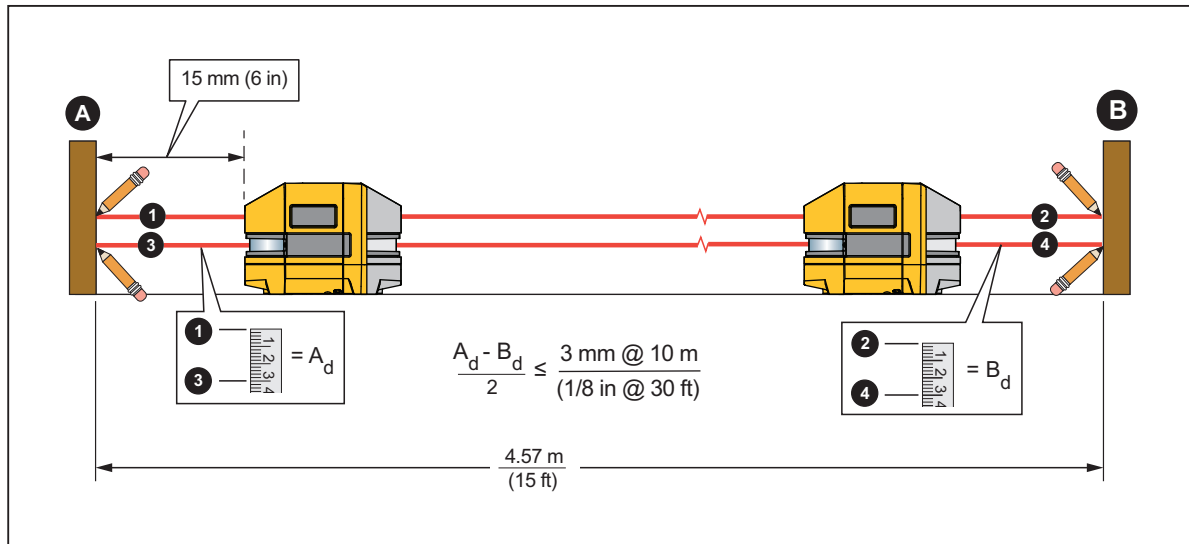


Figure 8. Horizontal Laser Accuracy

2. Put the Product about 15 cm (6 in) from target A.
3. Aim the horizontal laser at target A.
4. Put a mark 1 at the point where the horizontal laser intersects the target area.
5. Turn the Product 180 ° on its center so that the horizontal laser intersects with target B.
6. Put a mark 2 at the point where the horizontal laser intersects the target area.
7. Repeat with the Product 15 cm (6 in) from target B.
8. Measure the distance between mark 1 and mark 3 on target A and mark 2 and mark 4 on target B. If the distances are the same, the laser is within calibration.
9. If the distances are not the same, subtract the lesser measurement from the greater measurement and divide the result by two to calculate the difference of error. If the distance of error is ≤ 3 mm at 10 m (1/8 in at 30 ft), the laser is within calibration accuracy. If the Product is not within accuracy, contact Fluke. See [How to Contact Fluke](#).

Vertical Laser Accuracy

To check the accuracy of the vertical laser:

1. Find a door jamb that has ~2.29 m (7.5 ft) clearance on both sides of the door.
2. Put a center mark on the door header an equal distance from both sides of the door jamb.
3. Put a cross mark (mark 1) on the floor centered on the mark on the door header. See Figure 9.
4. Put a second cross mark (mark 2) ~2.29 m (7.5 ft) from mark 1. Use the vertical laser to make sure that mark 2 is centered on the door header and intersects mark 1.
5. Put the Product on mark 2 with the vertical laser on.
6. Put a third cross mark (mark 3) on the floor ~4.57 m (15 ft) from the Product. Use the vertical laser to make sure that mark 3 is centered on the door header and intersects mark 1.
7. Put a cross mark ① on the door header above mark 1.
8. Move the Product to mark 3 and align the laser so that it intersects the centers of marks 1 and 2.
9. Put another cross mark ② on the door header above mark 1.
10. Measure the distance between the center points of the two cross marks.
If the distance is ≤ 3 mm at 10 m (1/8 in at 30 ft), the laser is within calibration accuracy.

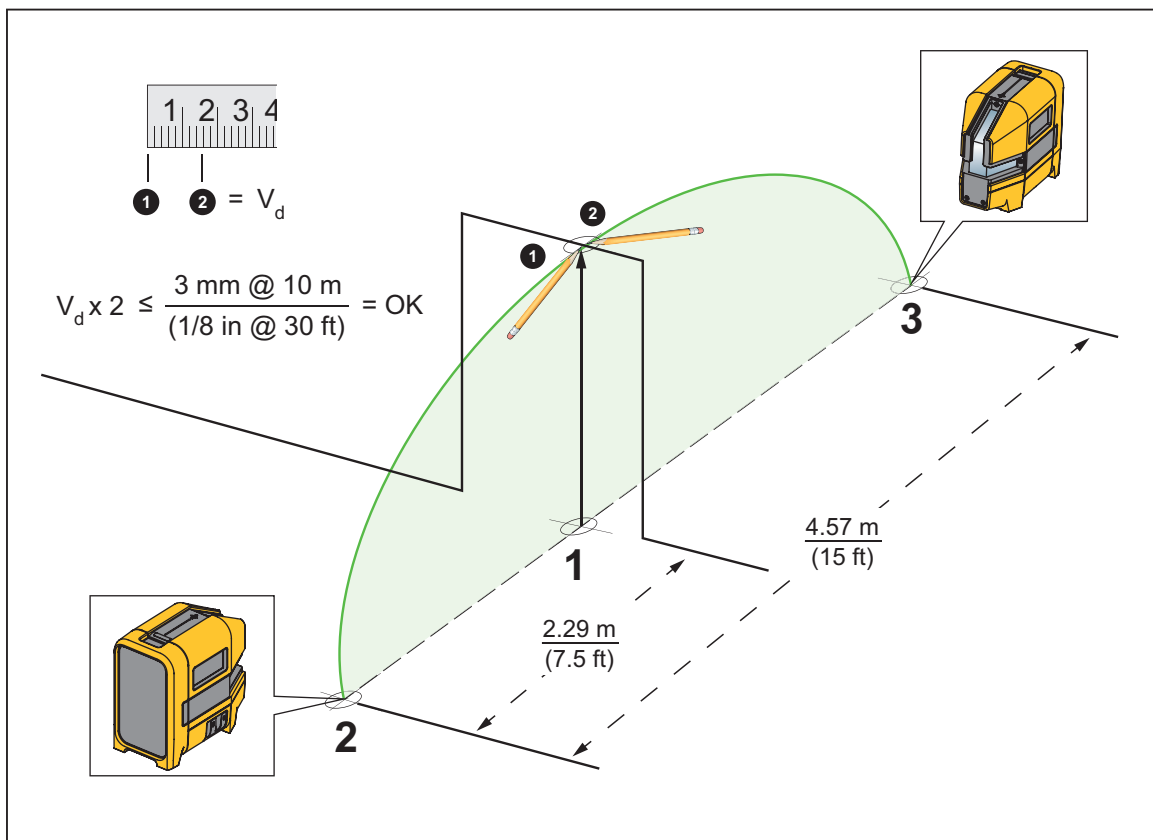


Figure 9. Vertical Laser Accuracy

Plumb Accuracy (6R, 6G Only)

To check the accuracy of the plumb:

1. Find a site that has a ≥ 2.29 m (7.5 ft) vertical height.
2. Place a cross mark at the bottom of the site.
3. Center the down point laser on both axes of the cross mark. See Figure 10.

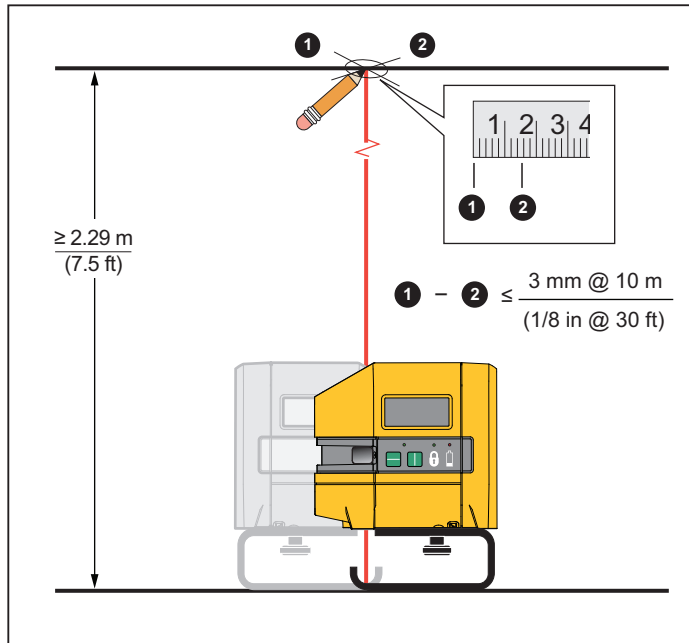


Figure 10. Plumb Accuracy

4. Place a cross mark at the point where the up point laser intersects the target area at the top of the site.
5. Turn the Product 180° on its center.
6. Repeat step 3 and step 4.
If the first and second cross marks on the target area at the top of the site are the same, the laser is plumb.
7. If the cross marks are not the same, measure the distance between the center points of the two cross marks and divide by two to calculate the difference of error.
If the distance is ≤ 3 mm at 10 m (1/8 in at 30 ft), the laser is within calibration accuracy.

Accessories

Table 5 is a list of the accessories available for the Product.

Table 5. Accessories

Model	Description	PN
PLS FS	Floor stand	5031929
PLS MLB	Magnetic L-bracket	5031934
PLS BP5	BP5 alkaline battery pack	5031952
PLS RRT4	Red magnetic reflective target	5022629
PLS GRT4	Green magnetic reflective target	5022634
PLS-10090	Pendulum layout target, PLS 5	4844979
PLS-60573	Canvas pouch	4792193
PLS C18	Tool box	4985124
PLS UB9	UB9 ceiling/wall bracket	4966636
PLS-HGI6R	Housing glass insert for 6R	5042456
PLS-HGI6G	Housing glass insert for 6G	5067785
PLS-HGI180R	Housing glass insert for 180R	5042463
PLS-HGI180G	Housing glass insert for 180G	5067797

Maintenance

To maintain the Product, clean the case and optical glass and replace the batteries.

Warning

To prevent eye damage and personal injury, do not open the Product. The laser beam is dangerous to the eyes.

Caution

To prevent damage to the Product, do not drop the Product. Treat the Product as a calibrated instrument.

Clean the Product

Clean the case with a damp cloth and a weak soap solution.

Caution

To prevent damage to the Product, do not use abrasives, isopropyl alcohol, or solvents to clean the case or optic windows.

To clean the optical glass, use a pressurized can of air or a dry nitrogen-ion gun, if available, to blow off particulates from the optical surfaces.

Batteries

Replace the batteries when the battery indicator LED is red.

To install or replace AA batteries (see Figure 11):

1. Open the battery compartment.
2. Install three AA batteries. Observe the correct polarity.
3. Close the battery compartment.

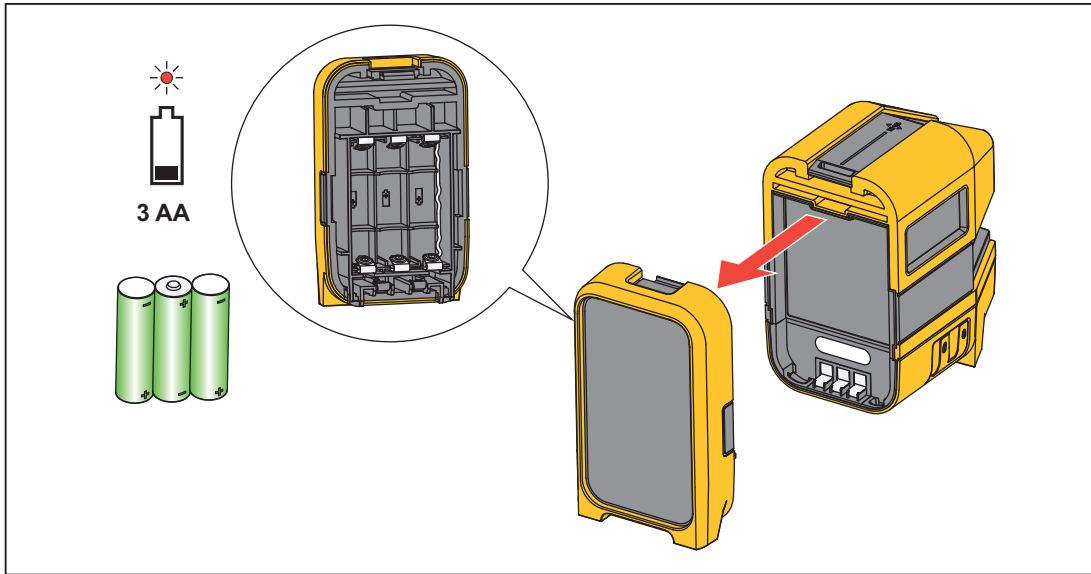


Figure 11. Battery Replacement

Housing Glass Insert

If the optical glass is damaged, replace the housing glass insert. See Table 5 for the part number to order for your Product.

To replace the housing glass insert (see Figure 12):

1. Remove the five housing glass insert screws. Note the proper placement of each screw because the screws are different sizes.
2. Pull out the housing glass insert.
3. Replace the insert and screws.

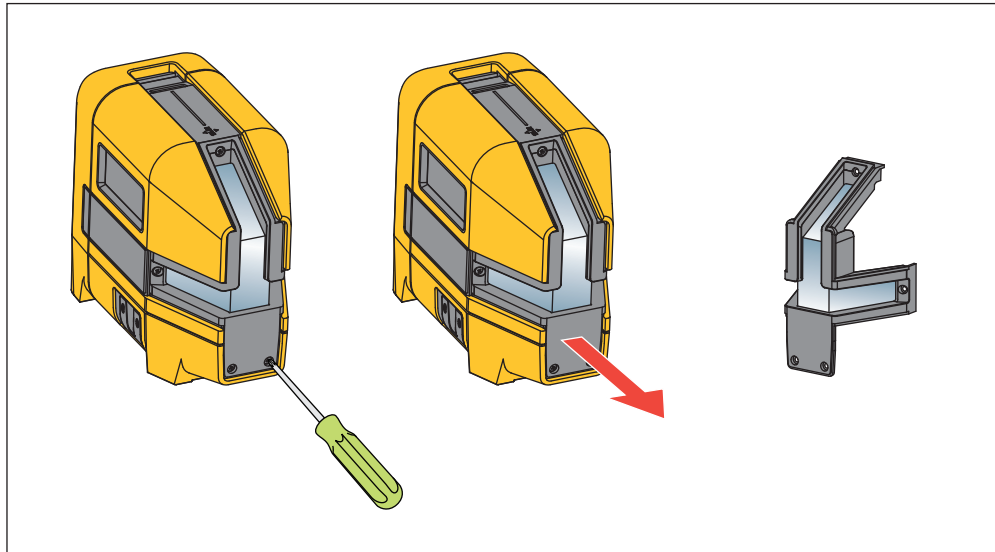


Figure 12. Housing Glass Insert Replacement

Specifications

Batteries	3 x AA Alkaline IEC LR6
Battery life, continuous use, both lasers, as tested	
Red	≥8 hours
Green	≥3 hours
Point laser direction (6R and 6G only)	90 ° up, down, left, right
Line fan angle	
Horizontal	≥180 °
Vertical	≥130 °

Working range	
Point laser (6R and 6G only)	≤30 m (100 ft)
Line laser	
Without SLD	≤15 m (50 ft)
With SLD	6 m to 60 m (20 ft to 200 ft)
Accuracy	≤3 mm at 10 m (≤1/8 in at 30 ft)
Laser leveling	4 °
Point laser diameter (6R and 6G only)	≤4 mm at 5 m
Line laser width	≤2 mm at 5 m
Temperature	
Operating	-10 °C to 50 °C (14 °F to 122 °F)
Storage	
With batteries	-18 °C to 50 °C (-0.4 °F to 122 °F)
Without batteries	-20 °C to 70 °C (-13 °F to 158 °F)
Relative humidity	0 % to 90 % (0 °C to 35 °C) 0 % to 75 % (35 °C to 40 °C) 0 % to 45 % (40 °C to 50 °C)
Size (H x W x L)	116 mm x 64 mm x 104 mm (4.6 in x 2.5 in x 4.1 in)
Weight	~0.6 kg (1.3 lb)
Drop test	1 m
Safety	IEC 61010-1: Pollution Degree 2
Laser	IEC 60825-1:2014 Class 2
Light source	Semiconductor laser diode
Max output power	<1 mW
Wavelength	
Red	635 nm ±5 nm
Green	525 nm ±5 nm
Electromagnetic Compatibility (EMC)	
International	IEC 61326-1: Basic Electromagnetic Environment CISPR 11: Group 1, Class B
<i>Group 1: Equipment has intentionally generated and/or uses conductively-coupled radio frequency energy that is necessary for the internal function of the equipment itself.</i>	
<i>Class B: Equipment is suitable for use in domestic establishments and in establishments directly connected to a low voltage power supply network which supplies buildings used for domestic purposes.</i>	
<i>Emissions that exceed the levels required by CISPR 11 can occur when the equipment is connected to a test object</i>	
Korea (KCC)	Class B Equipment (Broadcast communications equipment for home)
USA (FCC)	47 CFR 15 subpart B. This product is considered an exempt device per clause 15.103.