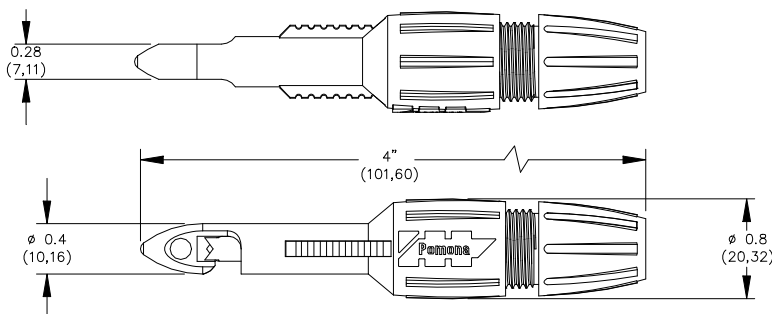


Models 6405 and 6413 Insulation Piercing Clips



Features

- Make contact with insulated wires without cutting or stripping insulation.
- Spring loaded double "V" clamp holds wire centered for piercing needle.
- Pierces insulation on wires from 22 to 14 AWG (0.030" through 0.180" diameter).
- Tiny hole left in insulation can easily be sealed.
- High visibility bright yellow body.
- 6405 mates with standard .16" (4mm) banana plug test leads, with or without safety shroud (e.g. 5907A or "B" series patch cords).
- 6413 mates with standard .080" (2mm) standard pin tip test probe (e.g. 5519A).
- Red or black color-coded cap for easy identification.
- Rotating banana jack will not twist test lead while the needle is screwed into wire.

Materials

Piercing Tip:	hardened stainless steel
Spring:	steel
Jack:	brass
Insulation (jack, body, tip):	nylon red or black caps with high visibility yellow nylon

Ratings

Operating Voltage:	33 Vrms or 70 Vdc Max.
Current:	1 Amperes Max.

Ordering Information

Models:

6405, for banana plug connections, set includes two clips, one red and one black

6413, for pin tip connections, set includes two clips, one red and one black