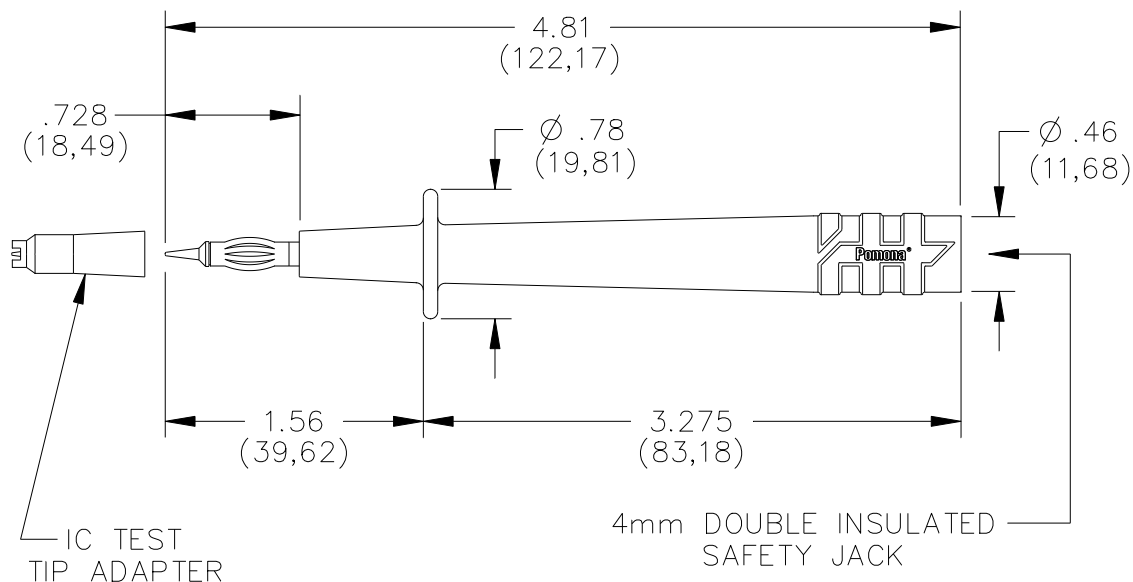


## Model 5906A Modular Test Probe Handle with Banana Plug Tip



### FEATURES

- Model 5906A has been redesigned to meet IEC 61010-031, which is the latest international safety standard for test accessories.
- Probe safety jack mates to Pomona's 5907A, 5908A and 5909A Flexible Test Leads for digital multimeter interfacing.
- Probe tip cap offers easy DIP lead testing and prevents accidental probe shorting.
- 4 mm banana plug probe tip mates into banana jacks for added test flexibility.

### MATERIAL

Probe Body: Polypropylene UL94 HB  
 Plug Tip: Body – Brass, Nickel Plated  
 4mm Safety Jack: Brass, Nickel Plated

### RATINGS

Operating Voltage: IEC 61010-031, CAT III 1000 V (with protective cap),  
 CAT II 1000 V (without protective cap).  
 Current: 10 Amperes Max.

### ORDERING INFORMATION

Model 5906A (Includes a set of one black and one red probe)  
 Probe set is also included in many Pomona DMM Test Kits.

