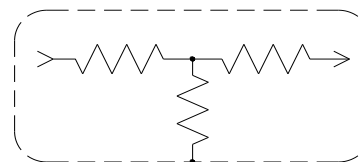
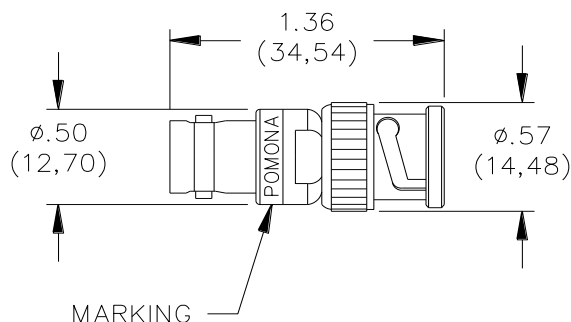


## Model 4108 & 5513 BNC 50 Ohm Attenuator & Kit



SCHEMATIC

ATTENUATION & VSWR TOLERANCES ALL MODELS	
VSWR	ATTENUATION TOLERANCES
1.1 to 1GHz	±0.4dB to 1GHz
1.2 to 2GHz	±0.45dB to 2GHz
1.35 to 4GHz	±0.65dB to 4GHz

MODEL NUMBER	*ATTENUATION
4108-3dB	3dB
4108-6dB	6dB
4108-10dB	10dB
4108-14dB	14dB
4108-20dB	20dB

### Features

- Used to attenuate signals in coaxial lines

### Materials

**Body and Fittings:** Brass per QQ-B-626, Alloy 360, ½ Hard

**Center Contact:**

*Male* – Brass per QQ-B-626, Alloy 360, ½ Hard

*Female* – Beryllium Copper per QQ-C-530, Cond. HT

**Outer Contact:** Beryllium Copper per QQ-C-530, Cond. HT

**Dielectric:** PTFE per ASTM D1457

**Gaskets:** Silicone rubber per ZZ-R-765, Class 11, Grade 50

**Resistor:** 2W, Metal film attenuator

**Finish:**

*Body and Fittings* – Tarnish Resistant

*Center Contact* – Gold plated per MIL-C-39012

*Outer Contact* – Tarnish Resistant

**Marking:** *Body* – “POMONA 4108-”



### Ratings

- Nominal Impedance: 50 Ohm
- Power: 2 Watt @ 70°C; derated linearly to .6 watts @ 150°C
- Resistor Tolerance: ± 2.5% @ 25°C
- Operating Temperature: -55°C to +102°C

### Ordering Information

Model: **4108-XXdB** (XX – see table for available attenuations)

Model: **5513** Kit contains 1 of each model