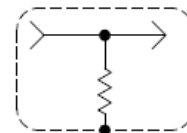
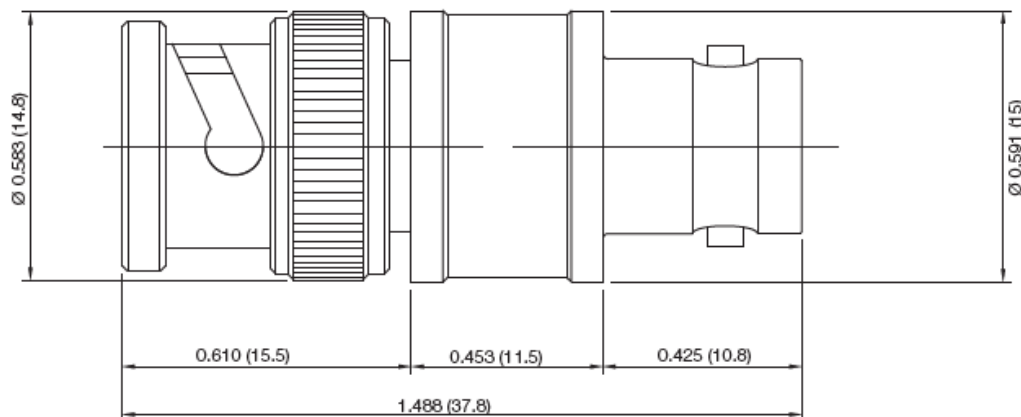


Model 4119
BNC Feed-Thru Termination



SCHEMATIC

Model No.	* Resistance Value Ω
4119-50	50
4119-75	75
4119-600	600

* drawing dimensions apply to the 50 Ω and 75 Ω versions only
 * 4119-600 overall length is 2.09" (53.1mm), diameter of 0.57" (14.5mm)

Materials

Body and Fittings: Brass, Alloy 360, 1/2 Hard
 Center Contact: Male – Brass, Alloy 360, 1/2 Hard
 Outer Shell: Nickel plated Brass
 Female – Beryllium Copper per Cond. Ht.
 Outer Contact: Beryllium Contact, Cond. Ht.
 Dielectric: PTFE
 Gasket/Seals: Silicone Rubber per ZZ-R-765, Class 11a, Grade 50
 Finish: Body and Fittings: Tarnish Resistant
 Center Contact: Male – Gold Plated
 Outer Contact: Tarnish Resistant
 Marking: "Pomona Elect. 4119-*" (resistance value marked on label)
 Specifications: 2%, 2 Watt, Carbon-film resistor deposited over Ceramic Core
 VSWR: 1.1 Max. from DC to 250 MHz
 1.2 Max. from 250 MHz to 500 MHz

Ratings

Operating Temperature: +102°C (+216°F) Max.

Ordering Information

Model: 4119-
 * = Resistance Value (see table above)