






Standard Glands with Thread, Polyamide

Polyamide cable glands with lamellar clamping

- For standard industrial applications.
- Easy assembly.
- High quality strain relief and sealing, reliable performance for standard industrial applications.
- Up-to-date international approvals.

Technical Details

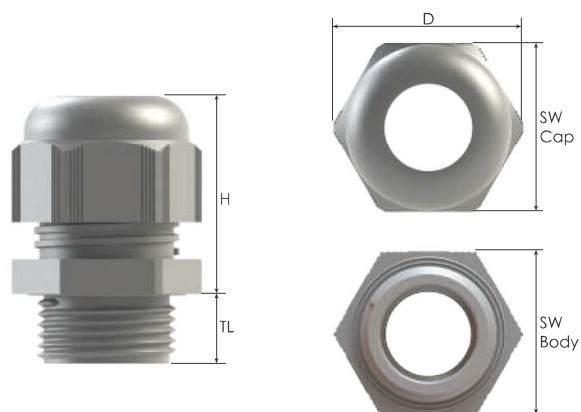
Material	Body, Cap	PA 6 (Polyamide 6)	
	Seal	CR (Chloroprene)	
Ingress Protection Rating		IP 68 - 5 Bar, 30 min	
		IP 66	
Flammability		V2 according to UL94	
Operating Temperature		Permanent	Intermittent
		-20 °C to +100 °C	-30 °C to +150 °C
Thread Type		<ul style="list-style-type: none"> • Metric EN 60423 • PG DIN 40430 • NPT ANSI B1.20.1 • Gas ISO 228 • Other thread types also available upon request. 	
Cable Type		Non armoured	
Accessories		<ul style="list-style-type: none"> • Lock nuts • Dome plugs • Reducing seals • Flat cable seals • Multihole seals • Gaskets (Washers) 	
		<ul style="list-style-type: none"> • In compliance with DIN EN 62444. • We recommend the use of lock nuts and gaskets to ensure IP rating for rough surfaces or through holes. • Accessories must be ordered separately. • Some approvals do not cover all sizes. • Other colors on request: RAL 5015 (blue) RAL 9003 (white) RAL 3020 (red) 	
Remarks			

Approvals	Certificate Number	Standards
	134171	DIN EN 62444
	115116_0_000	CSA C22.2
	E199260	UL514B CSA22.2 No 18.3-12 CSA22.2 No 94.2-15
		UL50E
TYPE 4X		
	SERCOVAM RES 107572	UL514B §8.26.7
	E-14046	EN62444

For more approvals: see our webpage.



Standard Glands with Thread, Polyamide



Thread Type METRIC acc. to EN 60423

Outer Thread Size (Male)	Clamping Range Ø min - max	Outer Thread Length	Spanner		Outer Ø	max. Height	Part Number			Minimum Order Quantity	
			Cap	Body			RAL 7035 light grey	RAL 7001 grey	RAL 9005 black		
			mm	mm							
M12x1,5	2,0 - 5,0	8,0	15	15	17,0	25,3	BI-1S	BI-0S	BI-2S	4000	
	2,0 - 5,0	10,0	15	15	17,0	25,3	BM-EN-1SMR	BM-EN-OSMR	BM-EN-2SMR	4000	
	2,0 - 5,0	15,0	15	15	17,0	25,3	BM-EN-1SRL	BM-EN-OSRL	BM-EN-2SRL	4000	
	3,0 - 6,5	8,0	15	15	17,0	25,3	BM-1S	BM-0S	BM-2S	4000	
	3,0 - 6,5	10,0	15	15	17,0	25,3	BM-EN-1SM	BM-EN-OSM	BM-EN-2SM	4000	
	3,0 - 6,5	15,0	15	15	17,0	25,3	BM-EN-1SL	BM-EN-OSL	BM-EN-2SL	4000	
M16x1,5	2,0 - 6,0	8,0	19	19	21,7	27,4	BM-EN-11R	BM-EN-01R	BM-EN-21R	2000	
	2,0 - 6,0	10,0	19	19	21,7	27,4	BM-EN-11MR	BM-EN-01MR	BM-EN-21MR	2000	
	2,0 - 6,0	15,0	19	19	21,7	27,4	BM-EN-11LR	BM-EN-01LR	BM-EN-21LR	2000	
	3,0 - 7,0	10,0	22	22	25,0	32,2	BI-11	BI-01	BI-21	1800	
	3,0 - 7,0	15,0	22	22	25,0	32,2	BI-11L	BI-01L	BI-21L	1500	
	4,0 - 8,0	8,0	19	19	21,7	27,4	BM-EN-11	BM-EN-01	BM-EN-21	2000	
	4,0 - 8,0	10,0	19	19	21,7	27,4	BM-EN-11M	BM-EN-01M	BM-EN-21M	2000	
	4,0 - 8,0	15,0	19	19	21,7	27,4	BM-EN-11L	BM-EN-01L	BM-EN-21L	2000	
	5,0 - 10,0	10,0	22	22	25,0	32,2	BM-11	BM-01	BM-21	1800	
	5,0 - 10,0	15,0	22	22	25,0	32,2	BM-11L	BM-01L	BM-21L	1500	
M20x1,5	5,0 - 9,0	10,0	24	24	27,0	32,4	BI-12	BI-02	BI-22	1600	
	5,0 - 9,0	15,0	24	24	27,0	32,4	BI-12L	BI-02L	BI-22L	1000	
	6,0 - 12,0	10,0	24	24	27,0	32,4	BM-12	BM-02	BM-22	1600	
	6,0 - 12,0	15,0	24	24	27,0	32,4	BM-12L	BM-02L	BM-22L	1000	
	7,0 - 12,0	10,0	27	27	30,9	31,9	BI-13	BI-03	BI-23	1000	
	7,0 - 12,0	15,0	27	27	30,9	31,9	BI-14	BI-04	BI-24	850	
	7,0 - 13,0	10,0	25	25	27,5	34,0	BM-EN-12S	BM-EN-02S	BM-EN-22S	1600	
	10,0 - 14,0	10,0	27	27	30,9	31,9	BM-13	BM-03	BM-23	1000	
	10,0 - 14,0	15,0	27	27	30,9	31,9	BM-14	BM-04	BM-24	850	
	M25x1,5	9,0 - 13,0	8,0	29	29	32,5	37,7	BM-EN-13R	BM-EN-03R	BM-EN-23R	800
9,0 - 13,0		15,0	29	29	32,5	37,7	BM-EN-13RL	BM-EN-03RL	BM-EN-23RL	800	
9,0 - 16,0		10,0	33	33	37,2	38,4	BI-15	BI-05	BI-25	600	
9,0 - 16,0		15,0	33	33	37,2	38,4	BI-16	BI-06	BI-26	600	
11,0 - 17,0		8,0	29	29	32,5	37,7	BM-EN-13	BM-EN-03	BM-EN-23	800	
11,0 - 17,0		15,0	29	29	32,5	37,7	BM-EN-13L	BM-EN-03L	BM-EN-23L	800	
13,0 - 18,0		10,0	33	33	37,2	38,4	BM-15	BM-05	BM-25	600	
13,0 - 18,0		15,0	33	33	37,2	38,4	BM-16	BM-06	BM-26	600	
M32x1,5		11,0 - 15,0	10,0	36	36	41,0	42,3	BM-EN-14R	BM-EN-04R	BM-EN-24R	500
		11,0 - 15,0	15,0	36	36	41,0	42,3	BM-EN-14RL	BM-EN-04RL	BM-EN-24RL	500
	12,0 - 20,0	15,0	42	42	47,1	43,3	BI-17	BI-07	BI-27	400	
	15,0 - 21,0	10,0	36	36	41,0	42,3	BM-EN-14	BM-EN-04	BM-EN-24	500	
	15,0 - 21,0	15,0	36	36	41,0	42,3	BM-EN-14L	BM-EN-04L	BM-EN-24L	500	
	18,0 - 25,0	15,0	42	42	47,1	43,3	BM-17	BM-07	BM-27	400	
M40x1,5	16,0 - 23,0	10,0	46	46	52,4	47,4	BM-EN-15R	BM-EN-05R	BM-EN-25R	340	
	16,0 - 23,0	18,0	46	46	52,4	47,4	BM-EN-15RL	BM-EN-05RL	BM-EN-25RL	340	
	19,0 - 28,0	10,0	46	46	52,4	47,4	BM-EN-15	BM-EN-05	BM-EN-25	340	
	19,0 - 28,0	18,0	46	46	52,4	47,4	BM-EN-15L	BM-EN-05L	BM-EN-25L	340	
	20,0 - 26,0	18,0	53	53	59,6	52,4	BI-18	BI-08	BI-28	200	
	22,0 - 32,0	18,0	53	53	59,6	52,4	BM-18	BM-08	BM-28	200	
M50x1,5	25,0 - 31,0	18,0	60	60	67,8	54,8	BI-19	BI-09	BI-29	160	
	30,0 - 38,0	18,0	60	60	67,8	54,8	BM-19	BM-09	BM-29	160	
M63x1,5	29,0 - 35,0	18,0	65	65	72,4	54,9	BI-20	BI-10	BI-30	150	
	34,0 - 44,0	18,0	65	65	72,4	54,9	BM-20	BM-10	BM-30	150	
M75x2,0	48,0 - 55,0	25,0	75	80	89,0	55,0	BM-B12	BM-B02	BM-B22	80	