

Hygienic Cable Glands Stainless Steel

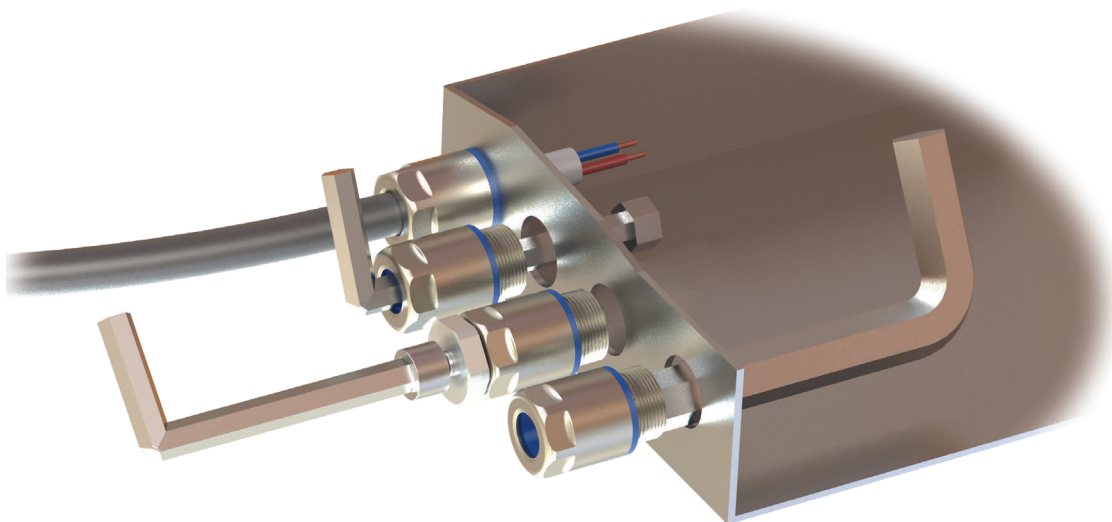
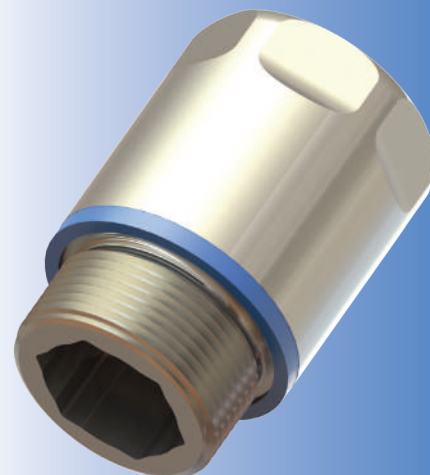
Cable glands for hygienic requirements

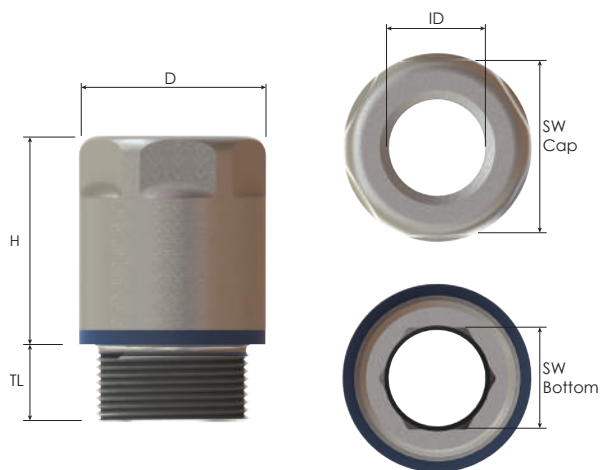
- For applications in manufacturing and packaging of food and pharmaceuticals, clean room technology, biotechnology, chemical industry.
- Smooth finish prevents harmful micro organisms to stick to the surface.
- No threads are exposed.
- Gasket material according to FDA guideline 21 CFR 177.2600.
- Cleaning of cable glands is easier, faster and less expensive.
- Reliable strain relief due to strain relief element separated from grommet.
- Suitable for high pressure steam cleaning.
- Lock nut included.

Technical Details

Material	Body, Cap	Stainless steel 1.4305 (AISI 303)	
	Clamp, Insert	POM	
	Seal	TPE	
Ingress Protection Rating		IP 68 - 5 Bar, 30 min IP 69	
Operating Temperature	Permanent	-20 °C to +100 °C	
	Intermittent	-40 °C to +150 °C	
Cable Type		Non armoured	
Thread Type		<ul style="list-style-type: none"> • Metric EN 60423 • Other thread types also available upon request. 	
Accessories		<ul style="list-style-type: none"> • Lock nuts • Dome plugs • Assembling tools 	
Remarks		<ul style="list-style-type: none"> • Manufactured according to DIN EN 62444/50262. • We recommend the use of lock nuts to ensure IP rating for rough surfaces or through holes. • Accessories must be ordered separately. • Some approvals do not cover all sizes. 	
		<p>Note: Applications of most cable glands don't require same parameters applied to tests. For applications strictly acc. to the approval definitions please consult data sheet.</p>	
Approvals	Certificate Number	Standards	
	40040032	DIN EN 62444	
	485TUM2016 No.15/2015	EHEDG-Doc. 2, 3rd edition, 2004,	
	E-14047	EN62444	

For more approvals: see our webpage.





Hygienic Cable Glands Stainless Steel

Thread Type **METRIC** acc. to EN 60423

Outer Thread Size (Male)	Clamping Range Ø min-max mm	Outer Thread Length TL mm	Spanner Width		Outer Ø D mm	Inner Ø ID mm	max. Height H mm	Part Number	Minimum Order Quantity
			Cap SW Cap mm	Bottom SW Bottom mm					
M12x1,5	3,0 - 6,5	6,0	14	7	15,6	6,7	22,0	BMFG-0S	250
M16x1,5	5,0 - 10,0	7,0	18	10	20,2	10,3	23,5	BMFG-01S	250
M20x1,5	6,0 - 12,0	10,0	22	13	24,1	12,3	27,0	BMFG-02S	250
M25x1,5	12,0 - 17,0	14,0	28	17	30,1	17,3	29,5	BMFG-03S	250

Hygienic Cable Gland Tightening Tool

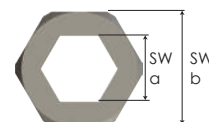
Technical Details

Material: Stainless Steel 1.4305 (AISI 303)



Tightening Tool

For Gland Size	Allen Screw SW a mm	Spanner Width SW b mm	Height h mm	Part Number	Minimum Order Quantity
M12	5,0	7	5,0	BMFGT-01	250
M16	6,0	10	5,0	BMFGT-02	250
M20	8,0	13	8,0	BMFGT-03	250
M25	10,0	17	8,0	BMFGT-04	250



Hygienic Cable Gland Special Tool

Technical Details

Material: Stainless Steel 1.4305 (AISI 303)

Special Tool

For Gland Size	Spanner Width		Part Number	Minimum Order Quantity
	SW c mm	SW d min-max mm		
M16	6,0	9,0 - 10,0	BMFGST-02	250
M20	8,0	11,0 - 13,0	BMFGST-03	250
M25	10,0	15,0 - 17,0	BMFGST-04	250

