

ATyS C65

Automatic Transfer Switch Controller

Ref. 1600 0065

ATyS C65 is an ATSE controller that can be used to pilot a remotely operated transfer switches of any technology: motorised switches, circuit breakers or contactors. It allows the automatic or remotely controlled transfer from one source to another with configurable timers and thresholds, as well as visualising everything on its display. ATyS C65 has been designed for Main/Genset, Main/Main and Genset/Genset applications.

Product Datasheet



Mechanical Characteristics

Mounting options	Door-fitted or back-plate
Housing Material	PC. Self-extinguishing UL94-V0
Protection degree	IP31 / IP65 front with gasket / IP20 rear
Shock resistance	IK08+ (6,8N)

Electrical Characteristics

Overvoltage category	CAT III
Pollution degree	Pollution degree 3
Impulse withstand test	8/6kV (ph diff. source / ph same source)
AC Operating limits	110-480 +/- 20%
Frequency	45-65 Hz
Power consumption	<10VA
Optional DC Aux. supply	24VDC (limits: 8-29V)*
Cranking dropouts	0V for 50ms
Reverse polarity protection	yes

Communication Characteristics

RS485	RS485 interface type	2 to 3 half duplex wires
	Protocol	MODBUS RTU
	Baudrate	Programmable 1200-115200 bps
	Max. distance	200-1200m (depends on baudrate)
	Termination	120ohms (selectable microswitch)
RJ45	Digiware interface type	Specific RJ45 cable
	Function	Digiware & External I/O modules
USB	USB2 Connection Type	Type B micro USB
	Protocol	MODBUS RTU over USB

Display characteristics

Type of display	8-line LCD screen
Resolution	350x160 pixels
Protection screen	PC . UL94-V2

COMPLIANCE WITH STANDARDS

- > IEC 61010-2-201
- > IEC 61010-1
- > GB/T 14048.11 Annex C
- > IEC 60947-6-1 when type tested with RTSE
- > BS EN 60947-6-1



KEY FEATURES

- Self-powered from sensing
- Wide voltage range (88-576VAC)
- Optional 24VDC supply
- 2 latching relays (genset start)
- Digiware IO10: I/O extension up to 30 inputs and 18 outputs
- Power & Energy metering with /1A or /5A current transformers
- Energy backup up to 30 seconds
- Smart commissioning wizard
- Up to IP65 protection degree
- 100 Alarms and 3000 Events
- Fully configurable timers & I/O
- 4 engine exerciser custom programs
- Customizable LED on the front face
- Visualisation dashboards in 1 click
- Easyconfig configuration software
- Digiware suitable (replaces U module)
- Ethernet, SNMP, BACnet using Diris D-70 & M-70 gateways (webserver)
- Display lang.: EN, FR, ES, IT, PL, ZH, TR, PT, DE

CERTIFICATIONS & MARKING *



(1) Certifications available on demand.

ATyS C65

Automatic Transfer Switch Controller

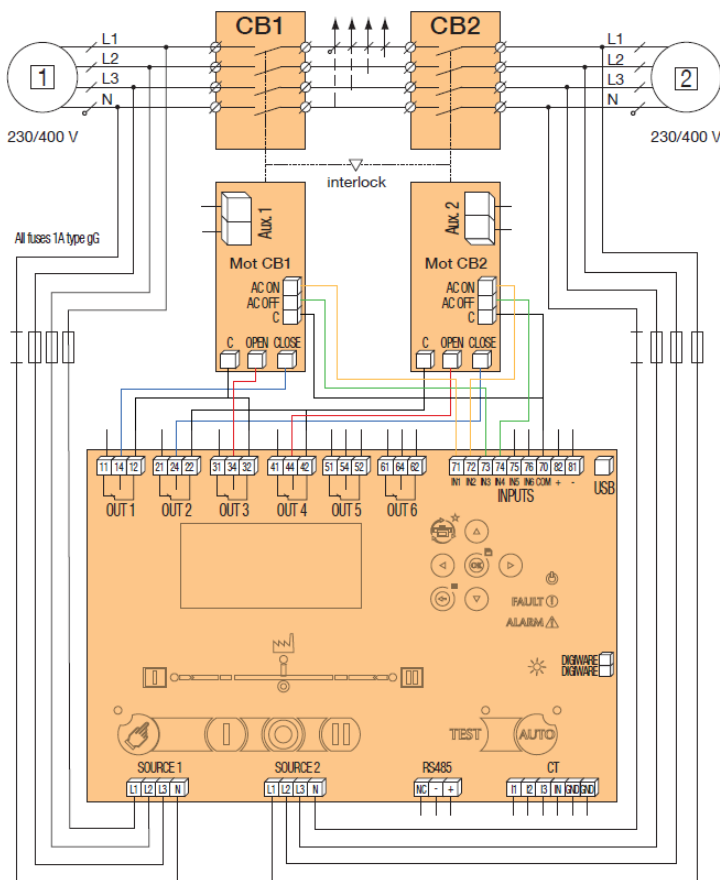
Environmental Characteristics

Ambient operating temperature	-30°C...+70°C
Storage temperature	-40°C...+70°C
Humidity	55°C / 95% HR
Operating altitude	<2000m
EMC classification	Class B (industrial + residential)

Measurement Characteristics

Voltage Measuring range (on all phases)	50-576VAC
Current Measuring on 2ary	1-6A direct. Up to 6500A
Measurement type	TRMS (true RMS)
Voltage Accuracy	1%
Frequency Accuracy	0,1%
Current Accuracy	1%
Power and Energy Accuracy	2%
Sample rate	9,6Hz

Typical wiring diagram

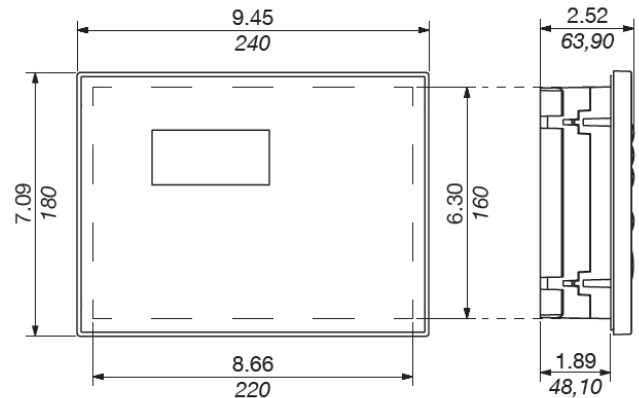


I/O Characteristics

Number of Digital Inputs	6x fully programmable
Number of Relay Outputs	6x relay outputs (2 latching ones)
Outputs rating	AC1 8A 277Vac 50/60Hz DC1 8A 24Vdc
Output contact type	Volt-free configurable NO/NC
Additional I/O modules	Up to 6 modules (+ 24In & 12Out)

DIMENSIONS

Overall dimensions	240x180x64mm
Door cutout	220x160mm



*AC ON/OFF stand for Position Auxiliary Contacts
 *Aux 1/2 stand for auxiliary power supply of the motors
 *C stands for Common

Related documentation

Product Quickstart	549782A
Product Instruction Manual	549866A
Config. Software download	Available at www.socomec.com

Corporate information

Socomec is continuously developing its products and reserves the right to change the data on this document without prior notification. The contents of this document are not contractual.

Find more information about us at www.socomec.com

SOCOMECC GROUP
 SAS SOCOMECC capital 10 816 800€
 R.C.S. Strasbourg B 548 500 149
 B.P. 60010 - 1, rue de Westhouse
 F-67235 Benfeld Cedex - FRANCE
 Tel. +33 3 88 57 41 41
 Fax +33 3 88 74 08 00
 info.scp.isd@socomec.com