

Micsig Accessories

DP10013 High Voltage Differential Probe



- ①Signal Input ②Attenuation Indicators/Overrange Indicators(Flash)
- ③Signal Output ④Power Input ⑤Power Output
- ⑥Alligator Clips (red black 1 pair) ⑦Hook Clips(red black 1 pair)
- ⑧Pincer Clips (red black 1 pair) ⑨USB Cable

Model	DP5013	DP10013
Bandwidth	50MHz	100MHz
Rise Time	7ns	3.5ns
Attenuation	50X 500X	50X 500X
Gain accuracy	±2%	±2%
Maximum Differential Test Voltage (DC+ Peak AC)	130V (50X) 1300V (500X)	130V (50X) 1300V (500X)
Maximum input common mode voltage (DC+ Peak AC)	130V (50X) 1300V (500X)	130V (50X) 1300V (500X)
Input referred noise	≤40mV rms (50X) ≤230mV rms (500X)	≤40mV rms (50X) ≤230mV rms (500X)
Common Mode Rejection Ratio	>80dB (DC) >60dB (100KHz) >50dB (1MHz)	>80dB (DC) >60dB (100KHz) >50dB (1MHz)
Input Impedance	10MΩ/1pF (differential) 5MΩ/2pF (Single-ended to ground)	10MΩ/1pF (differential) 5MΩ/2pF (Single-ended to ground)
Output Voltage	≤3V	≤3V
Output Impedance	75Ω	75Ω
Overrange Alarm	Button light flashes	Button light flashes
Power Supply	DC 5V, USB Supply	DC 5V, USB Supply
Power	0.85W	0.85W
Dimension	14.5cm*6cm*2.7cm	14.5cm*6cm*2.7cm
Input cable length	Approx 60cm	Approx 60cm
Output cable length	Approx 90cm	Approx 90cm

Model: P130A passive probe



- Bandwidth: 200MHz
- Attenuation ratio: x10
- Input capacitance: 14.5pF ~ 17.5pF
- Compensation range: 5pF ~ 30pF
- Lead length: about 130cm
- Input impedance: 10M Ohm
- Input voltage: less than 600V pk

Model: MS_A_008 Secondary ignition pickup



- capacitive with BNC
- Output Type: X10000 Auto Ignition Probe

Model: MS_A_001 Test leads



- BNC to banana: 3 kinds of length, 1.3M/3M/5M
- BNC to BNC: 1.6M

Model: MS_A_010 Multimeter pen



- Color: Grey
- Color of the Wire: Black + Red
- Material: Nickel Brass + Insulated Rubber
- Max Current: 10A
- Max Voltage: 1000V
- Wire length: Approx 120cm

Model: T3100 High Voltage passive probe



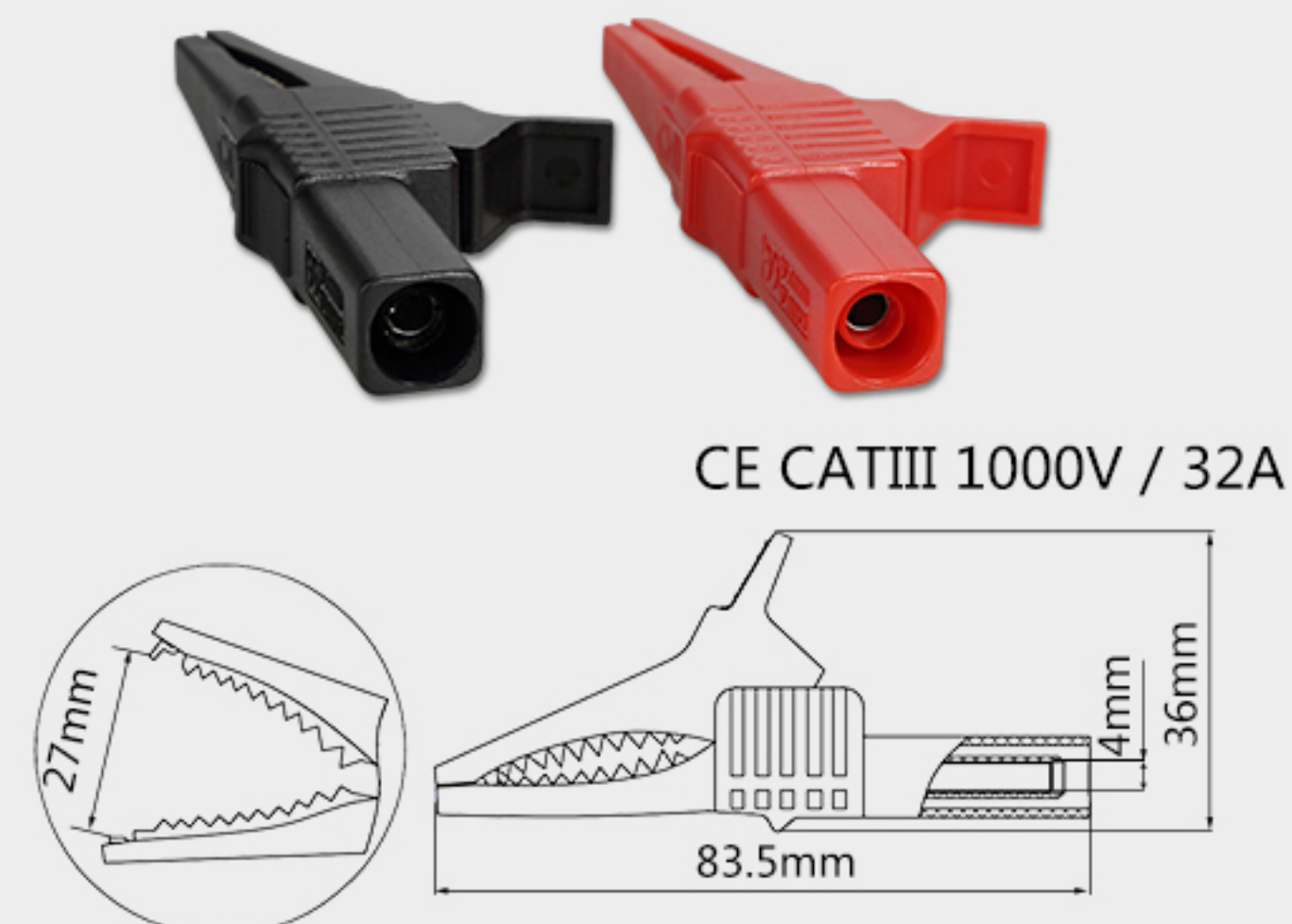
- Bandwidth: 10X: DC-100MHz
- Attenuation ratio: 100X
- Input capacitance: 100X: 18.5pF~22.5pF
- Compensation range: 15pF~45pF
- Lead length: 120cm
- Input impedance: 100M ohm
- input voltage: 100X: 2KV DC+ AC Vp-p

Model: MS_A_002 Isolate passive probe



- Brand: MULTI CONTACT
- Bandwidth: 250MHz
- Attenuation ratio: X10
- Input capacitance: 16 pF
- Compensation range: 10 pF-35 pF
- Lead length: 120cm
- Input impedance: 10MΩ±1%
- Input voltage: Max. 1000 V, CAT II (600V, CAT III)

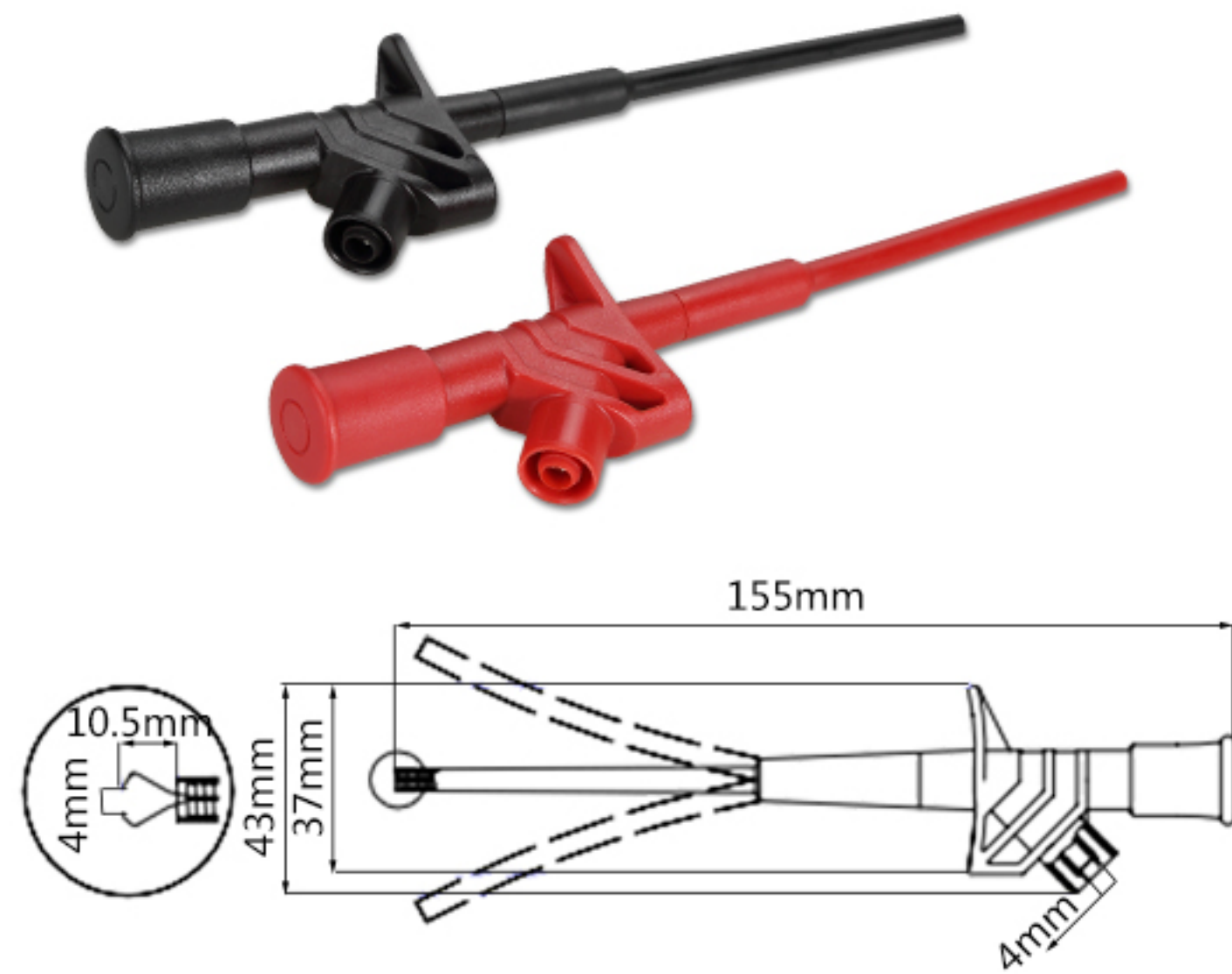
Model: MS_A_006 Insulated alligator clips



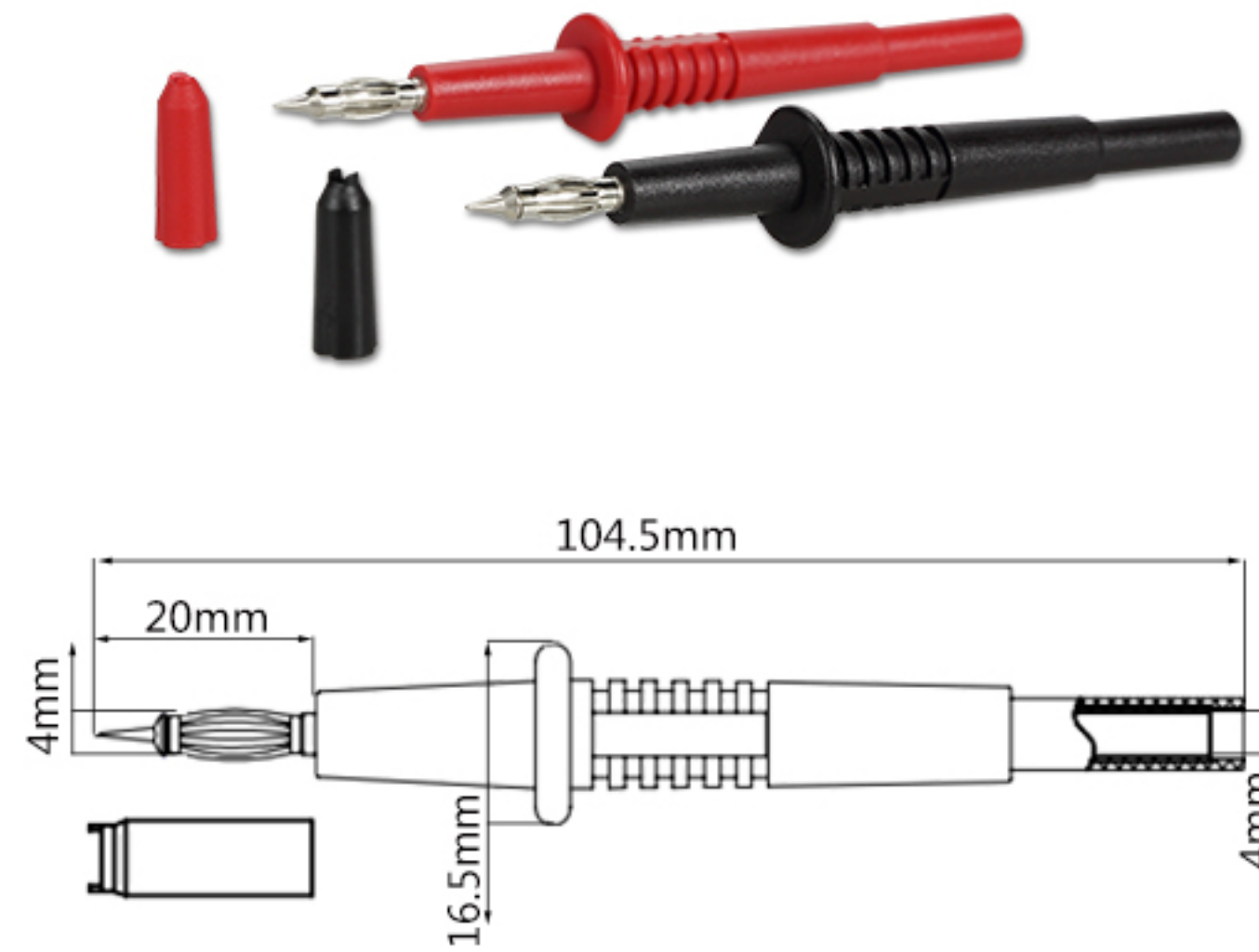
Model: MS_A_011 Fine copper test alligator clips



Model:MS_A_004
Test Probes and Test Clips



Model:MS_A_005
Multimeter probes



Model:MS_Belt
Carry Strap



Material: Genuine Leather

Model:MS_adaptor
Delta power adaptor

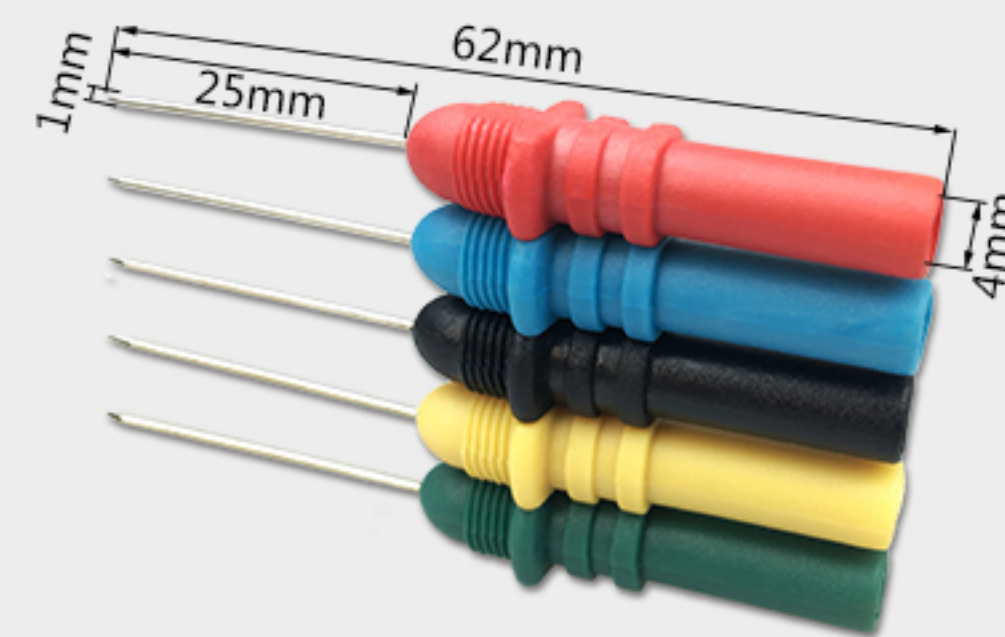


Brand: Delta
Output voltage / current: 12V/5A

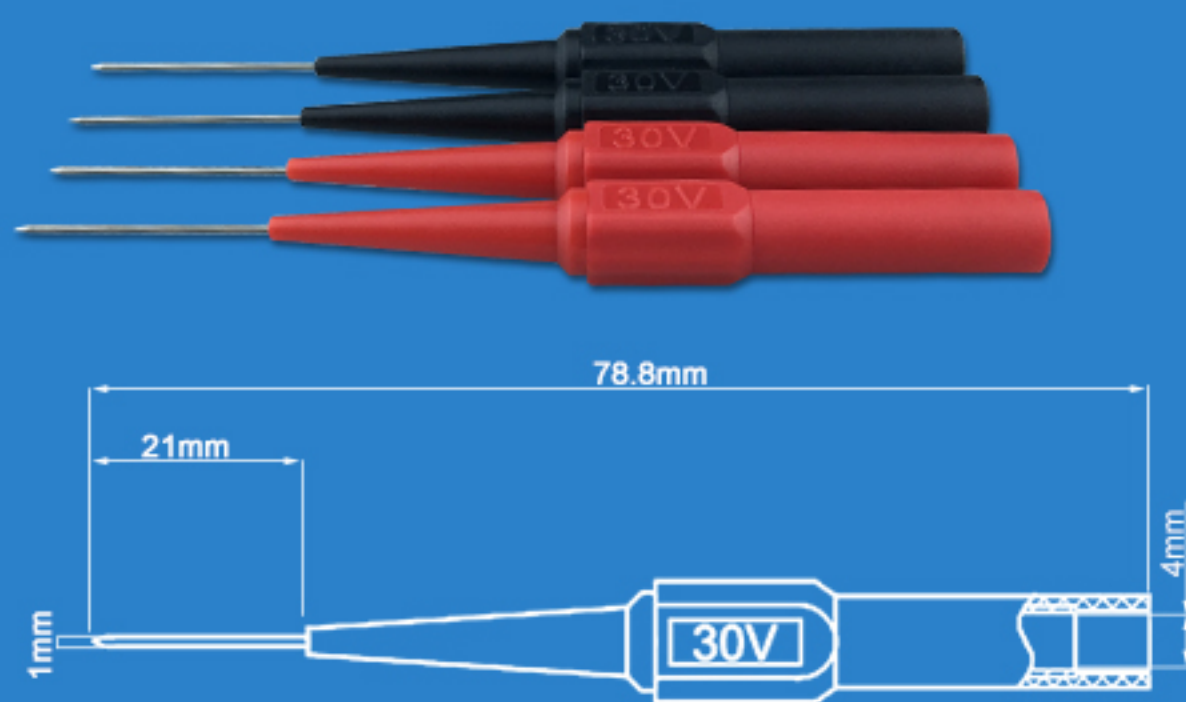
Model:MS_A_012
Quick piercing test hook needle



Model:MS_A_007
Non-destructive piercing needle

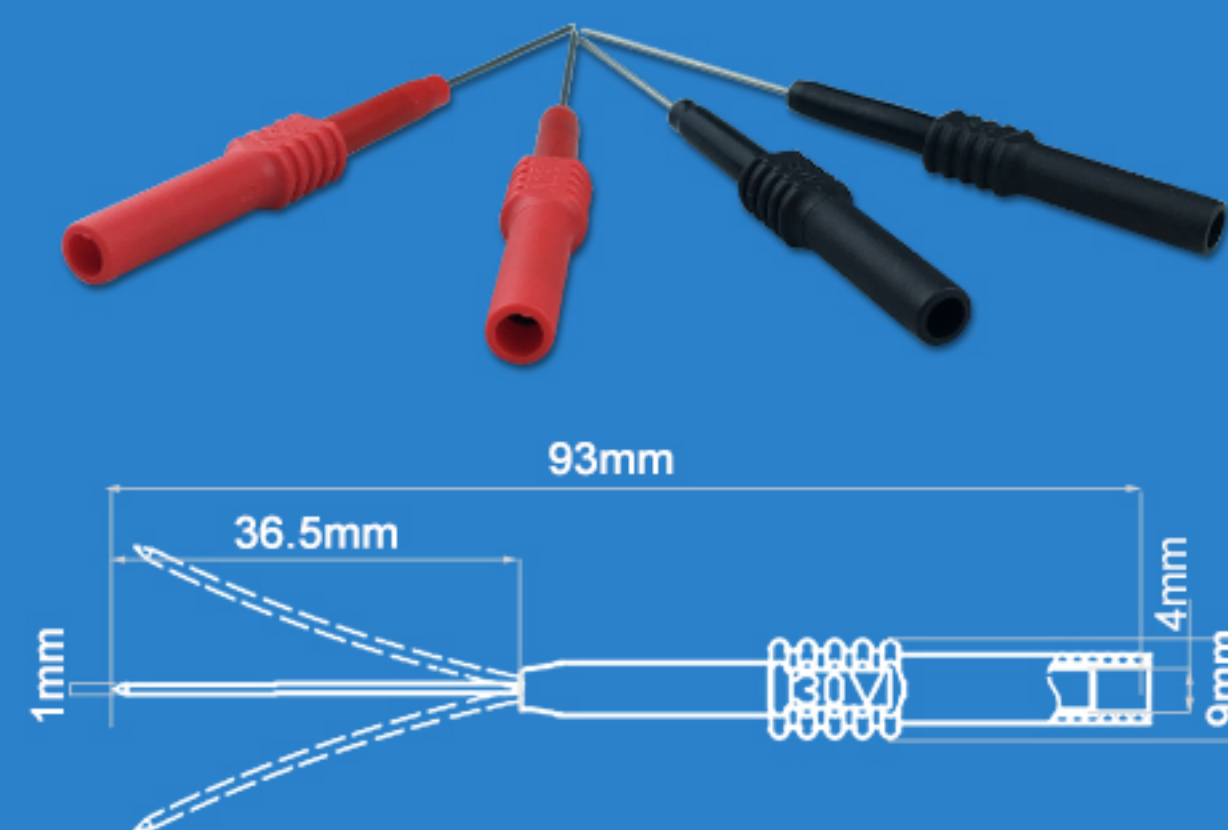


Model:MS_A_003
Insulation test needle



- Material: Plastic insulation, brass nickle and stainless steel
- Compliance: 30Vac-60Vdc/Max.10A
- Aperture Diameter: 4mm
- Needle Length: 21mm

Model:MS_A_009
Flexib piercing needle



- Material: Plastic insulation, brass nickle and stainless steel
- Compliance: 30Vac-60Vdc/Max.10A
- Aperture Diameter: 4mm

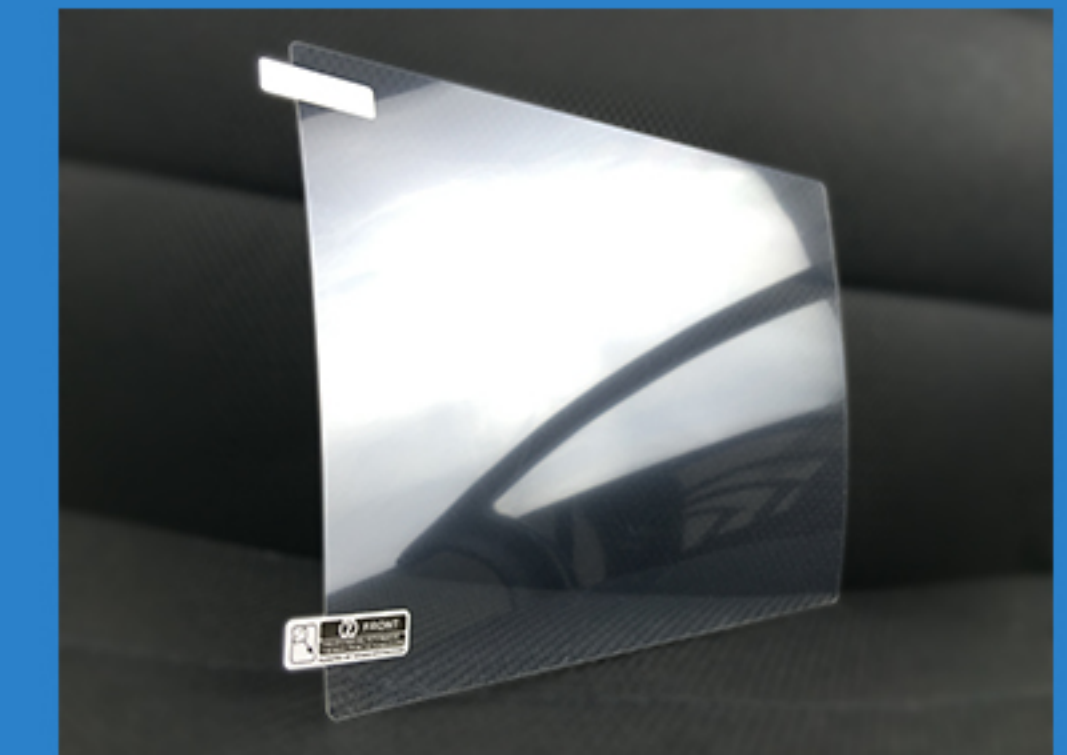
Model:MS_handbag
Oscilloscope Handbag



Material: Nylon

- Plush, quilted front pocket for storing accessories, manuals, etc.
- Wide-mouth opening with zipper-closure ensures easy accessibility.
- Flexible bag accommodates a range of equipment types.
- Fits all Micsig oscilloscope series.

Model:MS_mask
Screen protector film



Specifically designed for Micsig TO1000 series (8.0 inches) completely covering the flat screen, ultra-clear with 99.9% transparency to allow an optimal, natural viewing experience.

Micsig

Shenzhen Micsig Instruments Co.,Ltd.

Add: 305 Block A, CLOU Building, Baoshen RD, North Area, Nanshan Science&Technology Park, Shenzhen, Guangdong,China.

Tel: +86-755-86-88600880

Fax: +86-755-26078507-818

Web: www.micsig.com

E-mail: sales@micsig.com

