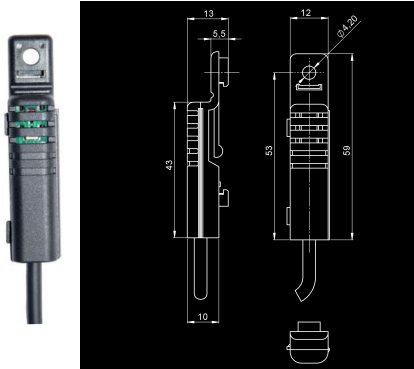


**DIGITAL PLUG & CONNECT SENSORS FOR IO-LINK SENSOR HUB SHC 071**

The IO-Link Sensor Hub SHC 071 does not come with sensors and connection cables, these need to be ordered separately. The digital Plug & Connect sensors listed below are suitable for connection with the sensor hub. The sensors are pre-calibrated and ready for use; there is no need for individual calibration. Their small dimensions and offering of different cable lengths allow flexible positioning and easy mounting, mounting clips included.

**DIGITAL PLUG & CONNECT TEMPERATURE AND HUMIDITY SENSOR SEN 073, IP20**

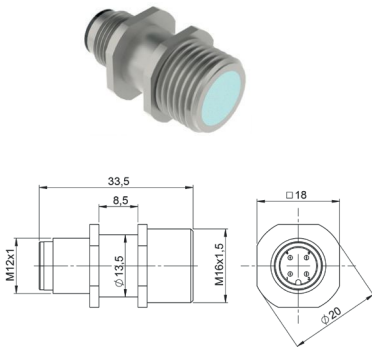


**TECHNICAL DATA**

<b>Mounting</b>	clip for 35 mm DIN rail, EN 60715 and screw mounting (M4)
<b>Casing</b>	plastic according to UL94 V-0, black
<b>Dimensions/Weight</b>	59 x 12 x 13 mm
<b>Fitting position</b>	variable
<b>Response time T<sub>63</sub></b>	1.5 min. (Temperature), 7 sec. (Humidity)
<b>Operating/Storage temperature</b>	-40 to +85 °C (-40 to +185 °F)
<b>Operating/Storage humidity</b>	100 % RH / max. 90 % RH (non-condensing)
<b>Operating altitude</b>	≤ 4,000 m above sea level

Art. No.	Sensor	Connection	Temperature measuring range	Humidity measuring range	Weight (approx.)	Protection type
07300.1-00	Temperature + rel. Humidity	cable with connector, shielded, 1.0 m	-40 to +80 °C (-40 to +176 °F) ±0.2 K	0 to 100 % RH ±2 %	40 g	IP20
07300.1-01	Temperature + rel. Humidity	cable with connector, shielded, 2.0 m	-40 to +80 °C (-40 to +176 °F) ±0.2 K	0 to 100 % RH ±2 %	70 g	IP20

**DIGITAL PLUG & CONNECT TEMPERATURE AND HUMIDITY SENSOR SEN 073, IP64**



**TECHNICAL DATA**

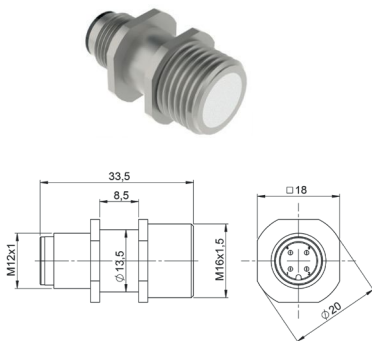
<b>Mounting</b>	incl. mounting clip for screw mounting, Ø 3 mm, see photo
<b>Casing</b>	stainless steel
<b>Dimensions/Weight</b>	33.5 x Ø 20 mm / approx. 25 g
<b>Fitting position</b>	variable
<b>Response time T<sub>63</sub></b>	2 min. (Temperature), 20 sec. (Humidity)
<b>Operating/Storage temperature</b>	-40 to +70 °C (-40 to +158 °F) / -40 to +85 °C (-40 to +185 °F)
<b>Operating/Storage humidity</b>	100 % RH / max. 90 % RH (non-condensing)
<b>Operating altitude</b>	≤ 4,000 m above sea level

Art. No.	Sensor	Temperature measuring range	Humidity measuring range	Connection	Protection type
07300.0-00	Temperature + relative Humidity	-40 to +70 °C (-40 to +158 °F) ±0.2 K	0 to 100 % RH ±2 %	M12 plug IEC 61076-2-101, 4-pin, A-coded	IP64



Photo: Mounting clip for screw mounting, Ø 3 mm (included)

**DIGITAL PLUG & CONNECT PRESSURE AND TEMPERATURE SENSOR SEN 073, IP64**



**TECHNICAL DATA**

<b>Mounting</b>	incl. mounting clip for screw mounting, Ø 3 mm, see photo
<b>Casing</b>	stainless steel
<b>Dimensions/Weight</b>	33.5 x Ø 20 mm / approx. 25 g
<b>Fitting position</b>	variable
<b>Response time T<sub>63</sub></b>	5 sec. (Absolute Pressure), 2.5 min. (Temperature)
<b>Operating/Storage temperature</b>	-40 to +70 °C (-40 to +158 °F) / -40 to +85 °C (-40 to +185 °F)
<b>Operating/Storage humidity</b>	100 % RH / max. 90 % RH (non-condensing)
<b>Operating altitude</b>	≤ 4,000 m above sea level

Art. No.	Sensor	Pressure measuring range <sup>1</sup>	Temperature measuring range <sup>2</sup>	Connection	Protection type
07301.0-00	Absolute Pressure + Temperature	300 to 1100 hPa	-40 to +70 °C (-40 to +158 °F)	M12 plug IEC 61076-2-101, 4-pin, A-coded	IP64

<sup>1</sup> Resolution: 0.1 hPa; Accuracy, absolute: ±1.7 hPa within temperature range -20 to 0 °C (-4 to +32 °F), ±1.0 hPa within temperature range 0 to +65 °C (+32 to +149 °F);  
<sup>2</sup> Resolution: 0,1 °C; Accuracy, absolute: ±1.0 °C within temperature range 0 to +65 °C (+32 to +149 °F), ±0.5 °C at +25 °C (+77 °F);

DIGITAL PLUG & CONNECT LIGHT SENSOR SEN 073



In 2021 we can also offer an ambient light sensor, measuring the intensity of visible light. The spectral response of the sensor will tightly match the photopic response of the human eye. Please contact us for more information.

Sensor	Illuminance range	Accuracy, relative	Connection
Visible Light	0.01 to 83,865 lx	0.2 %	M12 plug IEC 61076-2-101, 4-pin, A-coded

ACCESSORIES FOR DIGITAL PLUG & CONNECT SENSORS SEN 073

CABLES

These cables are needed for the connection of the IO-Link Sensor Hub SHC 071 and the digital Plug & Connect Sensors SEN 073 Temperature and Humidity IP64 (Art. No. 07300.0-00) and Pressure and Temperature IP64 (Art. No. 07301.0-00). The standard cable is 2.0 m long and fully assembled. Sensor cables in lengths of 5.0 m and 20.0 m can be ordered for individual adjustments of the cable length for an application.

Art. No.	Cable	Length	Connection
244445	Sensor cable with connector, interlocking, shielded	2.0 m	fully assembled with female M12 plug IEC 61076-2-101, 4-pin, A-coded, shielded
244446		5.0 m	for self-assembly, incl. female M12 plug IEC 61076-2-101, 4-pin, A-coded, shielded
244447		20.0 m	for self-assembly, incl. female M12 plug IEC 61076-2-101, 4-pin, A-coded, shielded

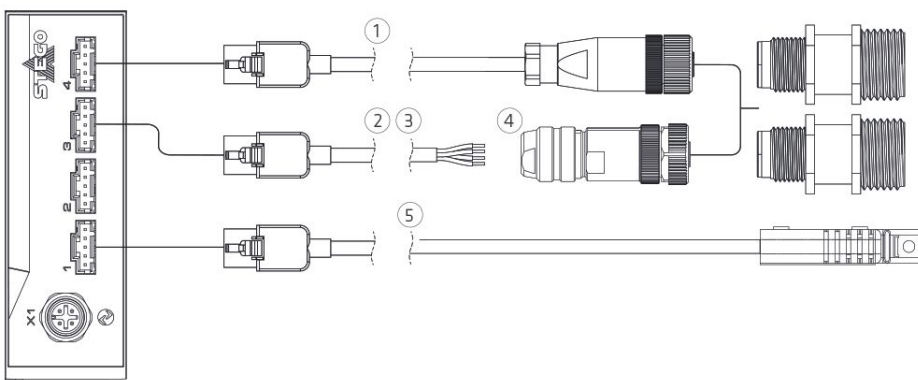


Photo: Fully assembled sensor cable with connector and female M12 plug, 2.0 m long (Art. No. 244445)



Photo: Sensor cable with connector incl. female M12 plug for self-assembly, 5.0 m long (Art. No. 244446) and 20.0 m long (Art. No. 244447)

CONNECTION EXAMPLE



The illustration shows the IO-Link Sensor Hub SHC 071 with different sensors and connection cables (from top down):  
 (1) Cable with connector and female M12 plug in 2.0 m length (Art. No. 244445)  
 (2) Cable with connector in 5.0 m length (Art. No. 244446) and (3) 20.0 m length (Art. No. 244447), each incl. (4) female M12 plug for self-assembly  
 (5) Temperature and Humidity Sensor SEN 073, IP20, in 1.0 m or 2.0 m cable length with connector

CONNECTION COMPARISON IO-LINK SENSOR HUB SHC 071 VS. IO-LINK SENSORS

Even with four external sensors connected, the Sensor Hub SHC 071 only uses one IO-Link Master port. This may possibly add a (cost) savings effect on the port capacities of the IO-Link Master. The illustrations also show that the cable lengths can be extended from 20 m to 2 x 20 m when using the Sensor Hub.

